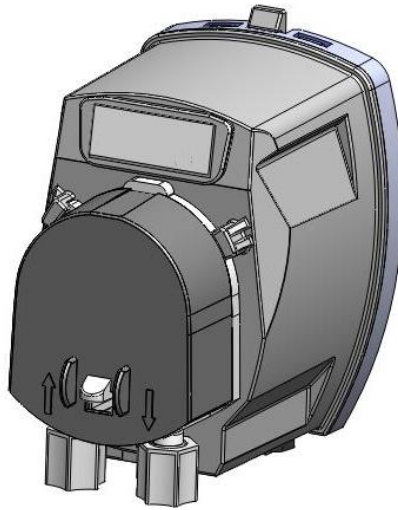


O-ADC DEMA SANITIZER PUMP



Overview

The O-ADC is an auxiliary 24 VDC powered pump designed to be used in conjunction with the Nitro and Nitro Express Ware Wash Dispensers. The O-ADC has convenient female spade connectors to connect to the control boards of these units. It comes with 10 feet of wire so that the pump can be mounted close to the sanitizer injection point.

Warnings



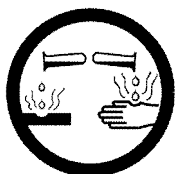
Installation of DEMA products must meet all applicable electrical codes and regulations established by national, city, county, parish, provincial or other agencies. It is possible that electrical codes and regulations require that a certified electrical contractor or engineer perform the electrical installation. For questions, contact a certified electrician.



ALL ELECTRICAL POWER MUST BE TURNED OFF TO THE DISPENSER AND TO THE APPLIED MACHINE.



All installations must conform to local plumbing codes and use approved backflow prevention devices. A pressure indicating tee is to be installed with existing faucets according to local plumbing codes in the state of Wisconsin and any other state that requires the use of a pressure indicating tee.



ALWAYS WEAR PROTECTIVE CLOTHING AND EYEWEAR WHEN WORKING WITH CHEMICAL PRODUCTS.

Specifications

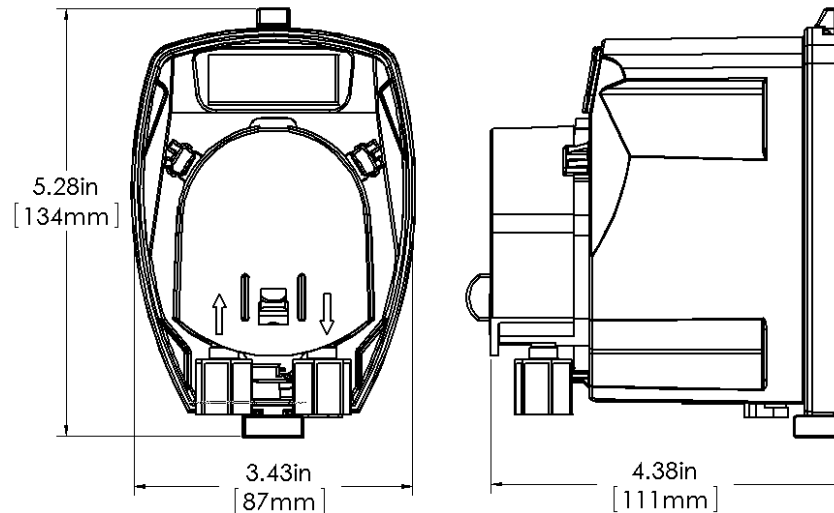
Packing List

Part Number	Description
81.290.1	0-ADC PUMP L/ACC
904.8KY	RINSE CHECK VALVE 1/4" COMP X 1/8" NPT KYNAR
30.41	SCREW AND ANCHOR KIT
81.312.2	SPLIT PICK UP TUBE STIFFENER
100.12.SV1	VINYL RINSE TUBING (16')
81.16.3	TIE WRAPS 8" LONG (4)
81.183.5	STRAIN RELIEF
I969	INST. SHEET

Operational Requirements

For indoor use only		
Main Power	24 VDC	
Enclosure Material	ABS	
Environmental Temp.	0-40°C	32-104°F
Product Weight	.45 kg	1.0 lbs
The integrity and operational characteristics of this unit are not guaranteed outside the above mentioned parameters. Use of this unit outside of these parameters nullifies warranty.		

Size



Other Replacement Kits of Interest

KIT NO.	DESCRIPTION
81.316.1	NITRO/NITRO EXPRESS POWER SUPPLY REPLACEMENT KIT
81.316.2	CONTROL BOARD NITRO EXPRESS FOR 2 PRODUCT (DETERGENT/RINSE)
81.316.3	CONTROL BOARD NITRO EXPRESS WITH SANITIZER (3 PRODUCT)
81.316.4	NITRO/NITRO EXPRESS DETERGENT PUMP CONVERSION OR REPLACEMENT KIT
81.316.10	NITRO/NITRO EXPRESS DETERGENT MOTOR ONLY REPLACEMENT KIT
81.316.6	NITRO/NITRO EXPRESS DETERGENT VALVE CONVERSION AND REPLACEMENT KIT
81.316.5	NITRO/NITRO EXPRESS RINSE PUMP REPLACEMENT KIT
81.316.11	NITRO/NITRO EXPRESS RINSE MOTOR ONLY REPLACEMENT KIT
81.316.7	NITRO/NITRO EXPRESS DETERGENT PUMP ONLY REPLACEMENT KIT
81.316.8	NITRO/NITRO EXPRESS RINSE PUMP ONLY REPLACEMENT KIT
L1115	MEMBRANE LABEL
81.223.1	MOUNTING BRACKET

Installation



WARNING: INSTALLATION OF DEMA PRODUCTS MUST MEET ALL APPLICABLE ELECTRICAL CODES AND REGULATIONS ESTABLISHED BY NATIONAL, CITY, COUNTY, PARISH, PROVINCIAL OR OTHER AGENCIES. IT IS POSSIBLE THAT ELECTRICAL CODES AND REGULATIONS REQUIRE THAT A CERTIFIED ELECTRICAL CONTRACTOR OR ENGINEER PERFORM THE ELECTRICAL INSTALLATION. FOR QUESTIONS, CONTACT A CERTIFIED ELECTRICIAN.

ALL ELECTRICAL POWER MUST BE TURNED OFF TO THE HEATING ELEMENTS AND DISH MACHINE PRIOR TO BEGINNING INSTALLATION

Mounting the Pump

1. Remove mounting bracket from the pump.
2. Mount the bracket in an appropriate place on a wall.
3. Slide the pump onto the bracket.

Connecting the Chemical Tubing to the Pump

1. After mounting the pump, measure the length of tubing needed to go from the pump to the chemical containers. The sanitizer tubing (100.12.SV1) is clear in color and has a small inside diameter.
2. Cut the tubing to the length required and, if desired, place the pickup tube on the tubing before placing in the chemical container.
3. Measure the length of tubing needed to go from the pump to the chemical injection point on the machine.
4. Cut the tubing to the length required to reach the chemical injection point on the machine.

Setting up the Pump and the Nitro/Nitro Express

1. Remove one of the hole plugs from the bottom of the Nitro or Nitro Express.
2. Run the wiring from the pump through the hole and use the strain relief in the packaging kit of the unit to hold the wire in place in the unit. Make sure enough wire is in the unit to hook the pump to the control board.
3. There is a dedicated place to connect the pump to the control board. Use the two female quick connects to connect to the spade connections labeled sanitizer. The black wire should be connected on the left or negative terminal and the red should be connected on the right or positive terminal.
4. For programming and setup, please refer to the instruction sheets for the Nitro Express (1974) or the Nitro (1980).

Clasp Close Pump Heads

The pump heads have an added feature which will help to ensure the pump head is installed properly. When pushing the pump head on be sure to see the clip is fully covering the notch as seen in the first picture. If the tab is not fully engaged, there is a possibility of it popping off the pump head as seen in the second picture.



Troubleshooting

Symptom	Probable Cause	Remedy
No power is being supplied to the unit	1. Power is not cycling on the machine properly.	1. Check with the dish machine manufacturer if all power should have been restored to the unit to see if there is an issue with the machine.
Pumps are not priming like they should be or not holding a prime	1. Hole in the tubing from the chemical container to the pump head. 2. Hole in the squeeze tube in the pump head. 3. Fitting is not tight on the tubing	1. Check the tubing from the chemical container to the pump head for leaks by feeling the tubing for chemical that has leaked out. Replace the tube if necessary. 2. Replace the squeeze tube after inspecting it for a possible hole or leak. 3. Check both the inlet and outlet fitting and tighten if necessary to create a good seal.
Rinse/Sanitizer pump not running	1. Speed turned off.	1. Check the programming to see the speed setting and make sure it is on the proper setting.

Warranty

Merchandise Returns

No Merchandise will be Returned for Credit Without DEMA'S Written Permission. Returned Merchandise Authorization Number is Required in Advance of Return.

Product Warranty

DEMA products are warranted against defective material and workmanship under normal use and service for one year from the date of manufacture. This limited warranty does not apply to any products that have a normal life shorter than one year or failure and damage caused by chemicals, corrosion, physical abuse, or misapplication. Rubber and synthetic rubber parts such as "o"-rings, diaphragms, PVC tubing, and gaskets are considered expendable and are not covered under warranty. This warranty is extended only to the original buyer of DEMA products. If products are altered or repaired without prior approval of DEMA, this warranty is void.

Defective units or parts should be returned to the factory with transportation prepaid. If inspection shows them to be defective, they will be repaired or replaced without charge, F.O.B. factory. DEMA assumes no liability for damages. Return merchandise authorization number must be granted in advance of returned units for repair or replacement (See "Merchandise Returns" above).