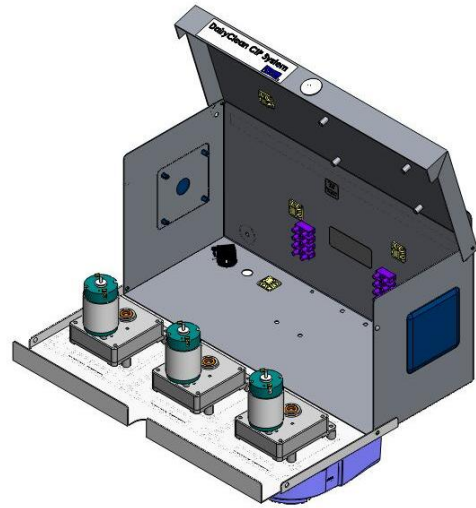
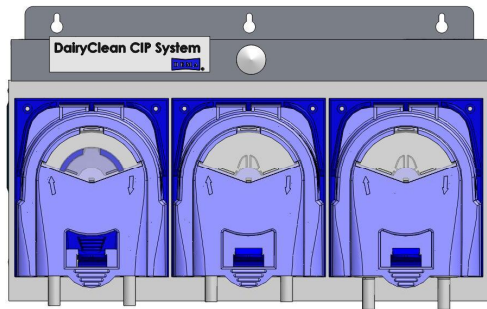


DC844 CIP SYSTEM NE UNITS

Installation Instruction



Overview

The DC844 NE units are designed to be used with CIP systems or as stand alone pump systems. The NE units have no electronics in them and are designed to be used with equipment that can provide the appropriate operation signal to the pump motors.

The unit includes three AC or DC motors that run peristaltic pumps. The motors are to be hooked into terminal blocks in the back of the unit then connected to the logic controller of your choice. The unit also comes with a lock and key set and conduit fittings to help enclose all wires being run into the unit.

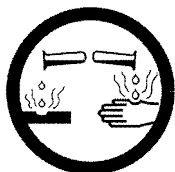
Warnings



Installation of DEMA products must meet all applicable electrical codes and regulations established by national, city, county, parish, provincial or other agencies. It is possible that electrical codes and regulations require that a certified electrical contractor or engineer perform the electrical installation. For questions, contact a certified electrician.



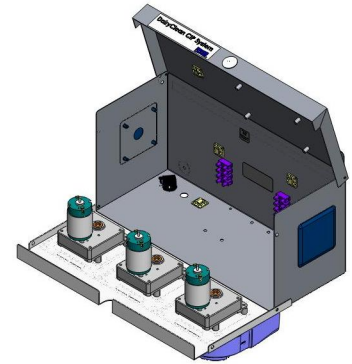
All installations must conform to local plumbing codes and use approved backflow prevention devices. A pressure indicating tee is to be installed with existing faucets according to local plumbing codes in the state of Wisconsin and any other state that requires the use of a pressure indicating tee.



ALWAYS WEAR PROTECTIVE CLOTHING AND EYEWEAR WHEN WORKING WITH CHEMICAL PRODUCTS.

Packing List

PART NO.	JG FITTING KIT	OPERATING VOLTAGE	AMPS	HERTZ
DC844.3JJJ.NE	84.176.3	24 VDC	1.5	
DC844.3PJJ.NE	84.175.8	24 VDC	1.5	
DC844.3PPP.NE	84.175.7	24 VDC	1.5	
DC844.2PP.NE	84.175.9	24 VDC	1.5	
DC844.1P.NE	84.175.10	24 VDC	1.5	
DC844.3PPP.230.NE	84.175.7	230 VAC		50/60
DC844.3PPP.120.NE	84.175.7	115 VAC		60 Hz
DC844-3JJJ-120-NE	84-175-3	115 VAC		60 Hz
DC844-3JJJ-230-NE	84-175-3	230 VAC		60 Hz
DC844-2PP-120-NE	84-175-9	115 VAC		60 Hz
DC844-2PP-230-NE	84-175-9	230 VAC		60 Hz
DC844-2JJ-NE	84-175-2	24 VDC	1.5	
DC844-2JJ-120-NE	84-175-2	115 VAC		60 Hz
DC844-2JJ-230-NE	84-175-2	230 VAC		60 Hz

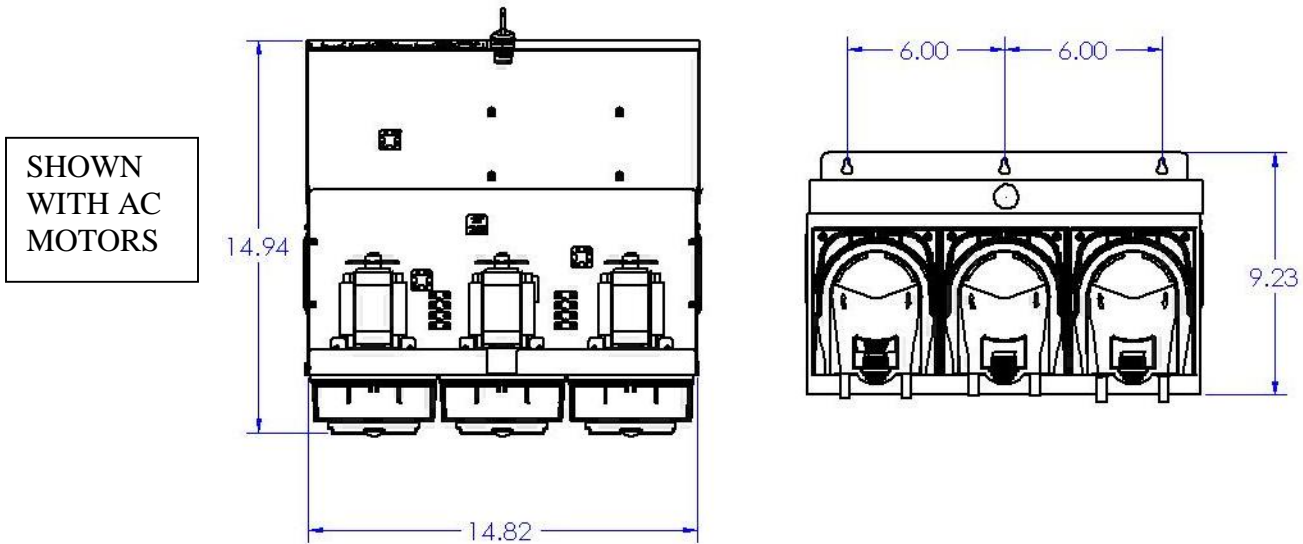


SHOWN WITH DC MOTORS

Ambient Temperature: 39°F - 122°F (4°C to 50°C)

Use the terminal block located inside the DC844 to connect motors to the controlling equipment. Refer to the above table for appropriate operational voltage.

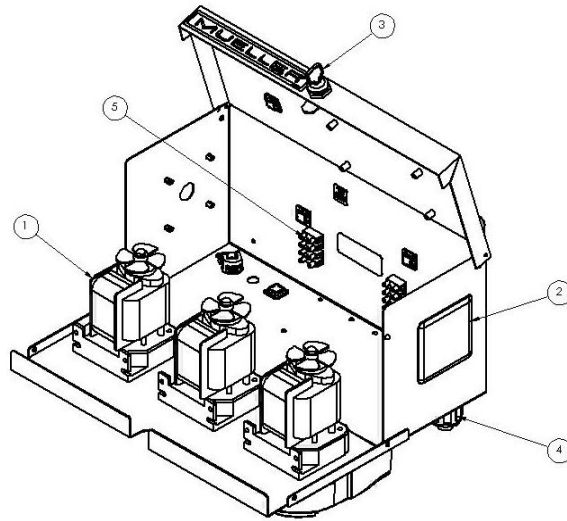
Overall Size



SHOWN WITH AC MOTORS

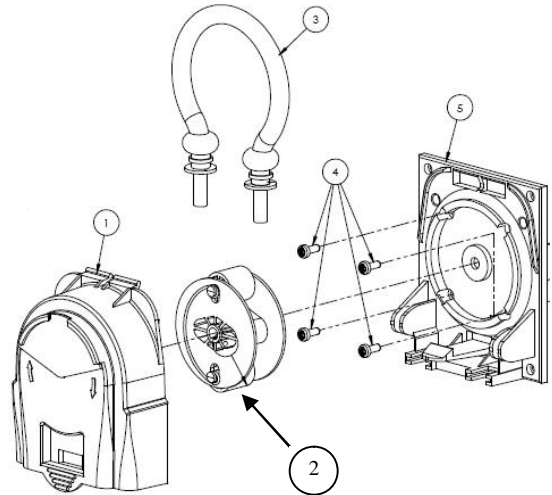
The two pictures show one of the case opened and one of the case closed to estimate the total space needed to service the case as well. The mounting hole pattern is shown as well.

Parts List



SHOWN
WITH AC
MOTORS

NO.	DEMA NO.	DESCRIPTION
1	81.289.230MK	230V AC 50/60HZ 60 RPM MOTOR
	80.59.105MK	24V DC 105 RPM GEAR MOTOR
2	81.122.1	PUMP BLANK PLUG
3	81.69	LOCK AND KEY SET
4	81.148.3	1/2" CONDUIT FITTING
5	81.15.4	BARRIER STRIPS



NO.	DEMA NO.	DESCRIPTION
1	84.209.1	PUMP COVER ASSEMBLY (P)
	81.174.1	PUMP COVER ASSEMBLY (J)
2	84.207.1	ROLLER BLOCK ASSEMBLY (P)
	81.172.1	ROLLER BLOCK ASSEMBLY (J)
3	84.208.1	SQUEEZE TUBE ASSEMBLY, EPDM (P)
	81.177.1	SQUEEZE TUBE ASSEMBLY, EPDM (J)
	84.208.3	SQUEEZE TUBE ASSEMBLY, SILICONE (P)
	81.177.4	SQUEEZE TUBE ASSEMBLY, SILICONE (J)
4	84.208.5	SQUEEZE TUBE ASSEMBLY, VITON (P)
	81.177.5	SQUEEZE TUBE ASSEMBLY, VITON (J)
4	25.85.2	10-32 X 1/2 SS PHIL SCREW
5	84.188.1	LARGE PUMP BASE (P)
	81.128.2	SMALL PUMP BASE (J)

Warranty

Merchandise Returns

No merchandise will be returned for credit without DEMA'S written permission. Returned Merchandise Authorization Number is required in advance of return.

Product Warranty

DEMA products are warranted against defective material and workmanship under normal use and service for one year from the date of manufacture. This limited warranty does not apply to any products that have a normal life shorter than one year or failure and damage caused by chemicals, corrosion, physical abuse, or misapplication. Rubber and synthetic rubber parts such as "o"-rings, diaphragms, PVC tubing, and gaskets are considered expendable and are not covered under warranty. This warranty is extended only to the original buyer of DEMA products. If products are altered or repaired without prior approval of DEMA, this warranty is void.

Defective units or parts should be returned to the factory with transportation prepaid. If inspection shows them to be defective, they will be repaired or replaced without charge, F.O.B. factory. DEMA assumes no liability for damages. Return merchandise authorization number must be granted in advance of returned units for repair or replacement (See "Merchandise Returns" above).