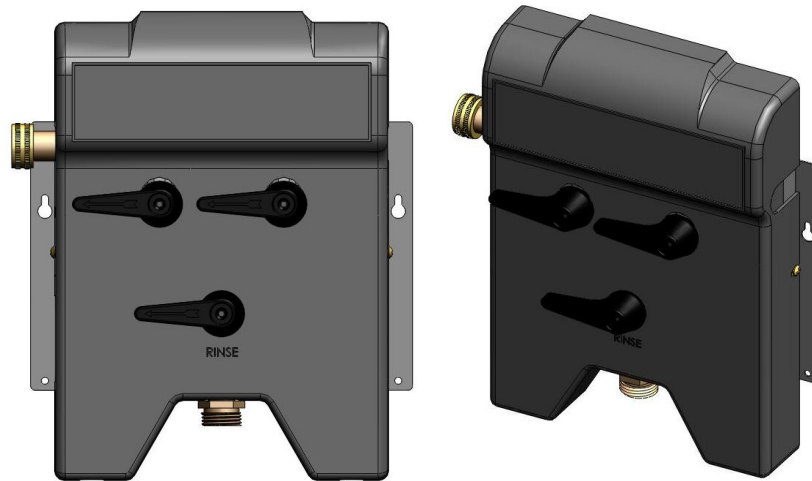


Spray Clean 606T-2 Installation Instruction



Overview

The 606T-2 unit is designed to be used as a spray or foam unit where up to two chemicals can be attached to the unit along with a clean water rinse.

This unit is very similar to the older 606T-2, but some of the internal parts have been enhanced to make servicing the unit easier as well as making the design more robust and hopefully causing fewer servicing issues.

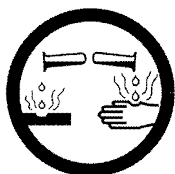
- Stainless steel manifolds for durability
- Polypropylene injector for chemical resistance
- O-ring connections to ease servicing of unit.

The unit features three ball valves for control of the water through the unit. The inlet and outlet connections are standard garden hose thread connections (3/4" Garden Hose Threads).

Warnings



All installations must conform to local plumbing codes and use approved backflow prevention devices. A pressure indicating tee is to be installed with existing faucets according to local plumbing codes in the state of Wisconsin and any other state that requires the use of a pressure indicating tee.



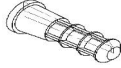
ALWAYS WEAR PROTECTIVE CLOTHING AND EYEWEAR WHEN WORKING WITH CHEMICAL PRODUCTS.

Packing List

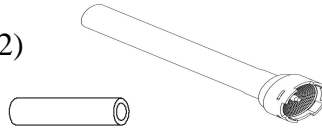
Mounting Screw (4)
66-53-4



Wall Anchor (4)
66-52



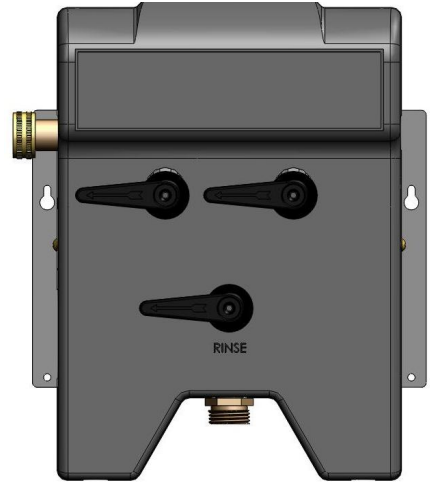
Tubing & Foot Strainer Assembly (2)
with Ceramic Weights (2)
61.130.1 with 61.107.2



Metering Tip Kit (1)
100.15K

Chemical Labels (1)
L806

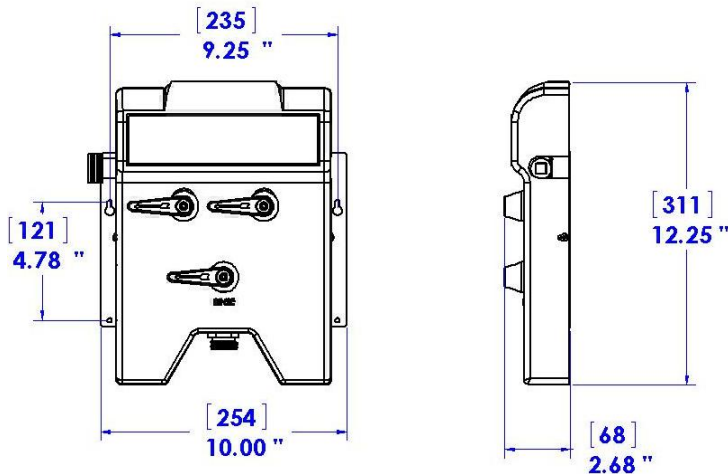
Spray Clean 606T-2 (1)



Operational Requirements

Operating Water Pressure:	20 psi to 120 psi (1.38 bar to 8.25 bar)
Flow Rate:	~2.8 gallons/minute (10.6L/M)
Maximum Chemical Suction Height:	6 feet (2 meters)
Water Temperature:	Up to 150°F (65°C)

Overall Size



Installation Instruction

1. MOUNTING THE SPRAY CLEAN:

1. Prepare the Spray Clean Site.
 - a) Ensure that the Spray Clean intake and outlet ports can reach the supply and outlet hoses.
 - b) The Spray Clean should be positioned no more than 6 ft (2 m) above the liquid chemical container.
2. Screw the Spray Clean Base into a wall or any stable vertical base using the screw and anchor kit provided.

2. INSTALLATION:

1. The water inlet is equipped with a female garden hose fitting. The fitting may be removed to permit direct connect to a 3/8" NPT pipe connection.
2. Position the liquid chemical containers no more than 6 ft beneath the unit and not positioned above the unit.
3. Measure the amount of Tubing you will need to connect from the chemical containers to the injectors and cut to length.
4. Check to insure that the suction tube is not bent.
5. Put the strainer end of the tube into the chemical container, put the ceramic weight on the tubing, and attach the other end to the Injector.

Operation Instruction

1. OPERATION:

- a. To operate the Spray Clean, ensure the water supply is turned on within the pressure and temperature range stated above.
- b. Select which chemical or the water rinse you are using, make sure to only have one of the valves open at one time.
- c. On the outlet connection make sure your hose is not longer than stated below in the table. If a nozzle is placed on the hose make sure it is not less than 4 GPM at 40 PSI.

Table 1

HOSE I.D.	3/8"	1/2"	5/8"
MAX. LENGTH	15 FT. (4.5 M)	50 FT. (15 M)	100 FT. (30 M)

- d. The chemical feed rate is controlled by metering tips which were included with the unit. The following table shows the various induction rates for differing viscosities of chemical with different metering tips.

**TABLE 2
METERING TIP SELECTION CHART
FLUID DILUTION RATIOS WITH METERING TIP KIT (100-15K)**

Metering Tip Color	Injection Rate for Viscosities Shown					
	1 cps		75 cps		200 cps	
	Oz/Gal	Ratio	Oz/Gal	Ratio	Oz/Gal	Ratio
Tan	0.40	320-1	0.25	512-1	0.20	640-1
Orange	0.50	256-1	0.35	366-1	0.25	512-1
Turquoise	0.70	183-1	0.50	256-1	0.35	366-1
Pink	0.95	135-1	0.65	197-1	0.45	284-1
Clear	1.30	98-1	0.80	160-1	0.55	233-1
Brown	1.50	85-1	0.90	142-1	0.60	213-1
Red	1.90	67-1	1.00	128-1	0.70	183-1
White	2.20	58-1	1.30	98-1	0.80	160-1
Green	2.60	49-1	1.50	85-1	0.90	142-1
Blue	3.20	40-1	1.75	73-1	1.00	128-1
Yellow	4.85	26-1	2.25	57-1	1.10	116-1
Black	6.50	20-1	2.40	53-1	1.15	111-1
Purple	9.20	14-1	2.70	47-1	1.20	107-1
Gray	10.40	12-1	2.85	45-1	1.25	102-1
No Tip	12.80	10-1	3.50	37-1	1.55	83-1

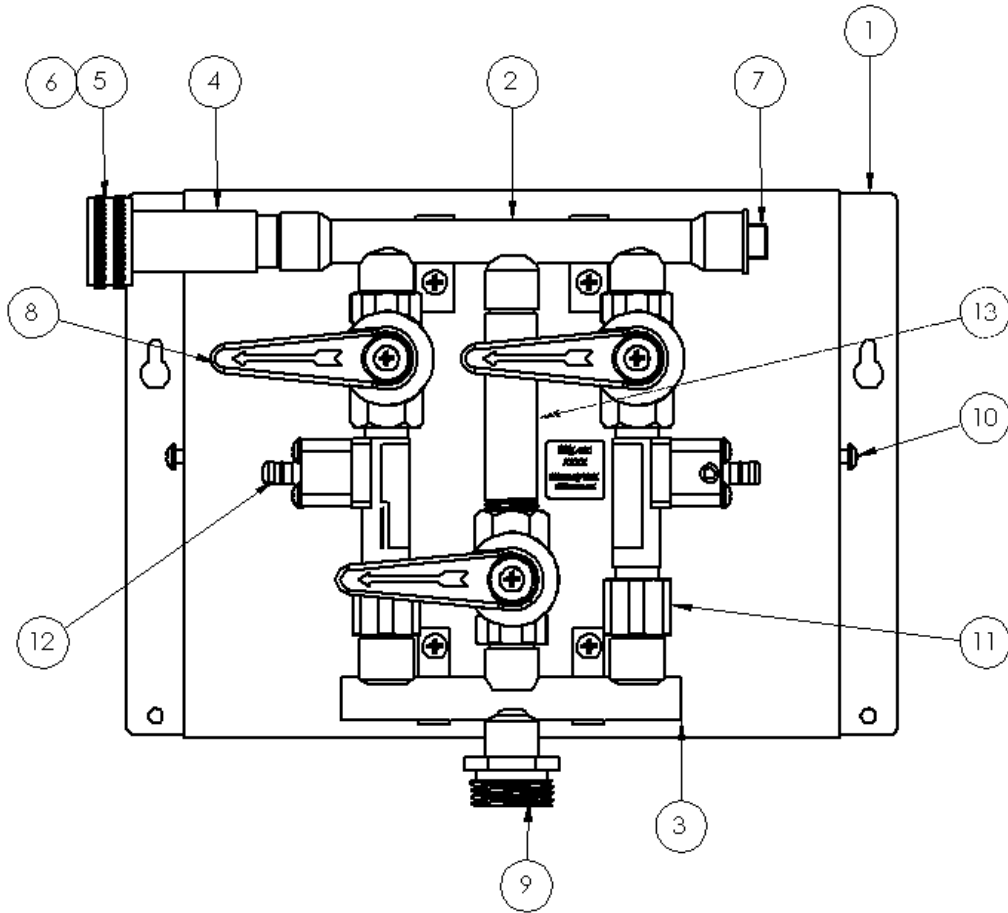
All injection ratios are based on 40 PSI inlet water pressure and a water flow rate of 2.8 GPM.
Note: Leaner dilutions are available using DEMA metering tip kit #100-15KU or capillary tip #44-61P

Troubleshooting

Be sure to turn off water supply before servicing

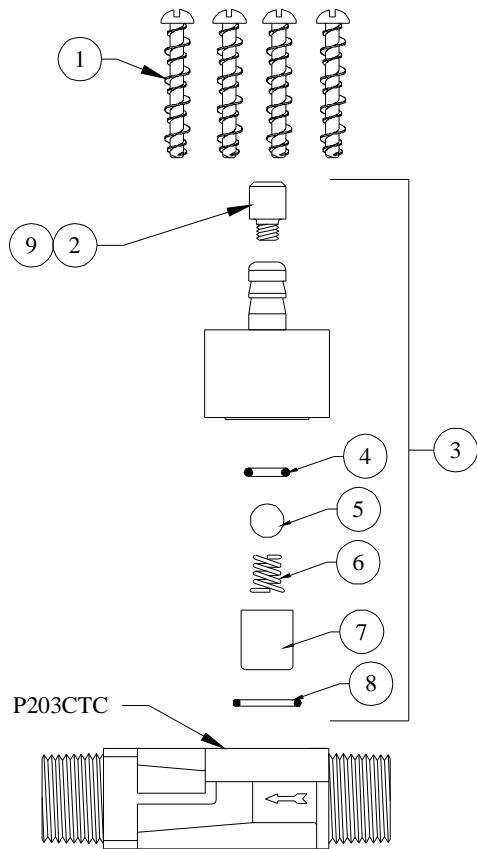
PROBLEM	CHECK	SOLUTION
Unit fails to draw chemical	<ol style="list-style-type: none"> Is more than one valve open? Is the outlet hose being used too long? Is the metering tip blocked Is the hose kinked? Is the gun or nozzle sized properly? 	<ol style="list-style-type: none"> Close all valves but the one being used. Check Table 1 on page 3 to see proper length needed. Remove metering tip and clear blockage. Undo the kink in the hose and check for other obstructions Take the gun or nozzle off and turn the water back on to see if it will draw chemical.
Unit stops drawing chemical	<ol style="list-style-type: none"> Is the foot strainer clogged with chemical or other debris? Is the spray nozzle partially clogged? Is the metering tip blocked? Is the injector check valve blocked? 	<ol style="list-style-type: none"> Removed the foot strainer and clean it Removed the spray nozzle and clean it. Removed the metering tip and clean the blockage. Remove the plastic metering knob from the injector to inspect the check valve ball, spring, and o-ring.

Parts list



NO.	QTY	PART NO.	DEMA NO.	DESCRIPTION
1	1	26755.1	60.57	BASE
2	1	28991.1		STAINLESS STEEL MANIFOLD UPPER
3	1	28992.1		STAINLESS STEEL MANIFOLD LOWER
4	1	27041.1	65.14	HOSE FITTING SWIVEL ADAPTER
5	1	24569.1	65.1	SWIVEL COUPLING
6	1	21777.1	100.38	STRAINER WASHER
7	1	X26357.1	66.153	PIPE PLUG & O-RING ASSEMBLY
8	3	26764.1		VALVE KNOB
9	1	26326.1	65.18.1	ADAPTER 3/4" MGHT X 3/8 NPT
10	6	26968.1	60.67.1	SCREW #8 X 1/2" PH
11	1	X29033.1	60.76.1	RIGHT SIDE INJECTOR ASSY
12	1	X29033.2	60.76.2	LEFT SIDE INJECTOR ASSY
13	1	X29034.1	60.77	CENTER BALL VALVE ASSY

P203CTC INJECTOR BREAKDOWN



NO.	PART NO.	DESCRIPTION
1	24-67	Screw (4 Required)
2	100-15-	Metering Tip (Specify Color)
3	24-62-SP	Check Valve Repair Kit
4	25-25S	O-Ring, 7/32 X 11/32 X 1/16 (Silicone)
5	24-24P	Check Valve Ball (Teflon)
6	24-23-2	Check Valve Spring
7	24-34-7	Check Valve Core
8	25-29S	O-Ring 3/8 X 1/2 X 1/16 (Silicone)
9	100-15K	Metering Tip Kit

Warranty

Merchandise Returns

No Merchandise will be Returned for Credit Without DEMA'S Written Permission. Returned Merchandise Authorization Number is Required in Advance of Return.

Product Warranty

DEMA products are warranted against defective material and workmanship under normal use and service for one year from the date of manufacture. This limited warranty does not apply to any products that have a normal life shorter than one year or failure and damage caused by chemicals, corrosion, physical abuse, or misapplication. Rubber and synthetic rubber parts such as "o"-rings, diaphragms, PVC tubing, and gaskets are considered expendable and are not covered under warranty. This warranty is extended only to the original buyer of DEMA products. If products are altered or repaired without prior approval of DEMA, this warranty is void.

Defective units or parts should be returned to the factory with transportation prepaid. If inspection shows them to be defective, they will be repaired or replaced without charge, F.O.B. factory. DEMA assumes no liability for damages. Return merchandise authorization number must be granted in advance of returned units for repair or replacement (See "Merchandise Returns" above).