

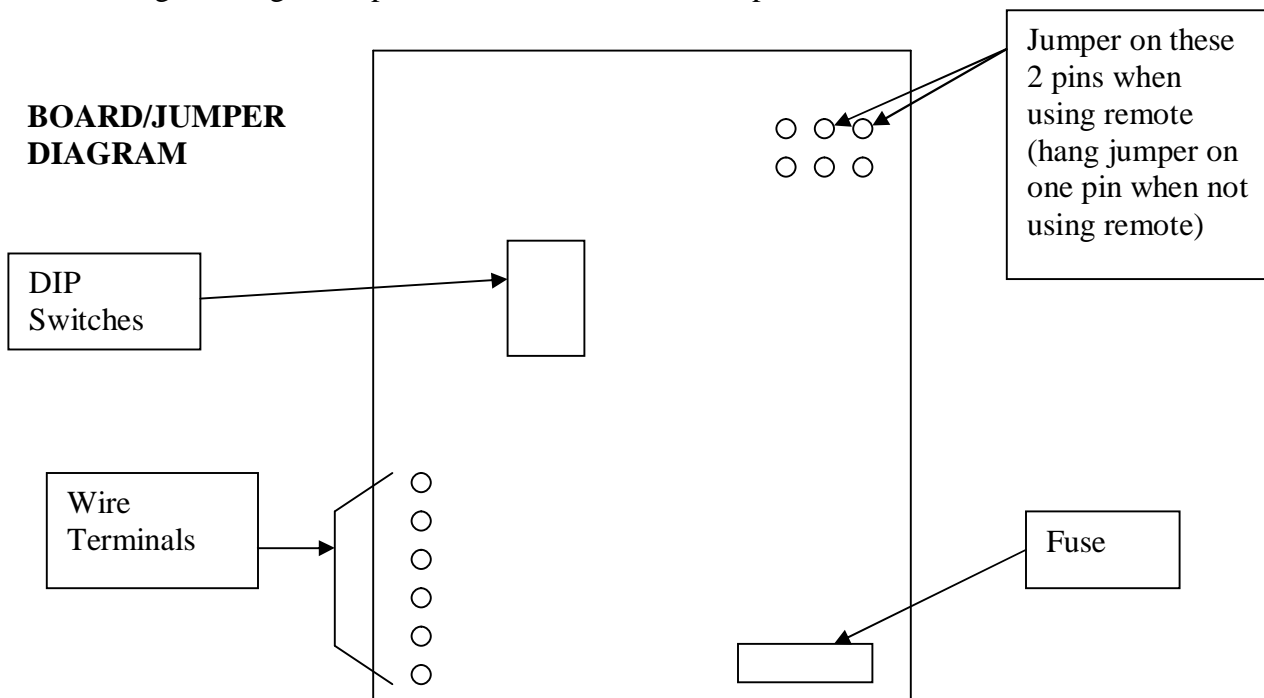
## 83-R1 & 83-R2 DEMA Single Product Laundry Remote Conversion Kit

This kit is designed to convert an existing DEMA Single Product Laundry Master 830/831 to use DEMA's new remote control module.

**All installations must be in accordance with city, county, state or provincial electrical codes and be performed by a certified electrician. It is recommended to use a local licensed electrical contractor for the installation of this product.**

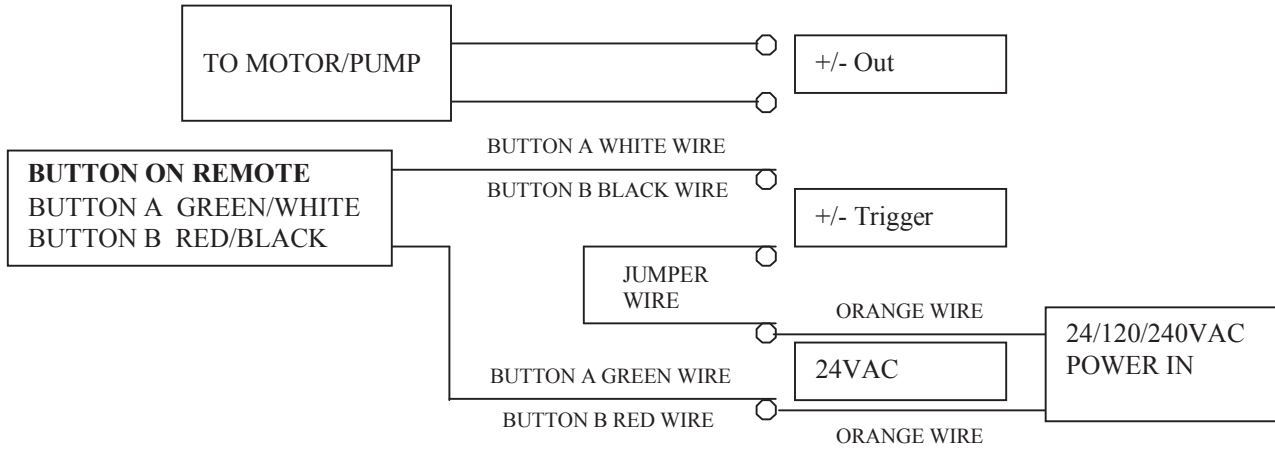
**All electrical power must be turned off to the laundry machine and any other circuits that will be used for this installation. Lockout and tag procedures must be observed when installing this device. Never open the DEMA Laundry Master while power is applied. Signals may be active from laundry machine, even with the DEMA Laundry Master power turned off. Use appropriately rated insulated wiring, electrical fixtures and other materials that meet all applicable electrical and building codes.**

1. Remove the existing control board from the enclosure. This includes removing the modular terminal connector and the 3 screws that mount the board. Do not discard screws, these will be required for the new control board.
2. Assemble the new control board to the enclosure. It will mount identically to the old board. The modular terminal connector will slip over the pins on the new board.
3. If there is an existing remote wired to the system, remove it's wiring from the modular connector and pull the cable assembly out of the enclosure.
4. Attach the new remote, making sure to run the cable through the strain relief in the enclosure. The remote should be wired as per the wiring diagram on this instruction sheet. Also see photo diagram for switch wire color code. There is an extra strain relief included in this kit.  
**Note:** It should be noted that the two-button remote control has the ability to operate two control boards. The wiring diagram illustrates one switch from the remote.
5. The jumper on the six-pin header on the board should be in the position as shown in Board/Jumper diagram on this instruction sheet.
6. Mount the DEMA remote to the desired location using the self-adhesive velcro supplied in this kit.
7. See Programming and Operation Section for final setup.



# 83-R1 & 83-R2 DEMA Single Product Laundry Remote Conversion Kit

## SINGLE PRODUCT LAUNDRY BOARD TERMINAL CONNECTIONS AND WIRING DIAGRAM



83-R1



BUTTON B  
RED/BLACK WIRES

BUTTON A  
GREEN/WHITE WIRES

83-R2



# 83-R1 & 83-R2 DEMA Single Product Laundry Remote Conversion Kit

## PROGRAMMING AND OPERATION

### Programming

Determine the amount of product to be dispensed before programming the Laundry Master. To assure that a specific application is satisfied it is recommended to measure the output by using a graduated cylinder.

Press and hold the “PROG/PRIME” button to activate the programming function. The “CHARGE” light will illuminate. Continue holding the button for about 8 seconds until charge light goes out, turns on, and then begins flashing. Release the button.

The “CHARGE” light will continue to flash. The delay time is now being remembered. The delay time will be from the time the “CHARGE” light began flashing until the “PROG/PRIME” button is pressed again. This time can be set between 0 and 4 minutes 15 seconds.

When the button is pressed to end the delay time, the pump will begin to run. Allow Laundry Master to pump for the desired amount of time. Push the “PROG/PRIME” button to set that amount of time and exit the programming function. The minimum amount of time is 10 seconds and the maximum amount of time is 4 minutes and 15 seconds.

### Lockout Time

The lockout time can be set so that the Single Product Laundry board will only operate once during the time that is set. The lockout time is set via four DIPswitches found on the control board inside the Laundry Master enclosure. Once a signal is received to the board the unit will begin the timer.

Lockout Time	Switch 1	Switch 2	Switch 3	Switch 4
0 Minutes	OFF	OFF	OFF	OFF
5 Minutes	ON	OFF	OFF	OFF
10 Minutes	OFF	ON	OFF	OFF
15 Minutes	ON	ON	OFF	OFF
20 Minutes	OFF	OFF	ON	OFF
25 Minutes	ON	OFF	ON	OFF
30 Minutes	OFF	ON	ON	OFF
35 Minutes	ON	ON	ON	OFF
40 Minutes	OFF	OFF	OFF	ON
45 Minutes	ON	OFF	OFF	ON
50 Minutes	OFF	ON	OFF	ON
55 Minutes	ON	ON	OFF	ON
60 Minutes	OFF	OFF	ON	ON
65 Minutes	ON	OFF	ON	ON
70 Minutes	OFF	ON	ON	ON
75 Minutes	ON	ON	ON	ON

# 83-R1 & 83-R2 DEMA Single Product Laundry Remote Conversion Kit

## Testing the Program

Pressing and holding the “PROG/PRIME” button activates the test function. The “CHARGE” light will illuminate. Continue holding the button for about five seconds until charge light goes out. Release the button. Then press and release “PROG/PRIME” button within ½ second. The “CHARGE” light will illuminate indicating the program is running. It will stay illuminated for the delay time. The light will be illuminated and the pump will run for the programmed time. The lockout time will be ignored at the end of the test.

## Priming

The prime function will run the pump for the length of time that the “PROG/PRIME” button is pressed. This function is used to prime empty suction and discharge tubing. Pressing and holding the “PROG/PRIME” button activates the prime function. The “CHARGE” light will illuminate. Continue holding the button for about five seconds until charge light goes out. Release the button. Then press and hold “PROG/PRIME” button for as long as needed to prime the pump and tubing.

## Operation

- Remote – Press and release the button on the remote control. The Laundry Master will run its programmed dispensing time.
- Automatic (trigger signal from the laundry machine) – simply run the laundry machine and the Laundry Master will react to the signal it receives from the laundry machine.

## Return Policy

No merchandise may be returned for credit without DEMA Engineering Company’s written permission. Return Merchandise Authorization (RMA) number required in advance of return.

## Warranty

DEMA products are warranted against defective material and workmanship under normal use and service for one year from the date of manufacture. This limited warranty does not apply to products that have a normal life shorter than one year or failure and damage caused by chemicals, corrosion, improper voltage supply, physical abuse or misapplication. Rubber and synthetic parts such as “O”-rings, diaphragms, squeeze tubing and gaskets are considered expendable and are not covered under warranty. This warranty is extended only to the original buyer of DEMA products. If products are altered or repaired without prior approval of DEMA, this warranty will be void.

*Defective units or parts should be returned to the factory with transportation prepaid. If inspection shows them to be defective, they will be repaired or replaced without charge. F.O.B. factory DEMA assumes no liability for damages. Return merchandise authorization number to return units for repair or replacement must be granted in advance of return.*