

DEMA 161 FLUID MIXER INSTALLATION INSTRUCTIONS

The Dema 161 Fluid Mixer has been designed to mix cutting and grinding fluids at the recommended dilution - straight from the barrel without any additional pumps, air supplies or electric power.

1. PARTS:

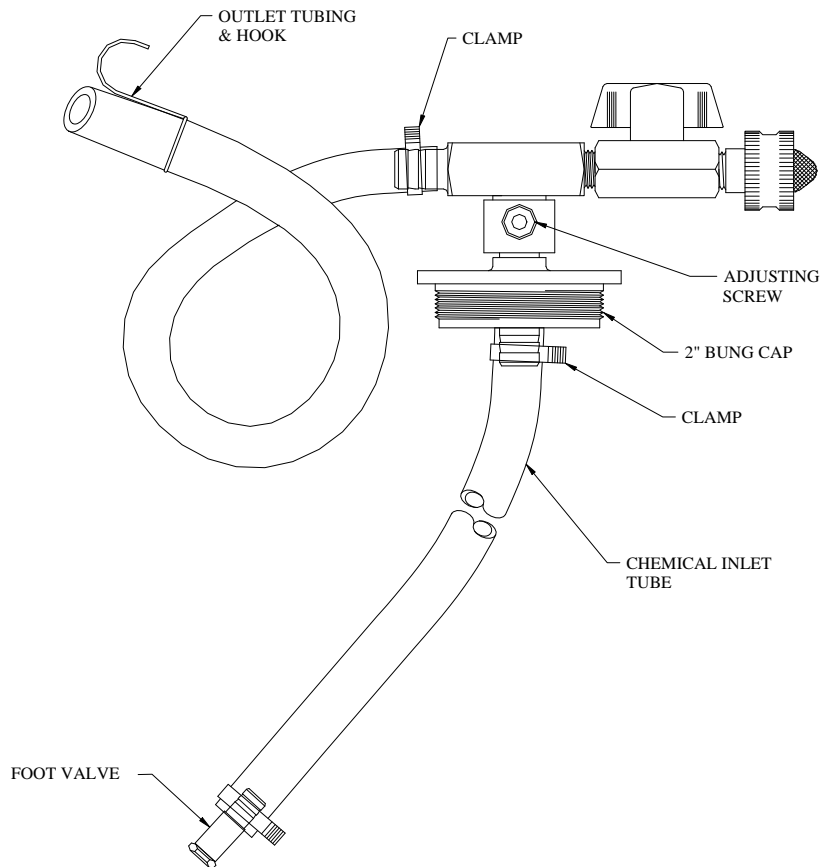
- A. Fluid Mixer and valve assembly.
- B. Suction tube and foot valve assembly.
- C. Discharge tube assembly.
- D. Strainer washer.
- E. 2 pcs. Hose clamps.

2. INSTALLATION:

The unit is supplied with a garden hose inlet; run a garden hose from the water supply to the inlet fitting. Attach the vinyl tubing with foot valve to the hose fitting under bung cap and install the hose clamp. Drop tubing into drum and screw bung cap onto drum. Attach end of vinyl discharge tubing with priming ring to proportioner outlet and install the hose clamp. Note: Soaking end of vinyl tubing in hot water will facilitate assembly (See Figure 1).

3. OPERATION:

Turn on the water supply; use the ball valve on Fluid Mixer to turn water on and off. The adjusting screw on the side of the Fluid Mixer is used to set dilution ratios, backing the screw out (counterclockwise) for stronger solutions and turning it (clockwise) for weaker solutions. See Table 1 for maximum dilution ratios.



3. OPERATION:

Turn on the water supply; use the ball valve on Fluid Mixer to turn water on and off. The adjusting screw on the side of the Fluid Mixer is used to set dilution ratios, backing the screw out (counterclockwise) for stronger solutions and turning it (clockwise) for weaker solutions. See Table 1 for maximum dilution ratios.

Table 1 (Maximum Injection Rates)

| | | | | | |
|---------------|-----|----|-----|-----|------|
| Viscosity CPS | 1 | 75 | 220 | 500 | 1500 |
| Oz/Gal. | 105 | 80 | 55 | 25 | 10 |

With an inlet water pressure of 40 PSI the discharge flow rate is 2.2GPM.

4. SERVICING:

- I. Failure to draw-up chemical.
 - A. Low water pressure. At least 15 psi is required.
 - B. Priming ring not in place in outlet tubing. See Figure 1.
 - C. Chemical inlet blocked. Back off adjusting screw. Remove Fluid Mixer and examine foot valve. Flush Fluid Mixer and foot valve in hot water.
 - D. Lime deposits in Fluid Mixer. Remove and soak in deliming solution (weak acid).
- II. Injection continues after water is turned off.
 - A. Raise outlet tubing and hook onto drum to stop siphoning.

IMPORTANT:

The correct connection, installation and use of these units with regard to any prevailing local rules, standards or conditions is the responsibility of the user.

DEMA 161 FLUID MIXER INSTALLATION INSTRUCTIONS

RETURNS:

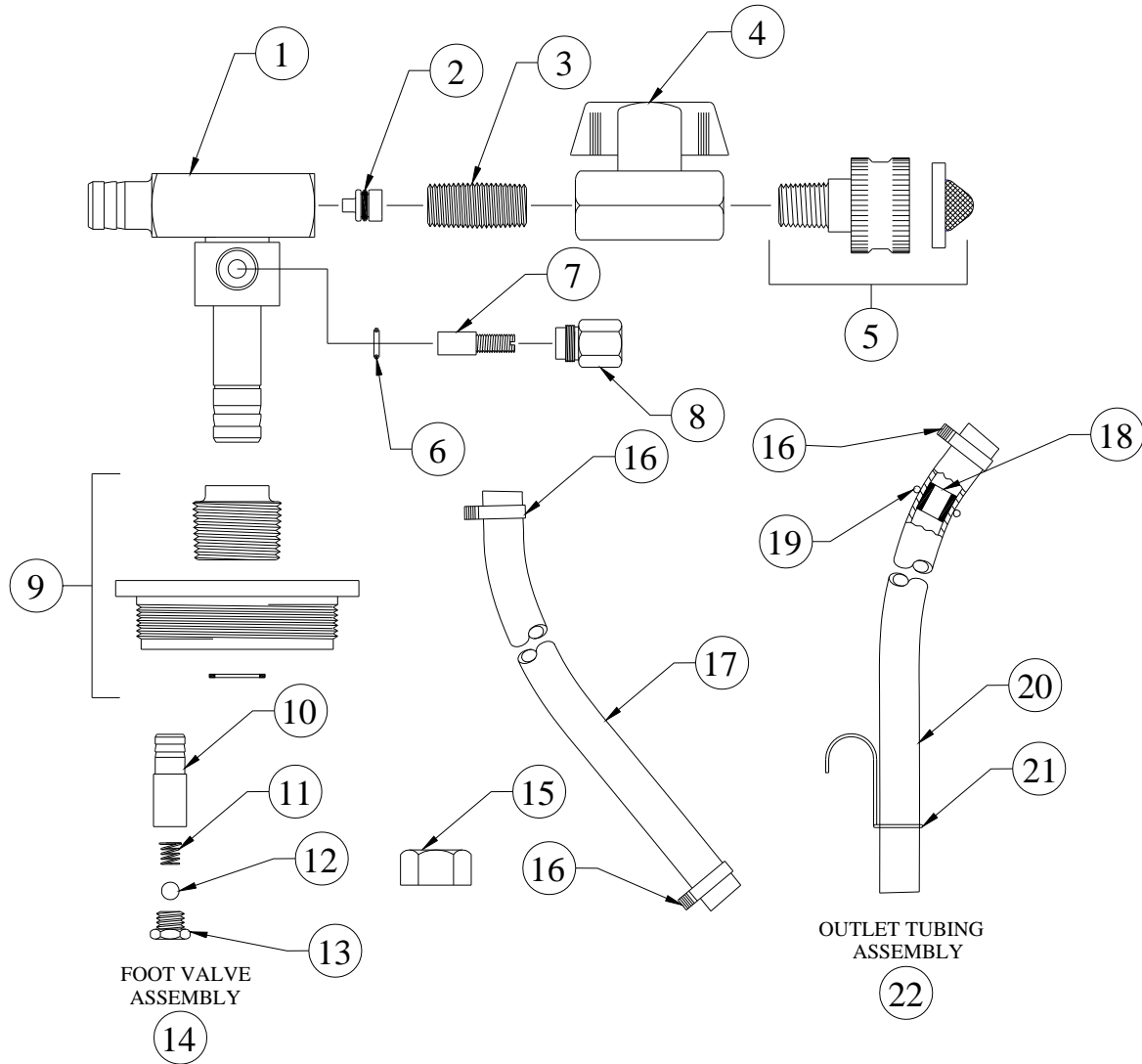
*NO MERCHANDISE MAY BE RETURNED FOR CREDIT WITHOUT DEMA'S WRITTEN PERMISSION.
RETURN MERCHANDISE AUTHORIZATION NUMBER REQUIRED IN ADVANCE OF RETURN.*

WARRANTY:

DEMA products are warranted against defective material and workmanship under normal use and service for one year from the date of manufacture. This limited warranty does not apply to any products which have a normal life shorter than one year or failure and damage caused by chemicals, corrosion, improper voltage supply, physical abuse, or misapplication. Rubber and synthetic rubber parts such as "o"- rings, diaphragms, squeeze tubing and gaskets are considered expendable and are not covered under warranty. This warranty is extended only to the original buyer of DEMA products. If products are altered or repaired without prior approval of DEMA, this warranty will be void.

Defective units or parts should be returned to the factory with transportation prepaid. If inspection shows them to be defective, they will be repaired or replaced without charge, F.O.B. factory. DEMA assumes no liability for damages. Return merchandise authorization number, to return units for repair or replacement, must be granted in advance of return.

DEMA 161 FLUID MIXER INSTALLATION INSTRUCTIONS



| NO. | QTY. | PART NO. | DESCRIPTION |
|-----|------|----------|---------------------------------------|
| 1 | 1 | 72-4 | Injector Body Assy. |
| 2 | 1 | 72-5 | Water Nozzle & O-Ring |
| 3 | 1 | 72-9 | 1/4" NPT Close Nipple |
| 4 | 1 | 16-11 | Ball Valve |
| 5 | 1 | 16-1 | Coupling & Strainer Washer |
| 6 | 1 | 26-17 | O-Ring |
| 7 | 1 | 24-39 | By-Pass Screw |
| 8 | 1 | 24-40 | By-Pass Retainer |
| 9 | 1 | 16-7-2 | 2" Bung Cap w/Collar & Retaining Ring |
| 10 | 1 | 72-2 | Foot Valve Body |
| 11 | 1 | 100-49 | Spring |

| NO. | QTY. | PART NO. | DESCRIPTION |
|-----|------|----------|------------------------|
| 12 | 1 | 93-10 | Rubber Ball (Buna-N) |
| 13 | 1 | 73-2 | Foot Valve Seat |
| 14 | 1 | 72-1 | Foot Valve Assembly |
| 15 | 1 | 72-15 | Nut (Tubing Weight) |
| 16 | 3 | 16-9 | Hose Clamp |
| 17 | 1 | 72-11 | Suction Tubing |
| 18 | 1 | 72-7 | Priming Ring |
| 19 | 1 | 72-8 | Retaining Spring |
| 20 | 1 | 16-3 | Outlet Tubing |
| 21 | 1 | 16-4 | Outlet Tubing Hanger |
| 22 | 1 | X23932-1 | Outlet Tubing Assembly |