

DEMA MODEL 162-3

DRUM MOUNTED PROPORTIONER

INSTALLATION INSTRUCTIONS

1. PARTS

- A. Proportioner Assembly
- B. Outlet tubing with hook
- C. Supply tubing with foot valve and ceramic weight.
- D. Tubing clamps.
- E. Metering Tip Kit

2. INSTALLATION

This product is designed only to be used as described in this instruction sheet. Adhere to all warnings and cautions identified in this document.



WARNING: Installations must conform to all local and national plumbing codes and use approved backflow prevention and pressure relief devices where required.

ALWAYS DISCONNECT DISPENSER FROM WATER SOURCE WHEN DISPENSER IS NOT IN USE.



Always read SDS for all chemicals used and follow personal protective guidelines.

Slide ceramic weight over vinyl tubing with foot valve. Attach tubing to hose fitting under bung cap and secure with tubing clamp. The ceramic weight keeps the foot valve submerged in the chemical. Screw bung cap into drum opening. Water inlet is garden hose swivel. Use high grade garden hose (Dema part 44-3 is 25 ft. of 2 $\frac{1}{2}$ I.D. hose.). Attach vinyl tubing to proportioner outlet. Secure tubing with plastic clamp. Hook tubing to lip of drum when not in use.

3. OPERATION

Turn on water supply. Use ball valve to control water flow. Discharge is 4.5 GPM at 40 psi with ball valve fully open.

4. ADJUSTMENT

WARNING: USE CARE WHEN HANDLING HAZARDOUS CHEMICALS.

Chemical feed rates are controlled by metering tips screwed into the proportioner barb. Select a tip using the table as a guide. Tips are identified by color.

DEMA MODEL 162-3

DRUM MOUNTED PROPORTIONER

INSTALLATION INSTRUCTIONS

Note: 1 cps (centipoise) is the viscosity of water, 75 cps is approximately equal to the viscosity of a 10 weight motor oil, and 200 cps is approximately equal to the viscosity of most dishwashing detergents.

	INJECTION RATE		
	1 cps Oz/Gal	75 cps Oz/Gal	200 cps Oz/Gal
Clear	0.50	0.25	0.20
Purple	0.65	0.40	0.30
Yellow	1.00	0.75	0.60
Green	1.50	1.25	1.00
Pink	2.00	1.60	1.30
Turquoise	3.00	2.65	2.20
Black	4.00	3.30	2.75
Gray	5.25	4.25	3.40
Red	6.60	5.30	4.00
Blue	7.60	6.35	4.60
Brown	10.00	8.00	5.00
White	12.60	9.00	5.75
Orange	16.00	12.25	6.5
No Tip	30.00	18.00	8.00

5. SERVICING

CAUTION: Turn off water supply before servicing.

- A. Failure to inject chemical
 - a. Low water pressure. At least 10 psi is required.
 - b. Detergent passage clogged. Remove proportioner and soak in hot water
 - c. Foot valve clogged. Soak in hot water.
 - d. Lime deposits in water passages. Remove proportioner and soak in deliming solution.

- B. Injection continues after water is turned off:
 - a. Raise outlet tubing and hook onto drum lid to stop siphoning action.
 - b. If it is not practical to hook up outlet tubing, pierce a 1/16" dia. hole through the top of the vinyl tube just as it leaves the barb.
(Note: This might cause excessive sudsing.)

CAUTION: When servicing unit, be sure that replacement parts have been installed according to drawing.

DEMA MODEL 162-3

DRUM MOUNTED PROPORTIONER

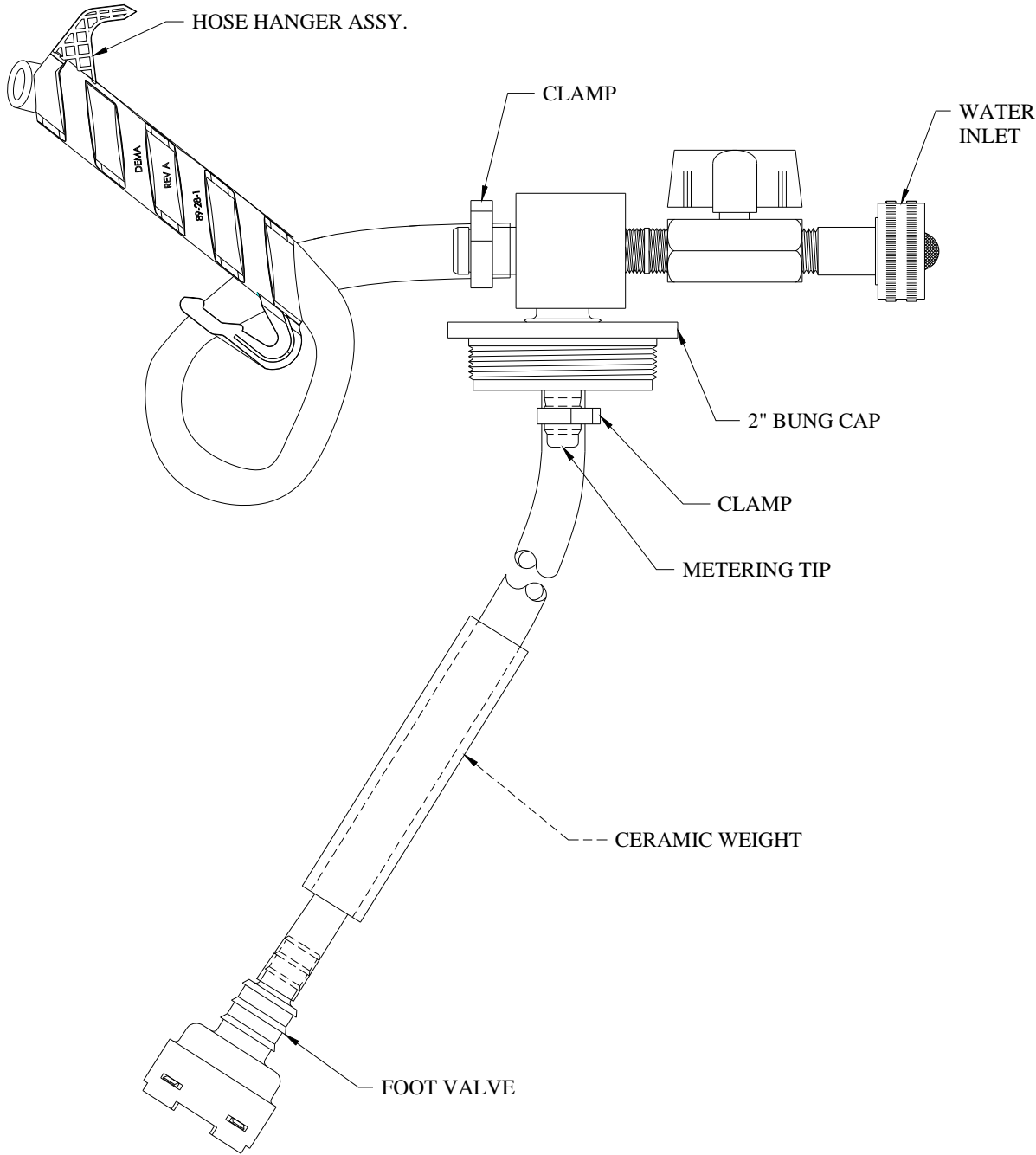
INSTALLATION INSTRUCTIONS

RETURNS: NO MERCHANDISE MAY BE RETURNED FOR CREDIT WITHOUT DEMA'S WRITTEN PERMISSION. RETURN MERCHANDISE AUTHORIZATION NUMBER REQUIRED IN ADVANCE OF RETURN.

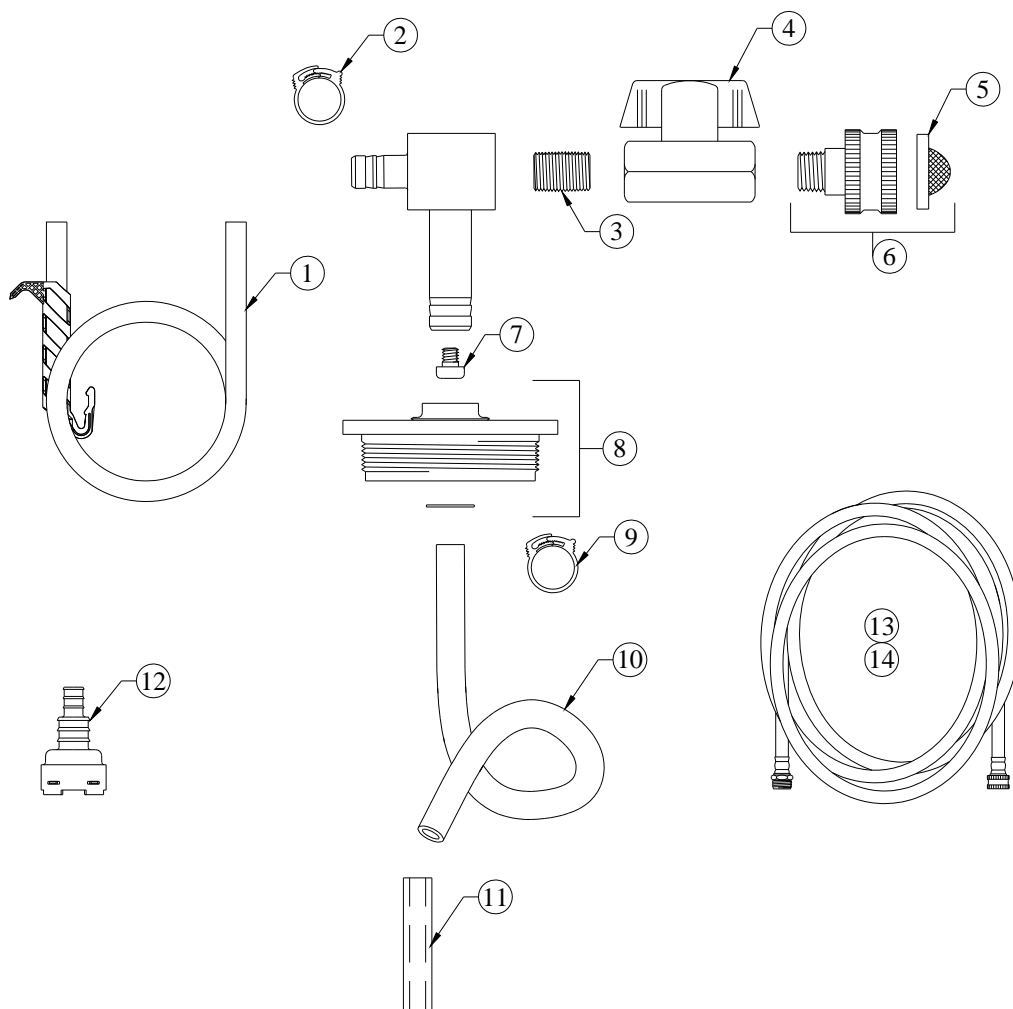
WARRANTY: DEMA products are warranted against defective material and workmanship under normal use and service for one year from the date of manufacture. This limited warranty does not apply to any products which have a normal life shorter than one year or failure and damage caused by chemicals, corrosion, improper voltage supply, physical abuse, or misapplication. Rubber and synthetic rubber parts such as "o"-rings, diaphragms, squeeze tubing and gaskets are considered expendable and are not covered under warranty. This warranty is extended only to the original buyer of DEMA products. If products are altered or repaired without prior approval of DEMA, this warranty will be void.

Defective units or parts should be returned to the factory with transportation prepaid. If inspection shows them to be defective, they will be repaired or replaced without charge, F.O.B. factory. DEMA assumes no liability for damages. Return merchandise authorization number, to return units for repair or replacement, must be granted in advance of return.

DEMA MODEL 162-3 DRUM MOUNTED PROPORTIONER INSTALLATION INSTRUCTIONS



DEMA MODEL 162-3 DRUM MOUNTED PROPORTIONER INSTALLATION INSTRUCTIONS



NO.	PART NO.	DESCRIPTION
1	89-30-5	Hose Hanger and Hose Assembly
2	16-9	Tubing Clamp – Plastic (1/2" ID Tubing)
3	16-8	1/4" NPT Pipe Nipple
4	16-11	1/4" NPT Ball Valve
5	100-38	Strainer Washer
6	16-1	Coupling & Strainer Washer
7	61-9K	Metering Tip Kit
8	16-7	Bung Top & Retainer Ring

NO.	PART NO.	DESCRIPTION
9	16-9-2	Tubing Clamp – Plastic (3/8" ID Tubing)
10	100-12LS	Supply Tubing – 3/8" ID x 3 1/2' Lg.
11	61-107	Ceramic Weight for 3/8" ID Tubing
12	100-16E	Diaphragm Foot Valve - EPDM

ACCESSORIES

NO.	PART NO.	DESCRIPTION
13	44-3	Rubber Hose – 1/2" ID x 25'
14	44-3-6	Rubber Hose – 1/2" ID x 6'