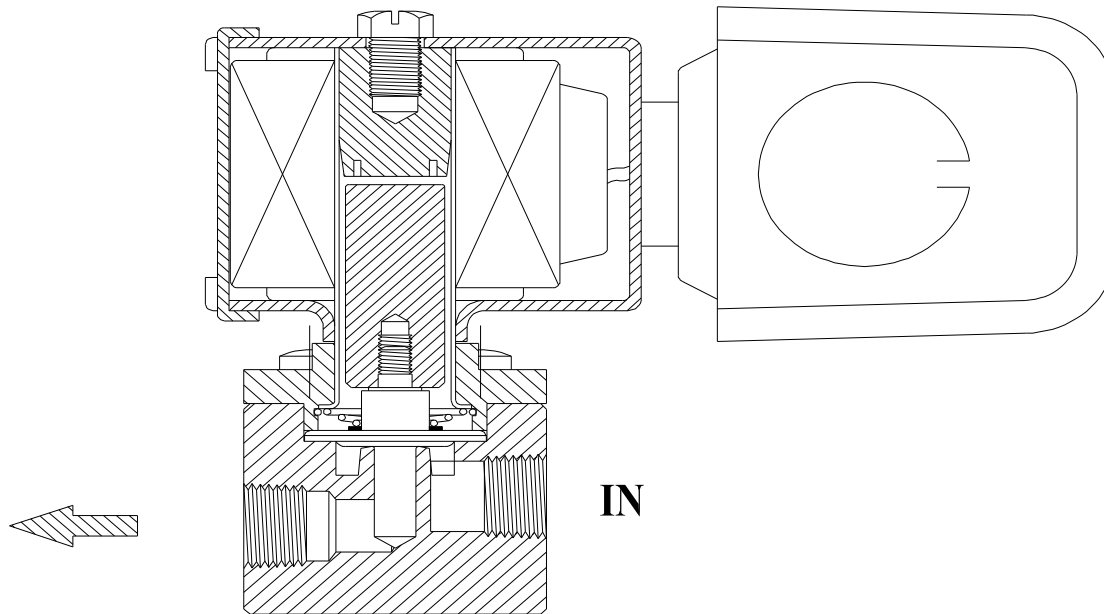


DEMA MODEL 481P AND 482-2 SOLENOID VALVE

PACKED VALVE FOR VACUUM SERVICE

INSTALLATION INSTRUCTIONS



INSTALLATION:

Valve may be installed in any position in the line except with the coil underneath. Pipe connections are 1/8" NPT female. The vacuum source is from the direction of the arrow.

ELECTRICAL CONNECTIONS:

Make sure that incoming power corresponds to the voltage stamped on the front plate of the solenoid coil.

SPECIFICATIONS:

Fluids: Compatible with polypropylene and EPDM rubber.

Flow Factor: (CV): 0.27 (PORT DIA. 0.172")

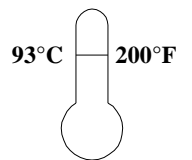
MOPD: 28" Hg. vacuum. HOLDING: 16" Hg. vacuum.

ELECTRICAL: 10 Watts. 40VA Inrush, 18VA Holding

Junction available in 24, 120, 208-240 volt, 50/60 cycle (Special voltage available upon request).

FLUIDS:

Valves are intended for water, air, light oil, and other noncorrosive fluids. They should **not** be used for gasoline and other hazardous or explosive fluids. Maximum fluid temperature is 200° F (93.3°C). Ambient temperature shall not exceed 120°F (48.8°C).



WARNING: NOT FOR USE WITH HAZARDOUS OR CORROSIVE OR EXPLOSIVE FLUIDS.

SERVICING:

1. Failure to open.
 - a. No power or low voltage.
 - b. Burnt out coil (usually due to wrong voltage).
 - c. Plunger jammed by dirt or damaged steel tube.
 - d. Vacuum too high after valve opens. Fluid flow must be high enough to reduce vacuum.
2. Failure to close.
 - a. Coil still energized.
 - b. Dirt on valve seat.
 - c. Plunger jammed by dirt or damaged steel tube.

WARNING: USE CARE WHEN HANDLING HAZARDOUS CHEMICALS.

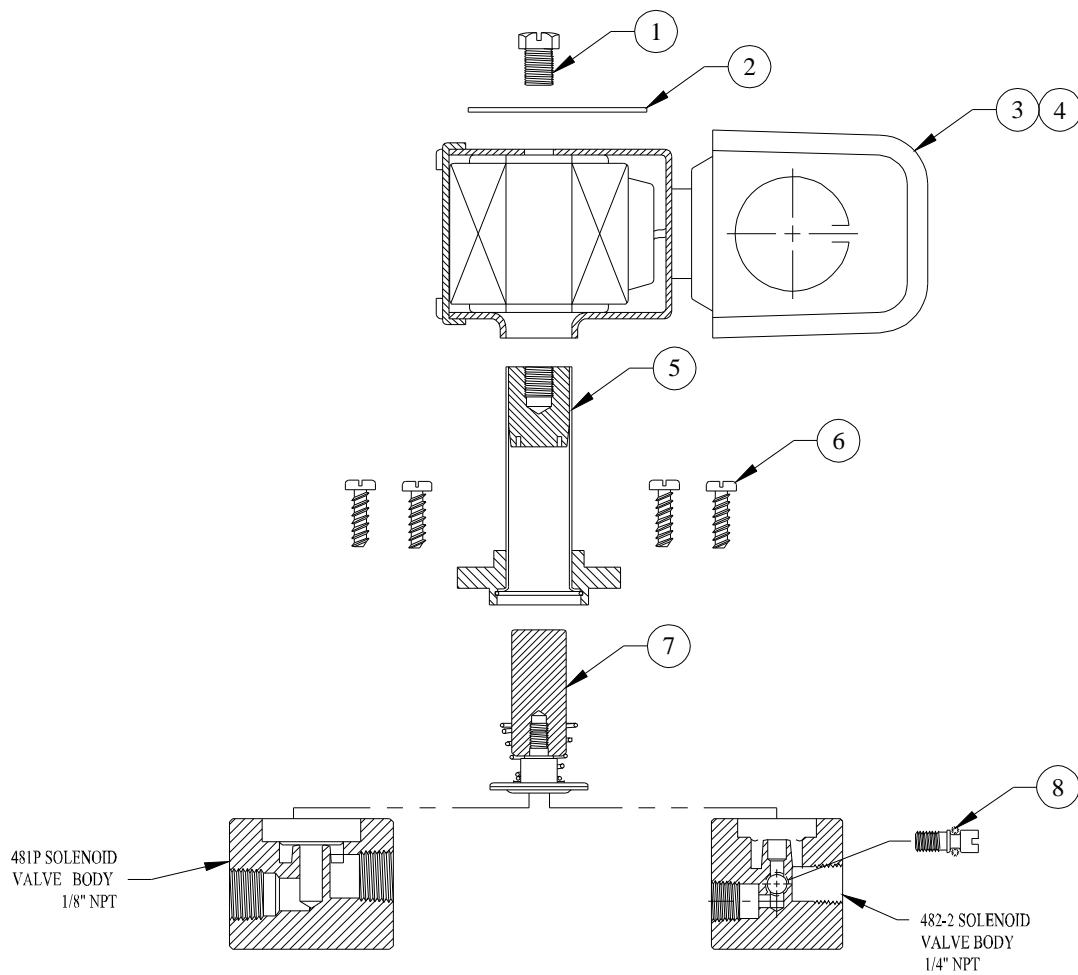
**DEMA MODEL 481P AND 482-2 SOLENOID VALVE
PACKED VALVE FOR VACUUM SERVICE
INSTALLATION INSTRUCTIONS**

RETURNS: **NO MERCHANDISE MAY BE RETURNED FOR CREDIT WITHOUT DEMA'S WRITTEN PERMISSION. RETURN MERCHANDISE AUTHORIZATION NUMBER REQUIRED IN ADVANCE OF RETURN.**

WARRANTY: DEMA products are warranted against defective material and workmanship under normal use and service for one year from the date of manufacture. This limited warranty does not apply to any products which have a normal life shorter than one year or failure and damage caused by chemicals, corrosion, improper voltage supply, physical abuse, or misapplication. Rubber and synthetic rubber parts such as "o"- rings, diaphragms, squeeze tubing and gaskets are considered expendable and are not covered under warranty. This warranty is extended only to the original buyer of DEMA products. If products are altered or repaired without prior approval of DEMA, this warranty will be void.

Defective units or parts should be returned to the factory with transportation prepaid. If inspection shows them to be defective, they will be repaired or replaced without charge, F.O.B. factory. DEMA assumes no liability for damages. Return merchandise authorization number, to return units for repair or replacement, must be granted in advance of return.

DEMA MODEL 481P AND 482-2 SOLENOID VALVE PACKED VALVE FOR VACUUM SERVICE INSTALLATION INSTRUCTIONS



QTY	PART NO.	DESCRIPTION
1	41-14-1	Top Plug Screw
2	41-13-15	Nameplate
3	41-91-1	Solenoid Coil (Specify Voltage) Junction Box (As Shown
4	41-9C-1	Solenoid Coil (Specify Voltage) Conduit Connection
5	41-7-14	Enclosing Tube Assembly
6	66-11	Enclosing Tube Screw (4 Req'd)
7	41-2-14	Plunger Assembly (With Diaphragm & Spring)
8	25-5	O-Ring