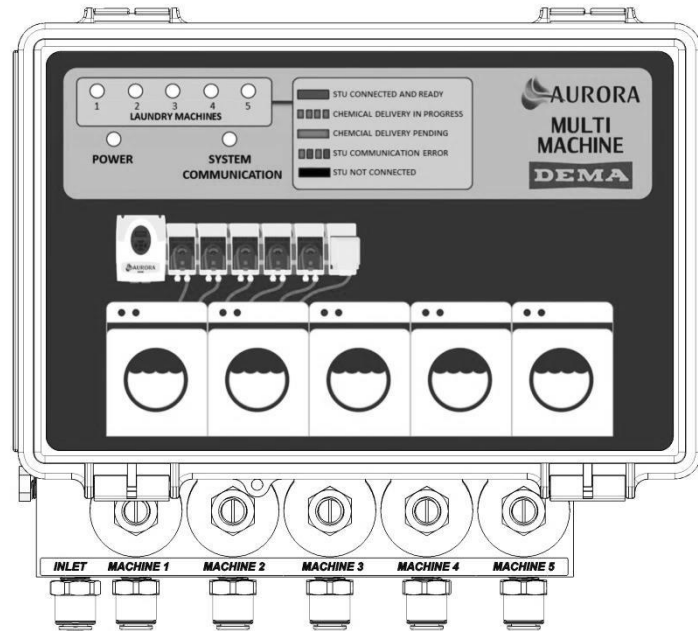


86M Aurora Multi-Machine

Install and Operations Manual



Installation and Setup Guide

The DEMA® Aurora Multi-Machine is for laundry applications. The Aurora Multi-Machine can be used in conjunction with the Aurora Laundry System, to accurately dispense product into multiple laundry machines.

Warnings



Installation of DEMA products must meet all applicable electrical codes and regulations established by national, city, county, parish, provincial or other agencies. It is possible that electrical codes and regulations require that a certified electrical contractor or engineer perform the electrical installation. For questions, contact a certified electrician.



All installations must conform to local plumbing codes and use approved backflow prevention devices. A pressure indicating tee is to be installed with existing faucets according to local plumbing codes in the state of Wisconsin and any other state that requires the use of a pressure indicating tee.



Do not use this system with flammable, combustible or toxic materials. Do not use this for anything other than its intended purpose or injury could occur.



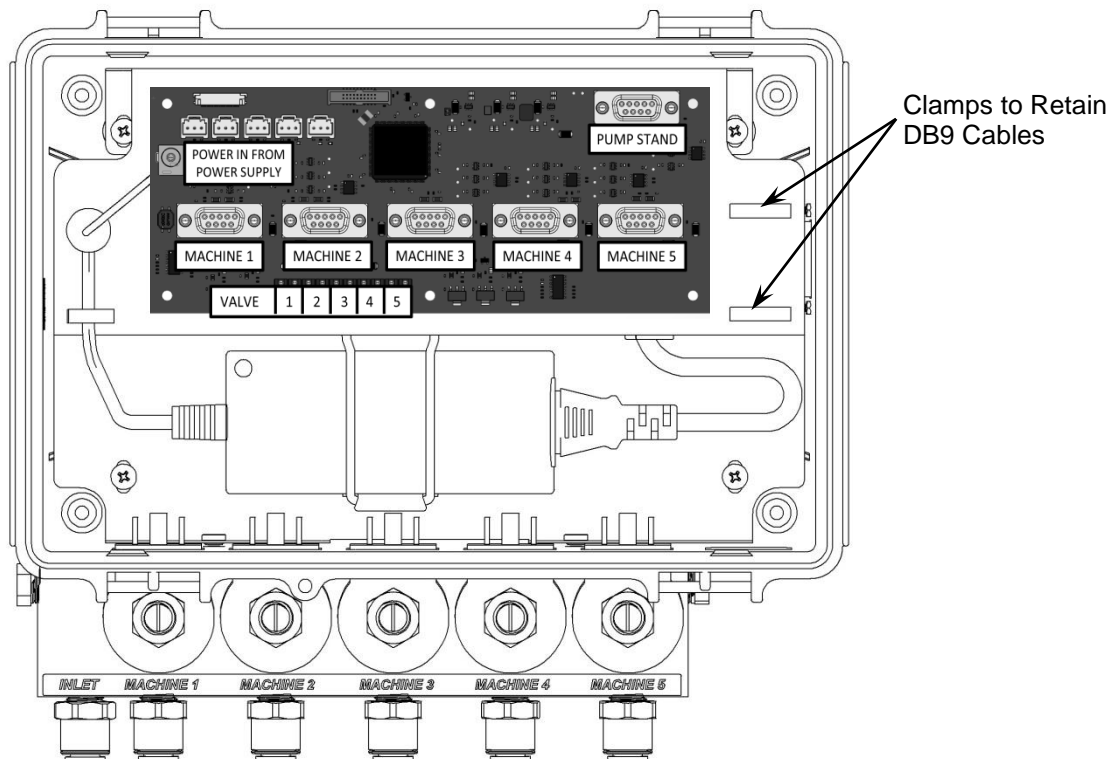
ALWAYS WEAR PROTECTIVE CLOTHING AND EYEWEAR WHEN WORKING WITH CHEMICAL PRODUCTS.

Installation and Operation



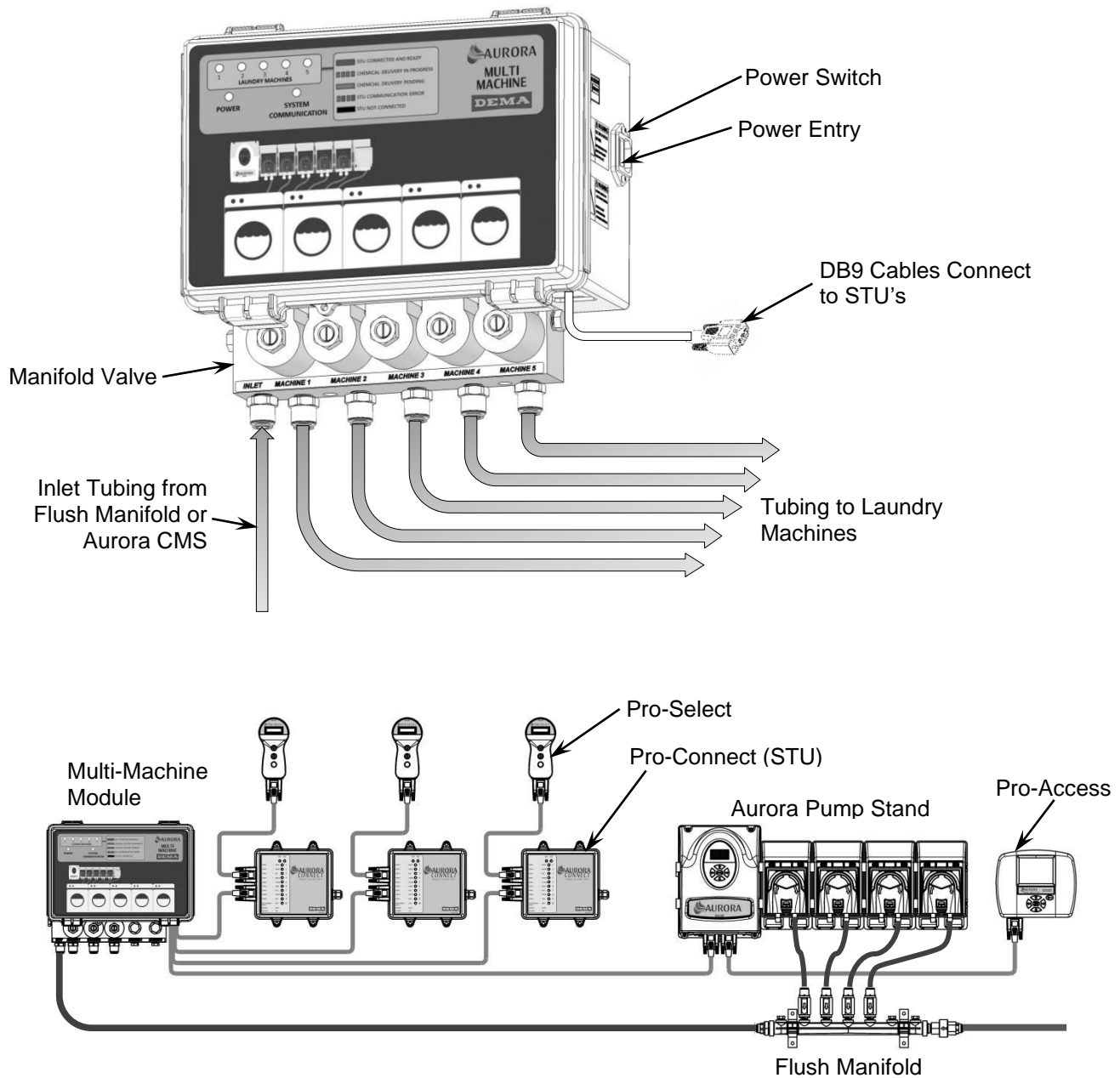
WARNING: INSTALLATION OF DEMA PRODUCTS MUST MEET ALL APPLICABLE ELECTRICAL CODES AND REGULATIONS ESTABLISHED BY NATIONAL, CITY, COUNTY, PARISH, PROVINCIAL OR OTHER AGENCIES. IT IS POSSIBLE THAT ELECTRICAL CODES AND REGULATIONS REQUIRE THAT A CERTIFIED ELECTRICAL CONTRACTOR OR ENGINEER PERFORM THE ELECTRICAL INSTALLATION. FOR QUESTIONS, CONTACT A CERTIFIED ELECTRICIAN.

1. Turn off power to the Aurora dispenser prior to starting the installation of the Multi-Machine Module.
2. Install the Multi-Machine Module onto a suitable mounting surface away from water spray.
(Note: The Multi-Machine module is supplied with DB9 foot cables for connecting the pump stand and STU's.)
3. Attach the DB9 communication cable from the Aurora pump stand.
4. Attach the DB9 communication cables from the STU to the matching connector on the control board.
5. Retain all DB9 cables inside the enclosure using the two clamps located to the right of the control board.



Installation and Operation (Continued)

6. Install the flush tubing from the flush manifold or Aurora CMS to the inlet on the manifold valve.
7. Install the flush tubing from the manifold valve outlets to the laundry machines.
8. Close and latch the door.
9. Plug the power cord into a grounded outlet.
10. Turn the Multi-Machine Module power switch to the on position.
11. Turn the Aurora Dispenser power switch to the on position.
12. Verify communication with the STU's and dispenser (Green LED's).



Programming

Upon completion of the installation of the Multi-Machine module to the Aurora system; it will create virtual pump drivers for each Pro-Connect attached to the module. Each virtual pump driver will need to be programmed as an independent dispenser. Refer to the Aurora Pro-Access programming and setup guide (I1226), to program the virtual pump drivers. Additionally, the DEMA Connect app for Aurora can be used to program the Aurora dispenser. The virtual pump drivers will appear as separate dispensers in the app.

Troubleshooting

Blue power light not on:

- Module unplugged at enclosure or wall.
- Power switch in the off position.
- No power at the wall outlet.
- Power supply unplugged from control board.

Laundry Machine LED's 1 thru 5 not on:

- STU not present.
- STU cable not connected at STU or Multi-Machine board.
- Faulty STU.
- It may be necessary to use the "Find Pump Stands" feature on the Pro-Access.

System Communication LED not on:

- Cable not connected at pump stand or control board.
- Pump driver power switch on the off position.
- Pump driver power cable unplugged.
- Faulty control board.

No chemical flowing to laundry machine:

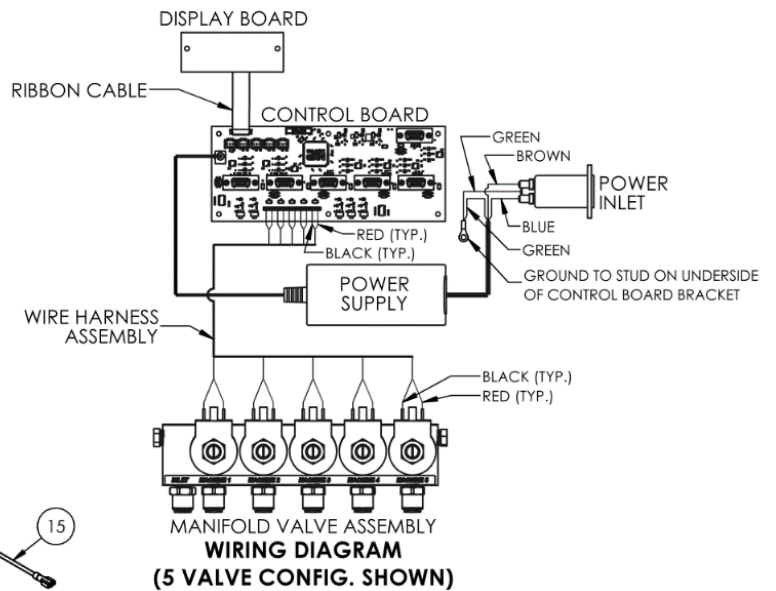
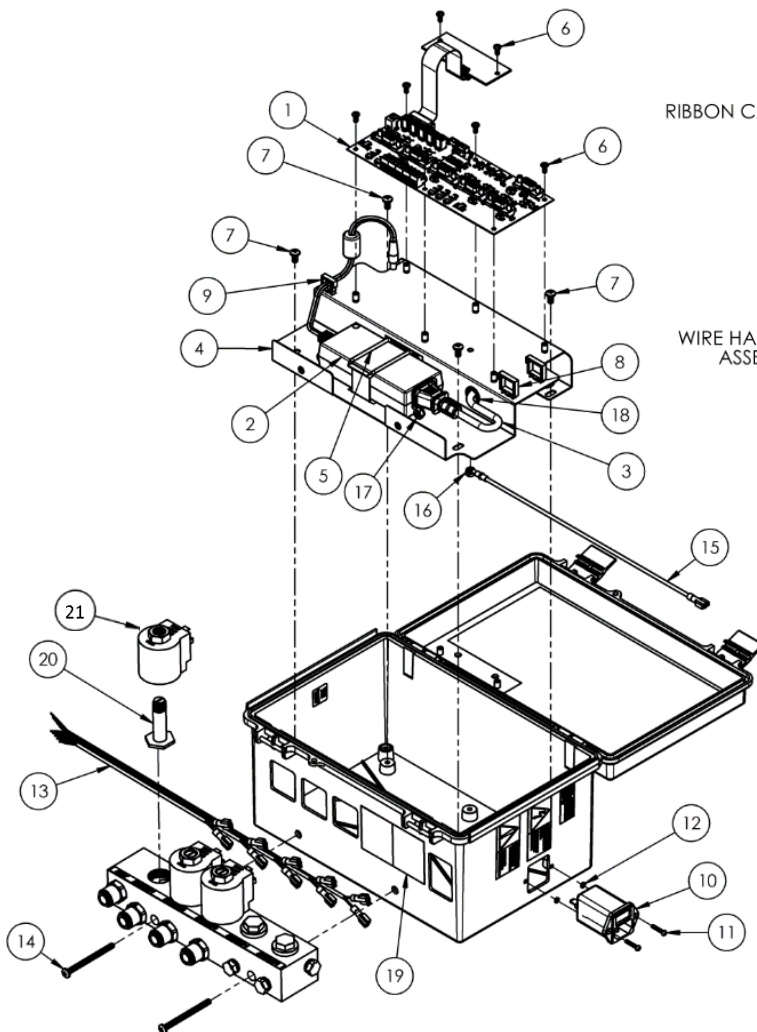
- Flush water ball valve closed.
- Flush valve or diverter valve not functioning.
- Faulty STU.

Chemical going to the wrong laundry machine:

- STU cable connected to the wrong input on the Multi-Machine board.
- Flush tubing connected to the wrong diverter valve outlet.
- Diverter valve wiring harness connected incorrectly.

Parts List

MULTI-MACHINE PARTS LIST		
ITEM NO.	DEMA NO.	DESCRIPTION
1	86.100.31	CONTROL BOARD KIT
2	84.154.1	POWER SUPPLY 60W
3	84.125.3	POWER SUPPLY CABLE
4	41.198.1	BRACKET, CONTROL BOARD
5	41.6.3	O-RING, 1-7/16" ID X 1-11/16" X .139"W
6	41.4	#6-32 X 1/4 PH SCREW
7	25.85.1	#10-32 X 3/8 PH SCREW
8	41.321.2	CABLE CLIP - ARROW MOUNT .55 X .64
9	41.321.1	CABLE CLIP - ARROW MOUNT, .35 X .42
10	84.417.1	POWER ENTRY MODULE
11	84.443.1	#4-40 X 5/8 PH SCREW
12	84.444.1	#4-40 HEX NUT
13	41.202.1	WIRE HARNESS ASSEMBLY
14	44.124.11	#10-24 X 2-1/2" PH SCREW
15	81.32.53	12" GREEN WIRE W/ CONNECTORS
16	84.23.2	#8-32, HEX NUT
17	57.106.1	#10-24 LOCK NUT
18	22.169.17	SNAP BUSHING, 5/8" NYLON
19	L1991	COIL OPENING COVER LABEL
20	86.100.30	VALVE OPERATOR KIT
21	41561.1	COIL 24VDC



Warranty

Merchandise Returns

***No Merchandise will be Returned for Credit Without DEMA'S Written Permission.
Returned Merchandise Authorization Number is Required in Advance of Return.***

Product Warranty

DEMA products are warranted against defective material and workmanship under normal use and service for one year from the date of manufacture. This limited warranty does not apply to any products that have a normal life shorter than one year or failure and damage caused by chemicals, corrosion, physical abuse, or misapplication. Rubber and synthetic rubber parts such as "O"-rings, diaphragms, PVC tubing, and gaskets are considered expendable and are not covered under warranty. This warranty is extended only to the original buyer of DEMA products. If products are altered or repaired without prior approval of DEMA, this warranty is void.