

DEMA 860P™ Aurora Pro-Select



This kit is designed to add or replace an Aurora Pro-Select on an existing DEMA® Aurora unit, model 860P. Read this instruction sheet completely before installing the Aurora Pro-Select.

Caution: Before opening the DEMA® Aurora enclosure all power should be turned off. All installations must be in accordance with city, county, state, parish or provincial electrical codes and should be performed by a certified electrician. The use of a licensed electrical contractor for installation is recommended.

Installation Procedure

- Select a location to mount the Aurora Pro-Select where the laundry machine operator can easily access the control buttons. It can be mounted with the self-adhesive Velcro that is included in the hookup kit.
- The Aurora Pro-Select is typically connected to the Pro-Connect. However, it can be connected to the Aurora Pump Stand. See Cable Wiring Diagram on next page. When securing the DB9 patch cord between the On-Premise Laundry Controller and the Aurora, avoid sharp edges, electrical motors and relays; additionally, do not run parallel to electrical power lines and conduit.
- Upon power up the Aurora Pro-Select assembly will display DEMA Engineering, Aurora Pro-Select, the version number, and date of the version. After the system is past its start-up sequence, the display will show the formula name, (if one is programmed), the formula number, load counts for that formula and the total load counts for the pump stand.

Operation

- **Formula Buttons:** Change to a desired formula by simply pressing the “up” or “down” buttons below to the formula display. The formula display will show the formula name (if programmed) followed by the formula number. The DEMA® Aurora Laundry system is set to run. The load count numbers stay current and will update when the load count pump is triggered.
- **Emergency Stop:** Pressing the “Stop” button twice on the Aurora Pro-Select will stop any active pumps or the flush. The display backlight will flash and the audible alarm will sound. Pressing the “Stop” button again will mute the audible alarm. The stop condition may be cleared after 10 seconds by pressing the “Stop” button again.

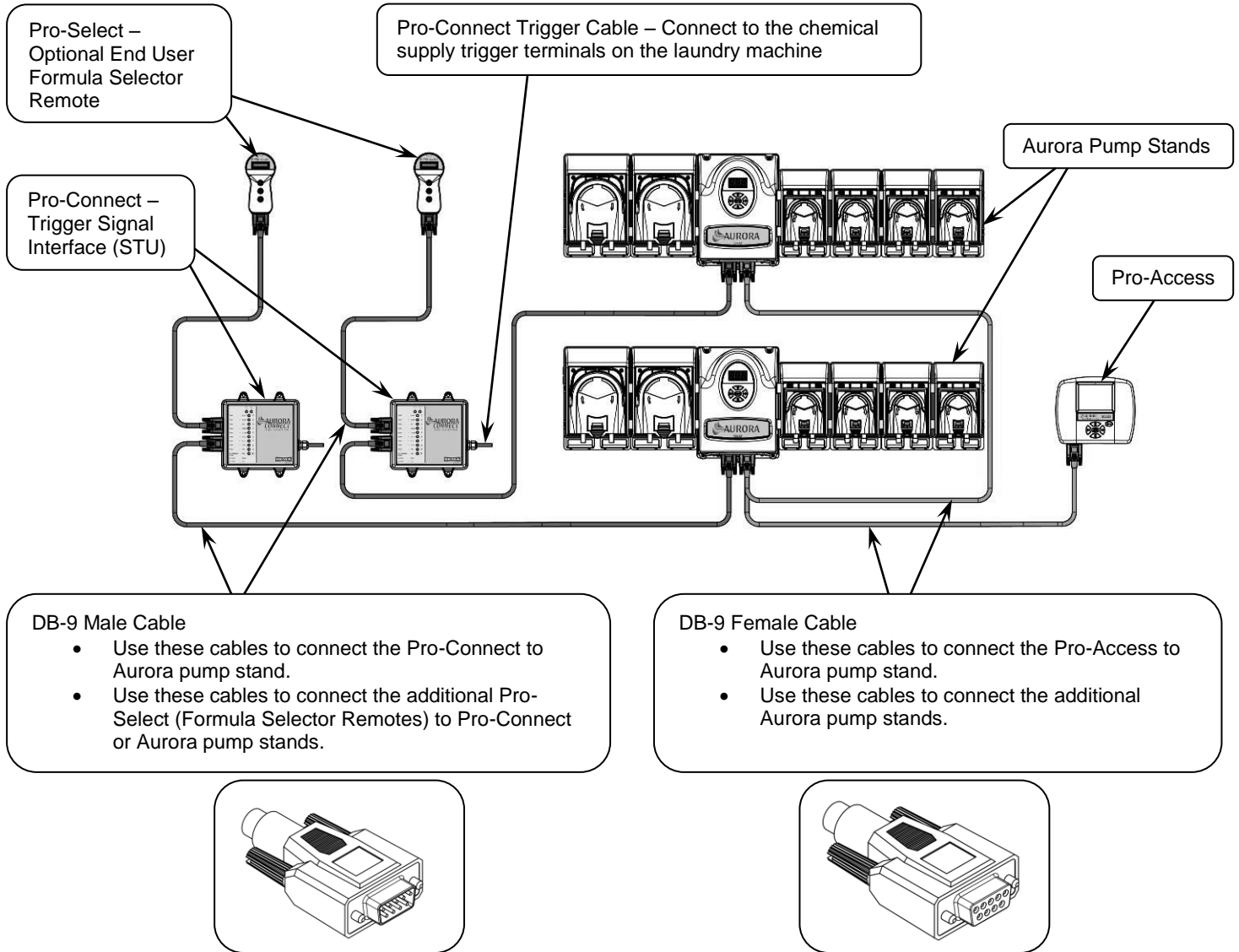
Parts Included

Pro-Select Kit (86.100.8.1)

- Pro-Select Assy. (84.427.1)
- Kit – DB9 Cable Assy. M-M W/Dust Cover – 8’ (86.100.5.1)
- Velcro, Black Hook & Loop 2” x 3” (83.16.1)
- Instruction Sheet – Pro-Select Module (I228)
- Foam 2-1/8 x 6-1/4 x 9 (B211.1)
- Packing Box (B211.2)

DEMA 860P™ Aurora Pro-Select

Cable Wiring Diagram



Return Policy

No merchandise may be returned for credit without DEMA® Engineering Company's written permission. Return Merchandise Authorization (RMA) number required in advance of return.

Warranty

DEMA® products are warranted against defective material and workmanship under normal use and service for one year from the date of manufacture. This limited warranty does not apply to any products, which have a normal life shorter than one year or failure and damage caused by chemicals, corrosion, improper voltage supply, physical abuse or misapplication. Rubber and synthetic rubber parts such as "O"-rings, diaphragms, squeeze tubing, and gaskets are considered expendable and are not covered under warranty. This warranty is extended only to the original buyer of DEMA® products. If products are altered or repaired without prior approval of DEMA®, this warranty will be void.

Defective units or parts should be returned to the factory with transportation prepaid. If inspection shows them to be defective, they will be repaired or replaced without charge, F.O.B. factory. DEMA® assumes no liability for damages. Return merchandise authorization number to return units for repair or replacement must be granted in advance of return.