

DEMA One

Open Container Portable Dispensing Unit



Overview

The DEMA One (DM1) open container dispensing system is built to make cleaning easier and more effective. The versatility and functionality of the DM1 makes this the next generation in portable dispensing systems.

Warnings



All installations must conform to local plumbing codes and use approved backflow prevention devices. A pressure indicating tee is to be installed with existing faucets according to local plumbing codes in the state of Wisconsin and any other state that requires the use of a pressure indicating tee.



ALWAYS WEAR PROTECTIVE CLOTHING AND EYEWEAR WHEN WORKING WITH CHEMICAL PRODUCTS.

Package Contents

| | |
|-----------------------|---------------------------|
| 1 - DEMA One unit | 3 - Sections of draw tube |
| 1 - Instruction sheet | |

Set-Up and Installation

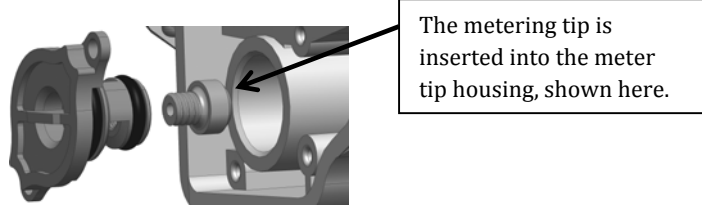
Draw Tube Installation:

The DM1 unit comes with three draw tube lengths to fit the most common bottle sizes available. Please choose the correct draw tube based on your requirements. Push the tube onto the barb at the base of the DM1 unit, until it is at the top of the barb.

| Bottle Size | Draw Tube Length |
|---------------------------|------------------|
| 2L & ½ Gallon F-Style | 23.16cm 9.12in |
| 1 Gallon F-Style | 30.18cm 11.88in |
| 5L & 1 Gallon Round Style | 31.75cm 12.5in |

Metering Tip Installation:

Metering tips are designed to meter your chemicals at a desired dilution ratio. Please refer to the Metering Tip guide (table below)



| Single or Dual | Single | | | Dual | | | Single | Dual | | | Single | Dual | | | | | | |
|----------------|--|---------------------|---|---------------------|---|---|---------------|---|--------|-----------|--------|------|--------------|--------|------|--|--|--|
| | Model No. (Selector position (dual): L or R) | DM1S.1 DM1SGAP.1 | DM1D.1, 3, 4 (L) DM1DGAP.1, 3, 4 (L) | DM1S.2 DM1SGAP.2 | DM1D.2 (L&R) DM1DGAP.2 (L&R) DM1DS.2 & 4 (R) DM1DS.1 & 3 (L&R) | DM1S.3 DM1SGAP.3 DM1SS.1 DM1SS.2 | | DM1D.1, 3, 4 (R) DM1DGAP.1, 3, 4 (R) | | | | | | | | | | |
| Flow Rate | Low (1 GPM) | | | | | | Med (2.8 GPM) | | | | | | High (4 GPM) | | | | | |
| Tip Color | Ratio : 1 | OZ/GAL | ml/L | Ratio : 1 | OZ/GAL | ml/L | Ratio : 1 | OZ/GAL | ml/L | Ratio : 1 | OZ/GAL | ml/L | Ratio : 1 | OZ/GAL | ml/L | | | |
| Tan | 157 | 0.82 | 6.41 | 269 | 0.48 | 3.75 | 296 | 0.43 | 3.36 | | | | | | | | | |
| Orange | 95 | 1.35 | 10.55 | 187 | 0.69 | 5.39 | 245 | 0.52 | 4.06 | | | | | | | | | |
| Turquoise | 84 | 1.53 | 11.95 | 158 | 0.81 | 6.33 | 242 | 0.53 | 4.14 | | | | | | | | | |
| Pink | 48 | 2.66 | 20.78 | 106 | 1.20 | 9.37 | 160 | 0.80 | 6.25 | | | | | | | | | |
| Light Blue | 38 | 3.35 | 26.17 | 85 | 1.50 | 11.72 | 128 | 1.00 | 7.81 | | | | | | | | | |
| Brown | 33 | 3.88 | 30.31 | 88 | 1.45 | 11.33 | 118 | 1.09 | 8.52 | | | | | | | | | |
| Red | 28 | 4.50 | 35.15 | 68 | 1.87 | 14.61 | 95 | 1.35 | 10.55 | | | | | | | | | |
| White | 24 | 5.25 | 41.01 | 58 | 2.21 | 17.26 | 82 | 1.56 | 12.19 | | | | | | | | | |
| Green | 21 | 6.14 | 47.97 | 54 | 2.37 | 18.51 | 74 | 1.73 | 13.51 | | | | | | | | | |
| Blue | 16 | 8.02 | 62.65 | 41 | 3.14 | 24.53 | 57 | 2.25 | 17.58 | | | | | | | | | |
| Yellow | 11 | 11.76 | 91.87 | 27 | 4.79 | 37.42 | 38 | 3.41 | 26.64 | | | | | | | | | |
| Black | 9 | 14.11 | 110.23 | 21 | 6.04 | 47.18 | 28 | 4.59 | 35.86 | | | | | | | | | |
| Purple | 5 | 26.37 | 206.00 | 12 | 10.91 | 85.23 | 17 | 7.75 | 60.54 | | | | | | | | | |
| Gray | 4.5 | 28.27 | 220.85 | 10 | 12.56 | 98.12 | 14 | 9.21 | 71.95 | | | | | | | | | |
| None | 3.6 | 35.00 | 273.42 | 5.8 | 22.07 | 172.41 | 8 | 16.25 | 126.95 | | | | | | | | | |

1. Remove the center housing cover by removing the two Phillips head screws as shown.
2. Remove screws from the metering compartment and carefully pry metering tip holder off the DM1 unit. There are two metering tip holders. For dual fill units, both left and right metering tip holders are used. For single fill units **only the right metering tip holder** is used. Remove one or both as applicable.
3. Take the identified metering tip and thread it into the metering tip holder.
4. Replace the metering tip holder back into the DM1 unit. Align the metering tip holder with the screw holes. Insert screws and tighten back into unit.



IMPORTANT, SINGLE FILL UNITS ONLY: Insert/change out the right metering tip only. The right side is correctly identified as the water supply swivel facing you, shown here.

Basic Operation:

Operating the DM1 is fundamentally the same regardless of your model. Follow these instructions to understand how to use the unit.

| | |
|-------------------------------------|--------|
| Operational Pressure Range (psi): | 20-90 |
| Operational Temperature Range (°F): | 40-120 |

1. Connect DM1 to your chemical container.
2. Connect DM1 to a water line. The unit is equipped with a standard water supply thread connection. Turn on water supply.
3. Squeeze handle trigger to dispense ready to use solution. For extended use, you can engage the red lock ring on the back of the unit by rotating it 'up' into the lock position.
4. To stop using the unit, rotate the red lock ring 'down' (if applied) and release the trigger. Chemical mixture will run out of the unit for a brief moment after trigger release.
5. **Disconnect water from source when not in use.**

FOR Dual Fill & Dilution models:

The DM1 is designed to fit multiple requirements. Of those, are options to multiple dilution levels and fill rates.

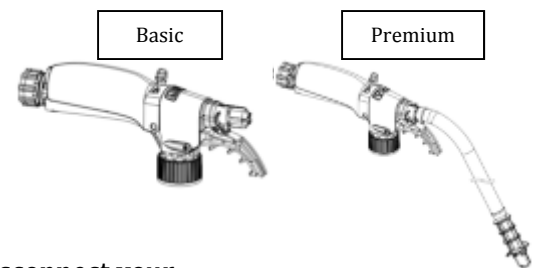
1. Connect DM1 to your chemical container.
2. Connect DM1 to a water line. The DM1 is equipped with a standard Garden Hose Thread (3/4" GHT). Turn on water supply.
3. Depending on your model, choose either your desired flow or dilution level by moving the control selector to either the left or right of the unit. The control selector defaults to the left. If the lever is moved to the right hand selection, hold the lever in place until the trigger is squeezed. Squeezing the trigger, thus engaging the unit, will also hold this lever in place. Once the trigger is released (stopping the flow), the lever returns to the default (left) position. For extended use, you can engage the red lock ring on the back of the unit by rotating it 'up' into the lock position.
4. To stop using the unit, disengage the red lock ring 'down' (if applied) and release the trigger. Chemical mixture will run out of the unit for a brief moment after trigger release.
5. **Disconnect water from source when not in use.**



Shift control selector from left to right

Changing Fill or Spray Connectors:

There are three connectors for the DM1, standard bottle/bucket fill tube; basic spray nozzle and premium spray applicator. Each tube, nozzle or applicator connects and operates like the others and does not require any tools.

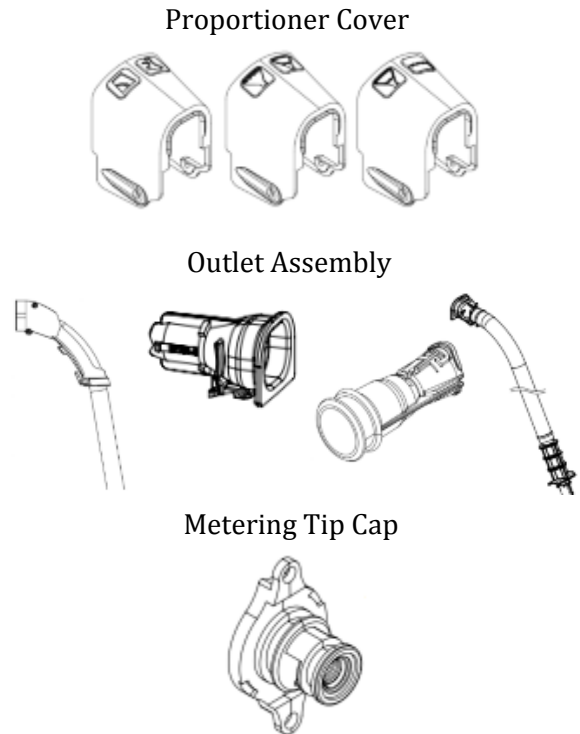


1. While you do not have to shut off the water source or disconnect your chemicals when changing out the connectors it is **IMPORTANT** that the trigger is not engaged (squeezed) when switching connectors.
2. To remove the current connector, hold the quick connect tab down with your forefinger and thumb while gently applying pressure with the palm of your hand to the front of the applicator in a downward action, thus releasing the applicator from the unit.

- To connect a different connector, align the applicator to the front of the DM1 unit. Slide the applicator up until it's crossed the quick connect tab and is firmly against the DM1 unit. You will feel a "click" which identifies the new connector is firmly in place.

Parts List

| PART NO. | DESCRIPTION |
|------------------------|---|
| Proportioner Cover | |
| 52-18-1 | Bottle/Bucket Fill |
| 52-18-2 | Rich/Lean Chemical |
| 52-18-3 | Rinse/Chemical |
| 52-18-4 | No Icons (not shown) |
| Outlet Assembly | |
| 52-33-1 | Bottle/Bucket Fill Assembly |
| 52-33-6 | Premium Sprayer Assembly |
| 52-33-9 | Basic Sprayer Assembly |
| 52-34-1 | Universal Foamer Attachment |
| Draw Tubes (not shown) | |
| 25-75-6 | 23.16cm/9.12in - 2L/ ½ Gal F-Style |
| | 30.18cm/11.88in - 1 Gal Round |
| | 31.75cm/12.5in - 5L/ 1 Gal F-Style |
| Additional Parts | |
| 52-19-1 | Metering Tip Cap |
| 52-19-2 | Metering Tip Plug (no tip, not shown) |
| 44-2-1 | Screw #2 x ¼" LG |
| 100-15K | Metering Tip Kit (not shown) |
| 100-15KU | Ultra Lean Metering Tip Kit (not shown) |



Warranty

Merchandise Returns

No merchandise will be returned for credit without DEMA'S written permission. Returned merchandise authorization number is required in advance of return.

Product Warranty

DEMA products are warranted against defective material and workmanship under normal use and service for one year from the date of manufacture. This limited warranty does not apply to any products that have a normal life shorter than one year or failure and damage caused by chemicals, corrosion, physical abuse, or misapplication. Rubber and synthetic rubber parts such as "O"-rings, diaphragms, PVC tubing, and gaskets are considered expendable and are not covered under warranty. This warranty is extended only to the original buyer of DEMA products. If products are altered or repaired without prior approval of DEMA, this warranty is void.

Defective units or parts should be returned to the factory with transportation prepaid. If inspection shows them to be defective, they will be repaired or replaced without charge, F.O.B. factory. DEMA assumes no liability for damages. Return merchandise authorization number must be granted in advance of returned units for repair or replacement (See "Merchandise Returns" above).