

DEMA MODEL 162 DRUM MOUNTED PROPORTIONER

INSTALLATION INSTRUCTIONS

1. PARTS

- A. Proportioner Assembly
- B. Outlet tubing with hook
- C. Supply tubing with foot valve and ceramic weight.
- D. Tubing clamps.

2. INSTALLATION

Slide ceramic weight over vinyl tubing with foot valve. Attach tubing to hose fitting under bung cap and secure with tubing clamp. The ceramic weight keeps the foot valve submerged in the chemical. Screw bung cap into drum opening. Water inlet is garden hose swivel. Use high grade garden hose (Dema part 44-3 is 25 ft. of 2 $\frac{1}{2}$ I.D. hose.). Attach vinyl tubing to proportioner outlet. Secure tubing with plastic clamp. Hook tubing to lip of drum when not in use.

3. OPERATION

Turn on water supply. Use ball valve to control water flow. Discharge is 4.5 GPM at 40 psi with ball valve fully open.

4. ADJUSTMENT

WARNING: USE CARE WHEN HANDLING HAZARDOUS CHEMICALS.

Turn the adjusting screw counterclockwise to increase the feed rate. Injection rates for various settings and for products of various viscosities are as follows:

Note: 1 cps (centipoise) is the viscosity of water, 75 cps is approximately equal to the viscosity of 10 weight motor oil, and 200 cps is approximately equal to the viscosity of most dishwashing detergents.

Turns Counter-Clockwise from Closed Position	Injection rates for Viscosities Shown		
	1 cps	75 cps	200 cps
	Oz/Gal	Oz/Gal	Oz/Gal
0	1.00	-----	-----
1	2.00	1.00	0.50
1 2	3.50	2.00	1.50
2	6.00	5.00	3.50
2 2	10.50	8.00	5.50
3	16.00	11.00	7.00
3 2	20.00	13.00	7.50
4	24.50	17.00	7.80
5	30.00	18.00	8.00

DEMA MODEL 162 DRUM MOUNTED PROPORTIONER INSTALLATION INSTRUCTIONS

5. SERVICING

CAUTION: Turn off water supply before servicing.

- A. Failure to inject chemical:
 - a. Low water pressure. At least 10 psi is required.
 - b. Detergent passage clogged. Open adjusting screw. Remove proportioner and soak in hot water
 - c. Foot valve clogged. Soak in hot water.
 - d. Lime deposits in water passages. Remove proportioner and soak in deliming solution.
- B. Injection continues after water is turned off:
 - a. Raise outlet tubing and hook onto drum lid to stop siphoning action.
 - b. If it is not practical to hook up outlet tubing, pierce a 1/16" dia. hole through the top of the vinyl tube just as it leaves the barb.
(Note: This might cause excessive sudsing.)

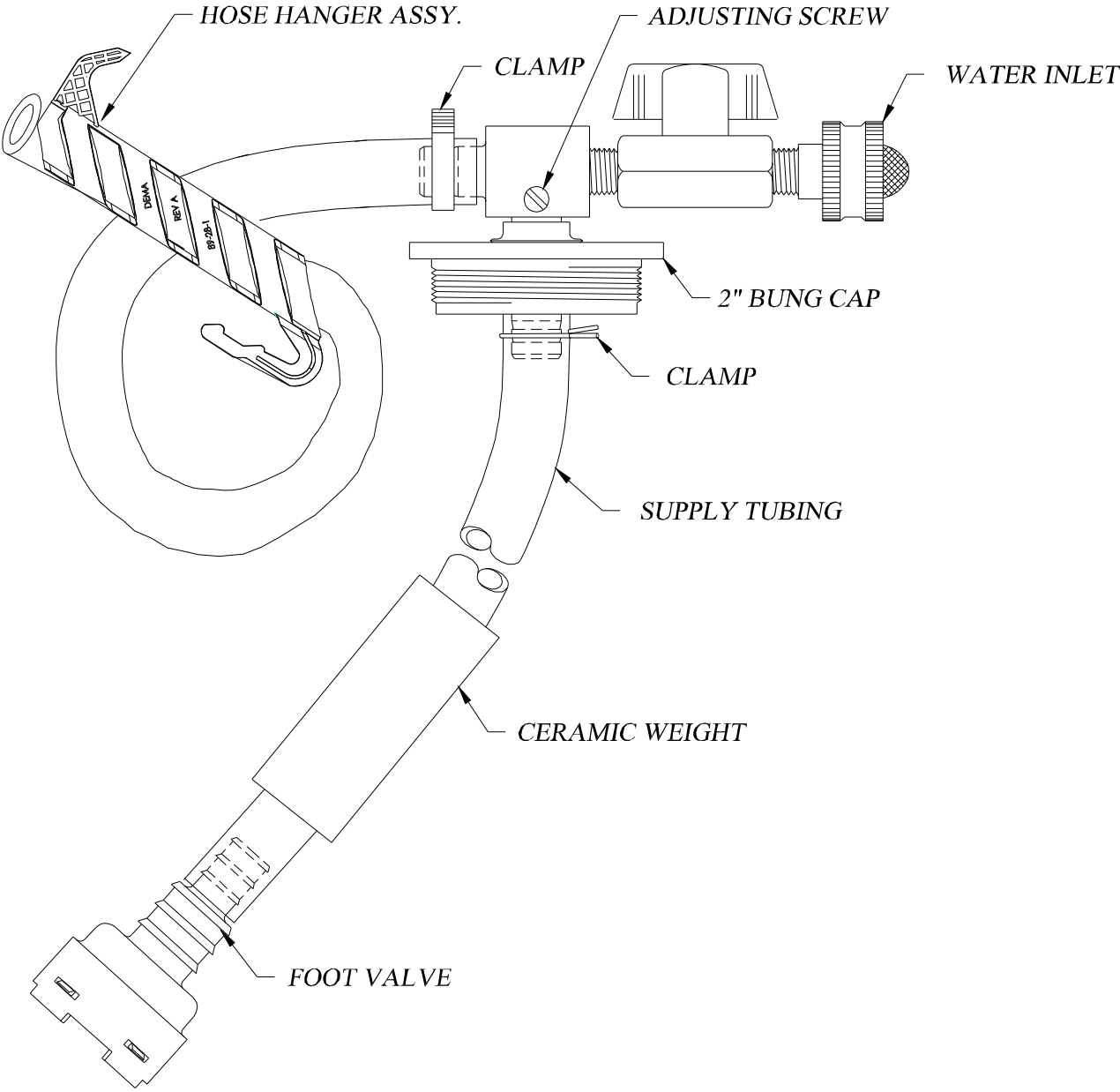
CAUTION: When servicing unit, be sure that replacement parts have been installed according to drawing.

RETURNS: NO MERCHANDISE MAY BE RETURNED FOR CREDIT WITHOUT DEMA'S WRITTEN PERMISSION. RETURN MERCHANDISE AUTHORIZATION NUMBER REQUIRED IN ADVANCE OF RETURN.

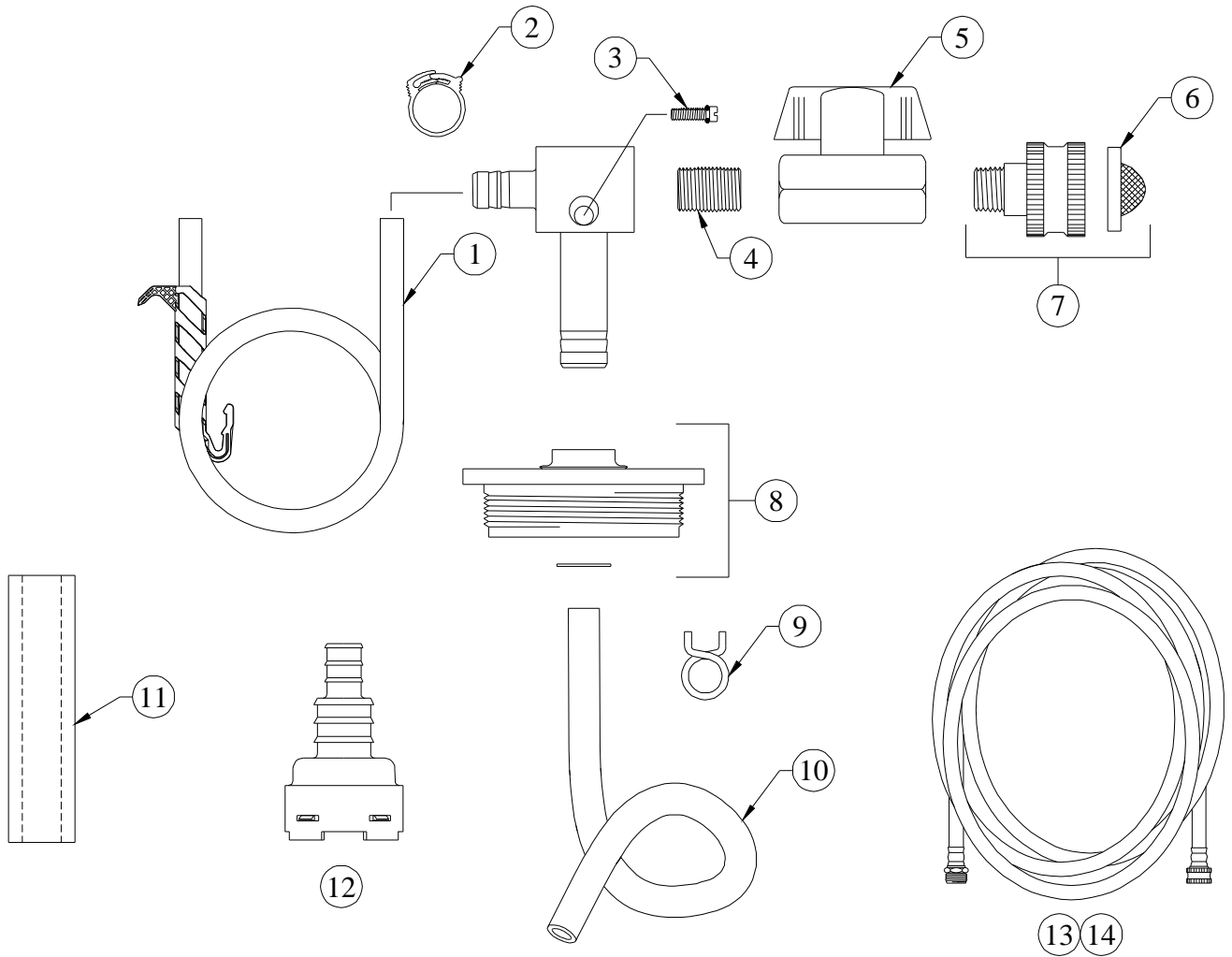
WARRANTY: DEMA products are warranted against defective material and workmanship under normal use and service for one year from the date of manufacture. This limited warranty does not apply to any products which have a normal life shorter than one year or failure and damage caused by chemicals, corrosion, improper voltage supply, physical abuse, or misapplication. Rubber and synthetic rubber parts such as "o"-rings, diaphragms, squeeze tubing and gaskets are considered expendable and are not covered under warranty. This warranty is extended only to the original buyer of DEMA products. If products are altered or repaired without prior approval of DEMA, this warranty will be void.

Defective units or parts should be returned to the factory with transportation prepaid. If inspection shows them to be defective, they will be repaired or replaced without charge, F.O.B. factory. DEMA assumes no liability for damages. Return merchandise authorization number, to return units for repair or replacement, must be granted in advance of return.

DEMA MODEL 162 DRUM MOUNTED PROPORTIONER INSTALLATION INSTRUCTIONS



DEMA MODEL 162 DRUM MOUNTED PROPORTIONER INSTALLATION INSTRUCTIONS



NO.	PART NO.	DESCRIPTION
1	89-30-5	Hose Hanger & Outlet Hose Assembly
2	16-9	Tubing Clamp, Plastic
3	23-24	Metering Screw w/O-Ring
4	16-8	1/4" NPT Pipe Nipple
5	16-11	1/4" NPT Ball Valve
6	100-38	Strainer Washer
7	16-1	Coupling & Strainer Washer
8	16-7	Bung Tip & Retainer Ring
9	16-10	Tubing Clamp, Stainless Steel
10	100-12LS	Supply Tubing, 1/2" OD x 3-1/2' Lg.

NO.	PART NO.	DESCRIPTION
11	61-107	Ceramic Weight, 1/2"OD Tubing
12	100-16E-1	Foot Valve

ACCESSORIES

NO.	PART NO.	DESCRIPTION
13	44-3	Outside Chicago Thread Adapter
14	44-3-6	Inside Aerator Thread Adapter