

DEMA BLEND CENTER

MODELS: 633GAP

INSTALLATION INSTRUCTIONS

The 633GAP Series Blend Center modular design lets you easily couple together any number of stations to create a system that meets your specific needs. Mix and match both high and low flow units for filling spray bottles, buckets, sinks and other reservoirs. Choose from blue, red, green, yellow, black and white buttons.

1. PARTS:

ITEM	DESCRIPTION	QTY.
A.	Blend Center Assembly	1
B.	1/4" ID or 3/8" I.D. X 8' Long Vinyl Supply Tubing & Foot Valve Assembly	1
C.	Ceramic Weight For 1/2" OD or 3/8" OD Vinyl Supply Tubing	1
D.	1/2" ID X 6" Long Vinyl Outlet Tubing (For 1 GPM Station Only) or 1/2" ID X 6' Long Vinyl Outlet Tubing (For 4 GPM Station Only)	1
E.	#10 Screws & Anchor Kit Set (2 #10 Screws & 2 #10 Anchors)	1
F.	Chemical Label	2
G.	Metering Tip Kit	1

2. INSTALLATION:

Note: All installations must conform to local plumbing codes and use the approved backflow preventers. Pressure indicating tee is to be installed with existing faucets according to local plumbing codes in the state of Wisconsin and any other state that requires the use of a pressure indicating tee.

WARNING: Water supply should not exceed 125 psi and water temperature must not exceed 150°F.

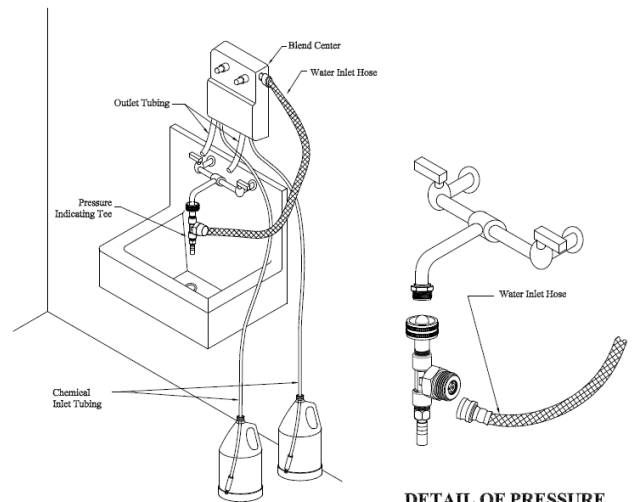
A. Mounting & Water Supply: Remove the two cover retainer screws and the cover from the Blend Center assembly. Any number of Blend Centers can be coupled together by first removing the pipe plugs in all but the last unit, then connecting the male hose thread of one unit to the female inlet hose adapter of the next unit. Mount the unit(s) in position on the wall and locate the position for the mounting screws. Only two screws are necessary to mount up to four units coupled together. Drill all of the holes into the drywall using a 1/4" diameter bit for use with the included #10 screw and anchor set. (If mounting the Blend Center to wood and you do not plan to use the included anchors, drill 1/8" diameter holes.) Insert the anchors into drilled holes and hammer them into the wall until they are flush with face of wall. Mount the units(s) to the wall and replace the covers and screws.

The water inlet is equipped with a female garden hose fitting (with strainer washer) for attaching a water supply hose. The unit is designed so water can be supplied to either side by interchanging the pipe plug and the female hose fitting. **Note:** Apply pipe dope, hand-tighten, and then turn 1-1/2 times with a wrench. **DO NOT OVER TIGHTEN.**

WARNING: Do not use Teflon® tape to seal internal plastic threads as the extra thickness of the tape may cause the plastic to crack. Use a non-welding liquid sealant instead.

B. Pressure Indicating Tee Installation: Screw female quick disconnect to faucet and attach pressure indicating tee to female quick disconnect. Attach female end of reinforced hose to male threads of tee, then attach the male end to the female garden hose fitting at the water inlet of the Blend Center (See Figure to the right).

PRESSURE INDICATING TEE INSTALLATION



C. Chemical Supply: Place the chemical containers in a convenient location not more than 6 feet below the Blend Center (greater lifts will reduce injection capacities). Slip ceramic weight over the chemical supply tubing and insert the foot valve end of the tubing into the chemical container. Cut the vinyl tubing to any convenient length that will allow the chemical supply tubing to extend from the bottom of the chemical container to the proportioner inlet barb. (See Figure 1) Install the tubing by pushing tubing over the barb located on the proportioner. Gummed labels are provided for labeling chemicals.

D. Outlet Tubing: Cut the 1/2" I.D. outlet tubing to the desired length and attach it to the proportioner outlet barb. **NOTE: DO NOT force outlet tubing onto the larger barbs on the proportioner.**

DETAIL OF PRESSURE INDICATING TEE

DEMA BLEND CENTER

MODELS: 633GAP

INSTALLATION INSTRUCTIONS

- E. **Chemical Injection Adjustment:** WARNING: USE CARE WHEN HANDLING HAZARDOUS CHEMICALS. Chemical feed rates are controlled by metering tips screwed into the proportioner barbs. Select a tip for each barb using Table 1 or 2 for 1/4" barb and Table 3 or 4 for 3/8" barb as a guide.

1 cps (centipoise) is equal to the viscosity of water
 75 cps is approximately equal to the viscosity of 10 weight motor oil
 200 cps is approximately equal to the viscosity of most dishwashing detergents

TABLE 1
1 GPM FLOW RATE PROPORTIONER, 1/4" I.D. TUBING

Metering Tip Color	Injection Rates For Viscosities Shown					
	1 cps		75 cps		200 cps	
	Oz/Gal	Ratio	Oz/Gal	Ratio	Oz/Gal	Ratio
Tan	1.03	125-1	0.76	168-1	0.38	333-1
Orange	1.24	103-1	0.98	130-1	0.53	241-1
Turquoise	1.43	89-1	1.07	119-1	0.61	211-1
Pink	2.47	52-1	1.58	81-1	0.92	139-1
Light Blue*	3.05	42-1	2.1	61-1	1.06	121-1
Brown	3.48	37-1	2.31	55-1	1.15	111-1
Red	4.38	29-1	2.83	45-1	1.23	104-1
White	5.33	24-1	3.1	42-1	1.37	93-1
Green	6.38	20-1	3.63	35-1	1.4	91-1
Blue	6.77	19-1	3.78	34-1	1.45	88-1
Yellow	9.90	13-1	5.1	25-1	1.48	86-1
Black	15.00	9-1	6.54	20-1	1.53	84-1
Purple	24.94	5-1	7.28	18-1	1.57	82-1
Gray	35.94	4-1	8.5	15-1	1.64	78-1
No Tip	73.21	2-1	9.35	14-1	1.87	69-1

TABLE 2
4 GPM FLOW RATE PROPORTIONER, 1/4" I.D. TUBING

Metering Tip Color	Injection Rates For Viscosities Shown					
	1 cps		75 cps		200 cps	
	Oz/Gal	Ratio	Oz/Gal	Ratio	Oz/Gal	Ratio
Tan	0.33	387-1	0.26	500-1	0.12	1090-1
Orange	0.42	307-1	0.32	430-1	0.17	735-1
Turquoise	0.51	251-1	0.34	382-1	0.19	676-1
Pink	0.78	165-1	0.56	230-1	0.3	422-1
Light Blue*	0.87	147-1	0.67	192-1	0.33	391-1
Brown	0.99	129-1	0.74	174-1	0.37	345-1
Red	1.37	93-1	0.91	141-1	0.44	289-1
White	1.52	84-1	1.04	123-1	0.48	264-1
Green	1.72	74-1	1.22	105-1	0.52	244-1
Blue	2.13	60-1	1.27	101-1	0.54	239-1
Yellow	3.05	42-1	1.71	75-1	0.56	229-1
Black	4.50	28-1	1.96	65-1	0.57	224-1
Purple	7.75	17-1	2.4	53-1	0.59	217-1
Gray	9.86	13-1	2.54	50-1	0.63	204-1
No Tip	19.63	7-1	3.16	40-1	0.67	190-1

NOTE:

- *Metering tip color was formerly clear.
- All induction rates are based on a water pressure of 40 psi.
- Leaner dilutions can be achieved by ordering DEMA ultra lean tip kit 100-15KU for 1/4" chemical supply inlet barb only.

DEMA BLEND CENTER

MODELS: 633GAP

INSTALLATION INSTRUCTIONS

TABLE 3
1 GPM FLOW RATE PROPORTIONER, 3/8" I.D. TUBING

Metering Tip Color	Injection Rates For Viscosities Shown					
	1 cps		75 cps		200 cps	
	Oz/Gal	Ratio	Oz/Gal	Ratio	Oz/Gal	Ratio
Clear	2.28	56-1	0.63	204-1	0.44	292-1
Purple	2.98	43-1	1.22	105-1	0.76	168-1
Yellow	5.18	25-1	2.51	51-1	2.01	64-1
Green	6.37	20-1	4.22	30-1	3.14	41-1
Pink	8.76	15-1	5.59	23-1	4.17	31-1
Turquoise	12.01	11-1	8.44	15-1	6.12	21-1
Black	15.16	8-1	9.93	13-1	7.09	18-1
Gray	18.97	7-1	12.55	10-1	8.73	15-1
Red	25.38	6-1	15.84	8-1	10.07	13-1
Blue	28.24	5-1	17.92	7-1	11.7	11-1
Brown	36.99	4-1	21.31	6-1	12.04	10.5-1
White	45.52	3-1	25.26	5-1	12.67	10-1
Orange	53.31	2.5-1	28.44	4.5-1	13.14	9.75-1
Light Blue**	60.27	2.25-1	30.5	4-1	13.51	9.5-1
Tan**	72.94	2-1	33.4	3.75-1	14	9-1
No Tip	77.90	1.75-1	35.85	3.5-1	14.5	8.75-1

TABLE 4
4 GPM FLOW RATE PROPORTIONER, 3/8" I.D. TUBING

Metering Tip Color	Injection Rates For Viscosities Shown					
	1 cps		75 cps		200 cps	
	Oz/Gal	Ratio	Oz/Gal	Ratio	Oz/Gal	Ratio
Clear	0.30	430-1	0.22	592-1	0.13	864-1
Purple	0.48	265-1	0.32	406-1	0.24	524-1
Yellow	1.28	100-1	0.82	157-1	0.6	212-1
Green	1.67	77-1	1.29	99-1	1	128-1
Pink	2.36	54-1	1.65	77-1	1.25	103-1
Turquoise	3.76	34-1	2.55	50-1	1.85	69-1
Black	4.47	29-1	3.03	42-1	2.12	60-1
Gray	5.53	23-1	3.67	35-1	2.58	50-1
Red	7.00	18-1	4.79	27-1	2.79	46-1
Blue	8.78	15-1	5.39	24-1	3.06	42-1
Brown	10.95	12-1	6.49	20-1	3.35	38-1
White	14.19	9-1	7.08	18-1	3.46	37-1
Orange	17.58	7-1	7.91	16-1	3.71	35-1
Light Blue**	21.75	6-1	8.66	15-1	3.9	33-1
Tan**	27.98	5-1	9.15	14-1	4.11	31-1
No Tip	33.15	4-1	10.54	12-1	4.52	28-1

** These tips are not included in the standard tip pack.

3. **OPERATION:**

The Blend Center is now ready for use. Depressing a push button opens the valve, allowing water to flow through the chemical proportioner that mixes chemical at the desired rate. The buttons are spring loaded to prevent accidental overflow if unattended, but may be converted to locking buttons by cutting off the tab, at the notch (See Figure 2). Pushing the button and turning it a 1/4 turn clockwise at the end of its travel allows the valve to lock on. This makes it unnecessary for the attendant to hold the button in while filling large containers. Turning the button in a counterclockwise direction will release it, allowing the valve to shut off.

4. **SERVICING:**

CAUTION: TURN OFF WATER SUPPLY BEFORE SERVICING.

A. **Proportioner fails to draw chemical:**

1. Pinch outlet tube to create back pressure, which will cause unit to prime. The foot valve will then keep the inlet tube primed.
2. Insufficient water supply pressure. 20 PSI is the minimum allowable.

B. **Proportioner stops drawing chemical:**

1. Inspect foot valve for dried chemical or dirt. Soak in hot water to clean.
2. Proportioner metering tip clogged with dried chemical. Remove tip and try injecting in hot water. If there is no

DEMA BLEND CENTER

MODELS: 633GAP

INSTALLATION INSTRUCTIONS

- suction, remove proportioner and soak in hot water to clear interior passages.
- Inspect proportioner to ensure that there are no mineral deposit build-ups on the nozzle. If so, soak proportioner body in de-liming solution. (Remove all parts attached to proportioner before soaking in de-liming solution.) **Note: Use care when handling hazardous chemicals.**

C. **Proportioner continues to draw chemical after water valve closes:**

Chemical supply is higher than bottom of discharge tube creating a natural siphon. Lower the supply vessel or hang up outlet tube after use.

D. **Valve Malfunction:**

Check that the button moves freely up & down and that a "click" can be heard when the button is pushed and released, indicating that the magnet is activating the plunger properly. Remove cover to inspect internal parts, unscrew magnet housing and carefully pull off the enclosing tube so as not to drop the plunger, kick-off spring and spacer. Check for dirt or damage impeding plunger and kick-off spring movement. Inspect the diaphragm, making sure the two small pinholes (bleed holes) in the diaphragm convolution are clear to allow the valve to close.

CAUTION: When servicing unit, be sure that replacement parts have been installed according to the drawing.

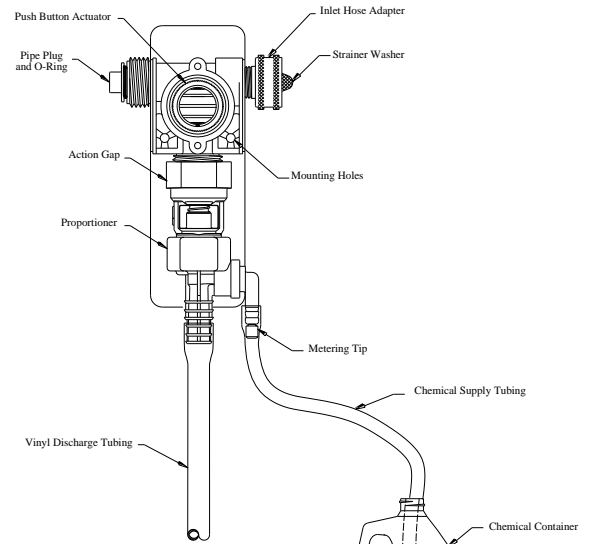


FIGURE 1

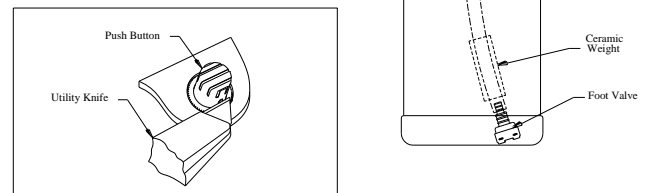


FIGURE 2

RETURNS: NO MERCHANDISE MAY BE RETURNED FOR CREDIT WITHOUT DEMA'S WRITTEN PERMISSION. RETURN MERCHANDISE AUTHORIZATION NUMBER REQUIRED IN ADVANCE OF RETURN.

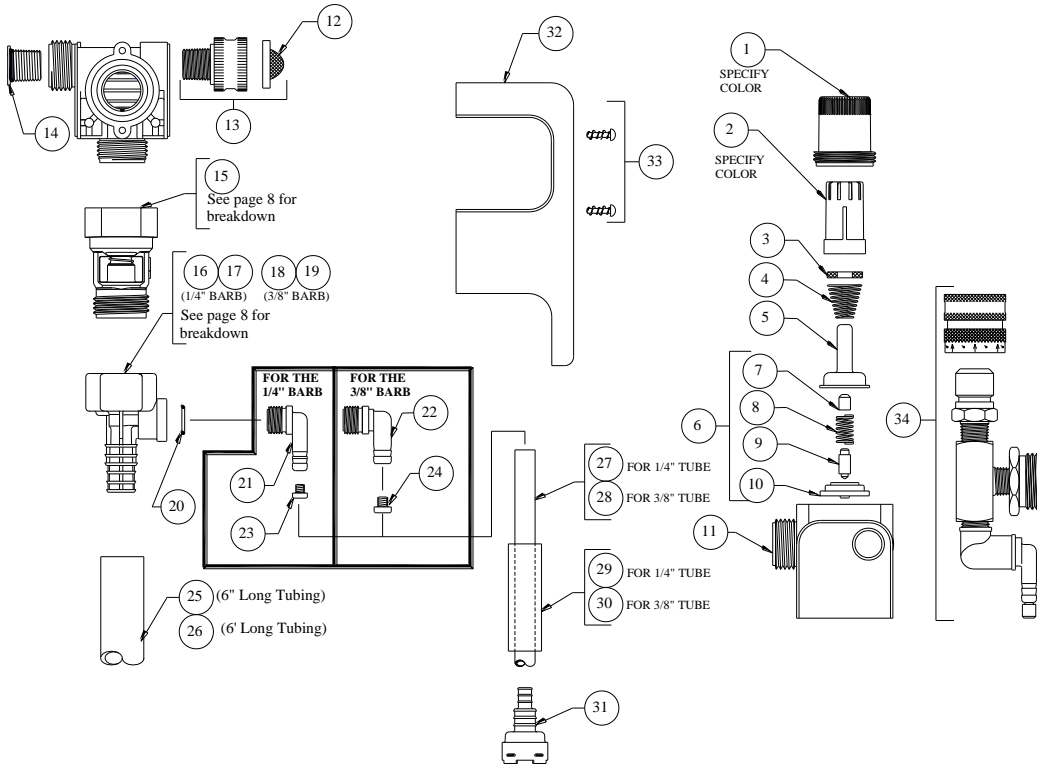
WARRANTY: DEMA products are warranted against defective material and workmanship under normal use and service for one year from the date of manufacture. This limited warranty does not apply to any products, which have a normal life shorter than one year or failure and damage caused by chemicals, corrosion, improper voltage supply, physical abuse, or misapplication. Rubber and synthetic rubber parts such as "O"-rings, diaphragms, squeeze tubing and gaskets are considered expendable and are not covered under warranty. This warranty is extended only to the original buyer of DEMA products. If products are altered or repaired without prior approval of DEMA, this warranty will be void.

Defective units or parts should be returned to the factory with transportation prepaid. If inspection shows them to be defective, they will be repaired or replaced without charge, F.O.B. factory. DEMA assumes no liability for damages. Return merchandise authorization number, to return units for repair or replacement, must be granted in advance of return.

DEMA BLEND CENTER

MODELS: 633GAP

INSTALLATION INSTRUCTIONS



NO.	PART NO.	DESCRIPTION
1	66-139	Magnet Housing (Specify Color)
2	66-140	Push Button (Specify Color)
3	63-35	Magnet
4	63-36	Spring
5	41-7-25	Enclosing Tube
6	63-87	Valve Repair Kit
7	63-37	Spacer
8	41-1-8	Kick-off Spring
9	63-38	Plunger
10	41-15-10	Diaphragm
11	63-39	Valve Body
12	100-38	Strainer Washer
13	93-44	Swivel Adapter w/Strainer Washer
14	66-153	Pipe Plug & O-Ring Assy.
15	16-30	Action Gap Assembly
16	61-22-3	4 GPM (1/4" Barb) Prop. (Gray)
17	61-99-2	1 GPM (1/4" Barb) Prop. (Green)
18	61-22-2	4 GPM (3/8" Barb) Prop. (Gray)
19	61-99-1	1 GPM (3/8" Barb) Prop. (Green)
20	63-78	O-Ring

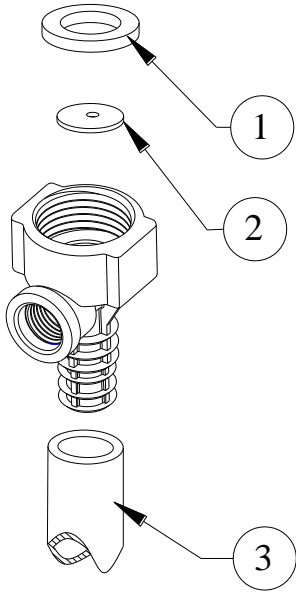
NO.	PART NO.	DESCRIPTION
21	63-79	Inlet Barb (1/4" Barb)
22	63-80	Inlet Barb (3/8" Barb)
23	100-15K	Metering Tip Kit (14 Sizes) (1/4" Barb)
24	61-9K	Metering Tip Kit (15 Sizes) (3/8" Barb)
25	16-3-6	1/2" ID X 6" Lg. Vinyl Outlet Tube (1 GPM Only)
26	61-21	1/2" ID X 6' Lg. Vinyl Outlet Tube (4 GPM Only)
27	100-12	1/4" ID X 8' Lg. Vinyl Supply Tubing
28	100-12L	3/8" ID X 8' Lg. Vinyl Supply Tubing
29	61-107-2	Ceramic Weight (3/8" OD Tube)
30	61-107	Ceramic Weight (1/2" OD Tube)
31*	100-16E	Foot Valve
32	63-45	Cover
33	63-46	Screws (2 Required)
34 ¹	L307	Chemical labels
35 ¹	L366	Unit front label

ACCESSORIES		
NO.	PART NO.	DESCRIPTION
34	68-6-QD2	Pressure Indicating Tee

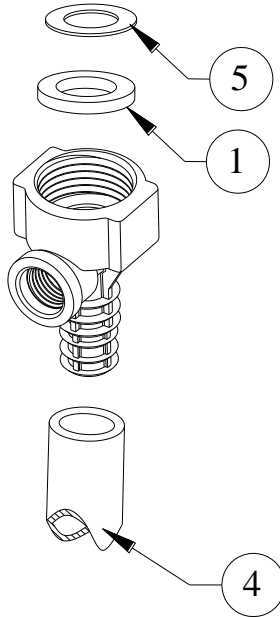
*Foot Valve also available with silicone (100-16S) or Viton (100-16V) rubber seals. Please specify material when ordering.
 1. Items 34 and 35 are not shown.

DEMA BLEND CENTER
MODELS: 633GAP INSTALLATION INSTRUCTIONS
PROPORTIONER AND ACTION GAP BREAKDOWN

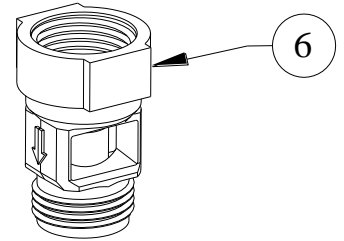
*1 GPM
Proportioner*



*4 GPM
Proportioner*



"Action Gap"



NO.	PART NO.	DESCRIPTION
1	150-6	Rubber Washer
2	61-36	Flow Disk
3	16-3-6	1/2" I.D. x 6" Lg. Vinyl Outlet Tube (1 GPM Only)
4	61-21	1/2" I.D. x 6' Lg. Vinyl Outlet Tube (4 GPM Only)
5	63-89-1	Rubber Washer (1/32" Thick)
6	16-30	Action Gap Assembly