

DEMA 5800V-RB

SOLID RINSE BOWL

INSTALLATION INSTRUCTIONS

All hardware required for installation is included with unit per individual order. No brackets or other hardware necessary.

NOTE: ALL WORK SHOULD BE DONE IN A NEAT WORKMANSHIP MANNER AND ADHERE TO ALL APPLICABLE PLUMBING CODES.

I. Wall Mounting

1. Drill holes approximately 1" deep in wall, to match mounting holes in Bowl. If wall is tile or masonry, use 1/4" masonry bit.
2. Drill holes in wall to match outer mounting holes in Bowl or slots in back of Bowl. For outer mounting holes, remove Spray Arm and Float Switch before mounting.
3. Mount Bowl to wall using mounting screws and anchors provided. Bowl should be mounted below eye level if possible.

II. Electrical Connection

1. Loosen the clamp on the valve
2. Run the attached wire harness through a conduit, insert conduit inside the valve and tighten down the clamp
3. Attach the other end of wire harness to the dispenser via a conduit fitting on the dispenser.
4. Attach QC's from the pre-wired wire harness to the terminals of the dispenser.

NOTE: 24V- 50/60 HZ / 10W coil is standard on 24 volt units.

LISTED BELOW IS THE TYPE OF VOLTAGE NECESSARY FOR EACH VALVE TO OPERATE

PART NO.	AC/DC	VOLTAGE
5800V-RB	AC	24V
5800V-RB-4	DC	24V
5800V-RB-B	AC	24V
5800V-RB-QT	DC	12V

III. Connection to Water Supply (See Figure 1)

Water temperature should be kept between 120 and 140 deg. F if possible.

WATER TEMPERATURE SHOULD NEVER EXCEED 160 DEGREES FAHRENHEIT.

1. Insert one end of stainless steel tube into fitting at top of spray arm on Bowl.
2. Attach the Vacuum breaker elbow fitting to the stainless steel tube.
3. Attach the included 1/4" O.D. tubing to the valve and to the straight fitting on the vacuum breaker.

IV. Connection to Rinse Pump

On the bottom of the Solid Rinse Bowl in the reservoir, a 1/4" John Guest fitting has been attached to make the rinse pump connection. This fitting is to be connected to the suction side of the rinse pump with 1/4" plastic tubing. The reservoir will automatically fill the first time the detergent dispenser is turned on. The Solid Rinse Bowl will then keep some of the liquefied rinse additive in the reservoir at all times.

A level control switch (LCS) is used to automatically maintain the amount of rinse additive in the reservoir. At all times the level control switch will control the rinse additive level in the reservoir.

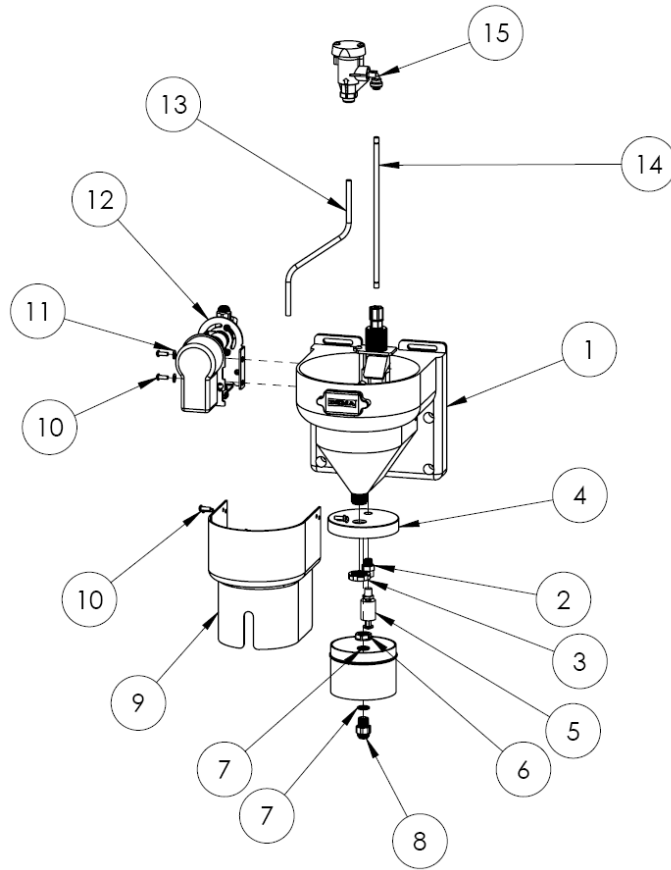
The detergent dispenser may call for the detergent numerous times after the reservoir is full, but no more product will be dissolved until the LCS senses that more is needed.

DEMA 5800V-RB

SOLID RINSE BOWL

INSTALLATION INSTRUCTIONS

Fig 1.



NO.	PART NO.	DESCRIPTION
1	580-RB	VIKING Rinse Bowl
2	58-137-1	Rinse Adapter for Float Switch
3	58-400-2	1/2" NPT Nut
4	58-135-1	Rinse Bowl Lid
5	58-322-5X	Float Switch
6	58-400-1	1/4" NPT Nut
7	30-5-14	O-Ring
8	58-103-2	1/4" x 1/4" JG Straight Fitting
9	58-134-1	Shroud
10	44-116-1	Float Switch Assy (Brass Fittings)
11	61-68	Washer
12	442P-SLS-ACJG	AC Valve Assembly
	442P-SLS-DCJG	DC Valve Assembly
13	58-97-9	1/4" O.D. LDPE Tubing
14	58-6	S.S. Tube
15	58-2	Vacuum Breaker w/J.G. Fittings (Plastic)
	58-116	Vacuum Breaker w/ Compression Fittings (Brass)
16	81-198-8	Wire harness (Attached to Valve)
	25-210	Wire harness with plug in power supply (Attached to valve on 12V unit only)
17	41671-1	Paddle Extender (Not shown, Included with 12V unit only)

RETURNS:

NO MERCHANDISE MAY BE RETURNED FOR CREDIT WITHOUT DEMA'S WRITTEN PERMISSION. RETURN MERCHANDISE AUTHORIZATION NUMBER REQUIRED IN ADVANCE OF RETURN.

WARRANTY:

DEMA products are warranted against defective material and workmanship under normal use and service for one year from the date of manufacture. This limited warranty does not apply to any products which have a normal life shorter than one year or failure and damage caused by chemicals, corrosion, improper voltage supply, physical abuse, or misapplication. Rubber and synthetic rubber parts such as "O"-rings, diaphragms, squeeze tubing and gaskets are considered expendable and are not covered under warranty. This warranty is extended only to the original buyer of DEMA products. If products are altered or repaired without prior approval of DEMA, this warranty will be void.

Defective units or parts should be returned to the factory with transportation prepaid. If inspection shows them to be defective, they will be repaired or replaced without charge, F.O.B. factory. DEMA assumes no liability for damages. Return merchandise authorization number, to return units for repair or replacement, must be granted in advance of return.