

NITRO

THE COMPACT MULTI-FEATURE WAREWASH DISPENSER

The NITRO Warewash Dispenser bridges the gap between compact basic dispensers and feature packed units too large for small kitchens. NITRO has the versatility to be used with or without a probe from the same unit and the flexibility to be used on a single tank, door or conveyor machine. NITRO delivers premium features in a compact size with reduced installation and maintenance requirements that significantly lower the total cost of ownership.



- PROBE OR PROBLESS OPERATION FROM THE SAME UNIT
- COMPACT SPLASH RESISTANT ABS ENCLOSURE
- VARIABLE DETERGENT FEED RATE FOR CUSTOMIZED APPROCH TO CONCENTRATION SET-POINT
- PASSWORD PROTECTED DIGITAL PROGRAMMING CAN BE PRE-PROGRAMMED FOR FASTER INSTALLATION
- BUILT-IN RACK COUNTER
- MULTILINGUAL DISPLAY – ENGLISH, SPANISH, FRENCH AND PORTUGUESE
- PRE-WIRED POWER SUPPLY TO REDUCE INSTALLATION TIME
- WALL MOUNTING BRACKET FOR EASY INSTALLATION AND REMOVAL
- QUICK CHANGE PUMP COVER FOR TOOL-LESS TUBE CHANGING
- OPTIONAL MAGNETIC FIELD READER FOR EVEN FASTER AND SAFER INSTALLATION
- OPTIONAL INDUCTIVE PROBE FOR HARD WATER REQUIREMENTS



SANITIZER PUMP EASILY
INTEGRATES TO THE
NITRO OR NITRO EXPRESS

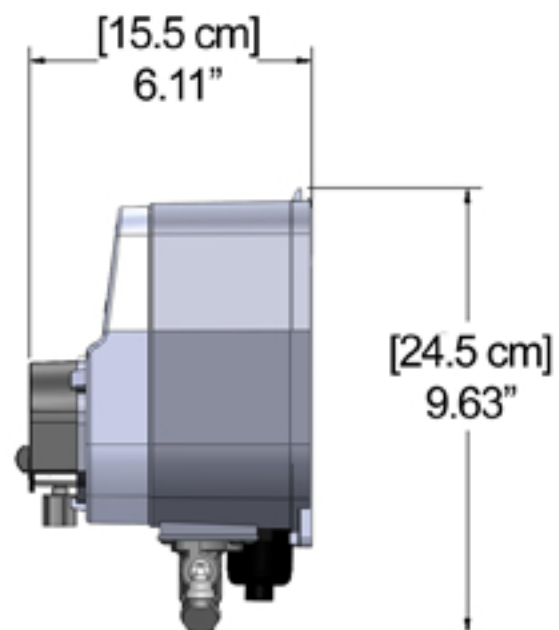
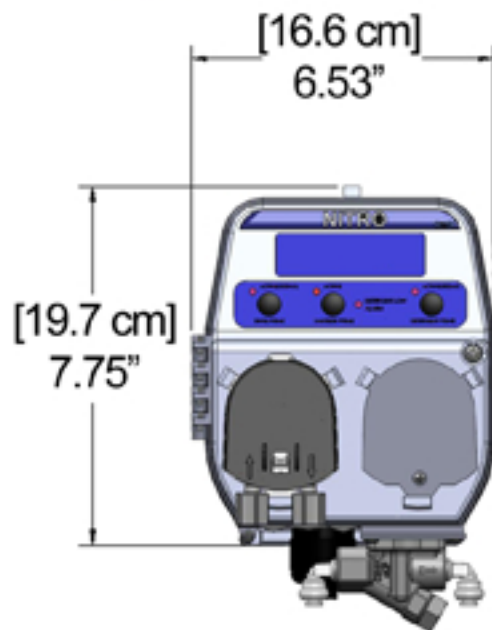
DEMA



NITRO EXPRESS

COMPACT ANALOG WAREWASH DISPENSER

The Nitro Express has many of the great features found in the NITRO but with traditional analog programming. Designed to reduce installation and service time, the NITRO EXPRESS comes with a pre-wired power supply, mounting bracket and quick change pump cover for tool-less tube changing. The NITRO EXPRESS uses the same compact enclosure as NITRO to fit in small kitchen environments.



MODELS

Options	Liquid Detergent/Liquid Rinse	Dry Detergent/Liquid Rinse
	Liquid Detergent/Rinse/Sanitizer	Dry Detergent/Liquid Rinse/Sanitizer
NITRO Part Numbers	N-LL-TA or N-LL-MA	N-DL-TA or N-DL-MA
	N-LLL-TA or N-LLL-MA	N-DLL-TA or N-DLL-MA
NITRO EXP. Part Numbers	NE-LL-A	NE-DL-A
	NE-LLL-A	NE-DLL-A
Add-on Sanitizer Pump Part Numbers	O-ADC	(For N-LL-A and N-DL-A)

SPECIFICATIONS

Main Power	120-250V AC	50/60 Hz 1.5A
Motor/Solenoid Rating	24VDC	
Trigger Voltage	24-480V	
Case Material	ABS	
Environmental Temp	32-104°F	0-40°C
Detergent Pump Rate	6 oz/min	180 ml/min
Rinse Pump Rate	1.35 oz/min	40 ml/min
Sanitizer Pump Rate	1.35 oz/min	40 ml/min

