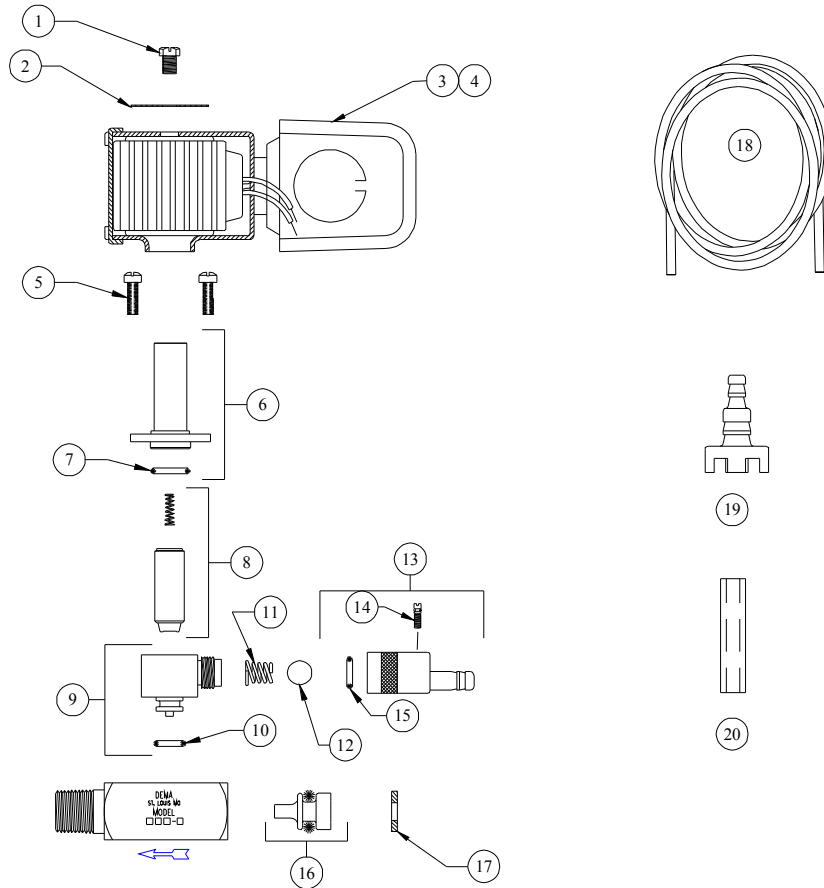


# INJECTORS WITH SOLENOID VALVES

## MODELS 203V, 203-2V, 204V, 204-2V, 206-2V, 208-2V



NO.	PART NO.	DESCRIPTION
1	41-14-1	Top Plug Screw
2	41-13-15	Name Plate
3	41-9-1	Solenoid Coil Assy. (Specify Voltage) Junction Box As Shown
4	41-9C-1	Solenoid Coil Assy. (Specify Voltage) Conduit Connection As Shown
5	41-16-5	Tube Screw
6	41-7-1	Enclosing Tube Assy.
7	41-5-8	O-Ring
8	41-2-13	Plunger Assy.
9	41-8-1	Valve Body Assy.
10	23-2	O-Ring
11	24-23	Spring, Carpenter
12	24-24P	Check Valve Ball
13	24-26L	Metering Knob with O-Ring
14	100-24	Metering Screw
15	24-25	Check Valve O-Ring

NO.	PART NO.	DESCRIPTION
16	24-8-10	Water Nozzle and O-Ring (203-2V)
	24-8-11	
	24-8-12	
	24-8-13	Water Nozzle and O-Ring (203-V & 204-2V)
	24-8-14	
	24-8-15	
	24-8-16	Water Nozzle and O-Ring (204-V & 206-2V)
	24-8-17	
	24-8-18	
24-8-19	Water Nozzle and O-Ring (208-2V)	
24-8-20		
24-8-21		
17	24-31-3	Backup Washer (203-V & 203-2V)
	24-31-4	Backup Washer (204-V & 204-2V)
	24-31-5	Backup Washer (206-2V)
	24-31-6	Backup Washer (208-2V)
18	100-12	Tubing 3/8" ID, 1/2 OD 8' Lg.
19	24-11SP	Strainer Foot
20	61-107-2	Ceramic Weight