

## GUARANTEE

DEMA Australia guarantees all units and probes to be free from defects in material and workmanship when subjected to normal use and service. Any claim will not be recognised without a guarantee registration or other proof of purchase.

Please complete and return this registration form to the address shown below:

Name: \_\_\_\_\_

Address: \_\_\_\_\_

Town: \_\_\_\_\_ State: \_\_\_\_\_ Postcode: \_\_\_\_\_

Date of Purchase: \_\_\_\_/\_\_\_\_/\_\_\_\_ Purchased From: \_\_\_\_\_

Unit Purchased: \_\_\_\_\_ Serial Number: \_\_\_\_\_

**DEMA AUSTRALIA  
5/7-11 PARRAWEENA ROAD, CARINGBAH  
NSW 2229**

-----CUT ALONG DOTTED LINE-----

20.

Congratulations on the purchase of the automatic Chlorine and pH controller for your swimming pool or spa.

This system is designed to save you time and inconvenience by automatically controlling the correct chlorine and pH levels in your pool or spa, to maintain sparkling clear and clean water all year round. The unit is equipped with pumps sufficient for all spas, domestic pools and commercial applications.

Not only is the system completely automatic but it is a self-regulating unit that will measure the chlorine/ORP\* and pH levels in your pool and adjust them accordingly, by either adding or stopping the addition of acid or chlorine.

The Siesta is covered by a comprehensive 12 month warranty as detailed on the Warranty Card provided.

We recommend that you take the time to read through your Installation and Owners Manual for a more detailed insight into the set up and care of the system.

Thank you for deciding on a Siesta Controller for your pool or spa.

\*ORP - Chlorine levels are measured as ORP, which is an abbreviation for OXIDATION REDUCTION POTENTIAL and when used correctly in pool systems will indicate chlorine levels.

# CONTENTS

1	INTRODUCTION
2	CONTENTS
3-5	INSTALLATION INSTRUCTIONS
6-8	OPERATION
9	SIESTA CONTROLLER DIAGRAM
10	COMPONENTS CHECKLIST
11	IMPORTANT - WATER CARE
12	SERVICING
13-14	CHANGING SETTINGS
15	SIESTA SET-UP
16	CHLORINE PUMP HEAD TUBE CONNECTIONS
17	ACID PUMP HEAD TUBE CONNECTIONS
18	TROUBLE SHOOTING GUIDE
19	WARRANTY CONDITIONS
20	WARRANTY CARD

2.

## WARRANTY

All DEMA Australia products are warranted against defects in material and workmanship for a period of twelve (12) months from the date of purchase. Warranty applies only to the repair or replacement, repairing or adjusting such parts when the unit is returned to the factory (complete with probes and serial number intact), freight prepaid, and found to be defective upon factory inspection. The warranty period on probes is three (3) months. Rubber and synthetic products such as 'o' rings, diaphragms and tubing are not covered by this warranty. Warranty does not cover liability resulting from performance of this equipment nor the labour to replace this equipment. Modifications and repairs by unauthorised persons, product misuse and abuse voids this warranty.

Shipping damage is not covered by this warranty.

**PLEASE NOTE:** A guarantee registration sheet is included with the unit. The registration selection must be completed at the time of purchase and returned to DEMA within thirty (30) days. Any claim will not be recognised without a guarantee registration or other proof of purchase.

19.

# TROUBLE SHOOTING

## FEEDER NOT PUMPING:

- 1 Check that there is power to the unit.
- 2 Check that the tubes are at the bottom of the containers.
- 3 Make sure chemical containers are not empty.
- 4 Check suction and delivery tubes for leaks.
- 5 Check squeeze tubes for leaks.
- 6 Check for blockage at the injector points.

## POOR CHLORINE LEVEL/POOL CONDITION:

- 1 Check pool water condition/quality.
- 2 Check chlorine/acid containers.
- 3 Check chlorine strength.
- 4 Check for secure probe connections.
- 5 Are the probes clean? If not, clean probes
- 6 Check pH and ORP settings against recommendations.

18.

# INSTALLATION INSTRUCTIONS

## 1 CONTROL CABINET

Mount the Control Box onto a shelf or wall not more than 2 metres from the chlorine and acid containers. There are keyhole slots provided in the back of the box provided for wall mounting. Make sure that other equipment is not directly below the controller.

Do not mount in an exposed area, pool zone or in direct sunlight.

## 2 TUBE CONNECTIONS - (Refer to diagrams on page 14 & 15)

Decide where in the 'return to pool line' poly tees are to be installed. Push the poly barbed connectors into the suction side of each pump, the NON RETURN valve into the discharge side of the chlorine pump and the other poly barb into the discharge of the acid pump. Cut and push the required lengths of poly tube into these fittings. Fit the ends of the SUCTION poly tubes through the ceramic weight, fit the retainers and drop the assemblies into their respective containers.

Fit the ends of the DISCHARGE poly tubes into the injection fittings in the poly tees. Be sure to push the tubing right through the tee fitting and into the opposite internal wall, then pull back 10 mm and tighten the nut.

**IMPORTANT:** Be sure to install the acid discharge tube into the injector on the poly tee **WITHOUT** the probe fittings.

3.

# OPERATION

Ensure that chlorine and acid containers are full. A maximum acid drum size of 15 litres is recommended.

## A POWER UP DISPLAYS

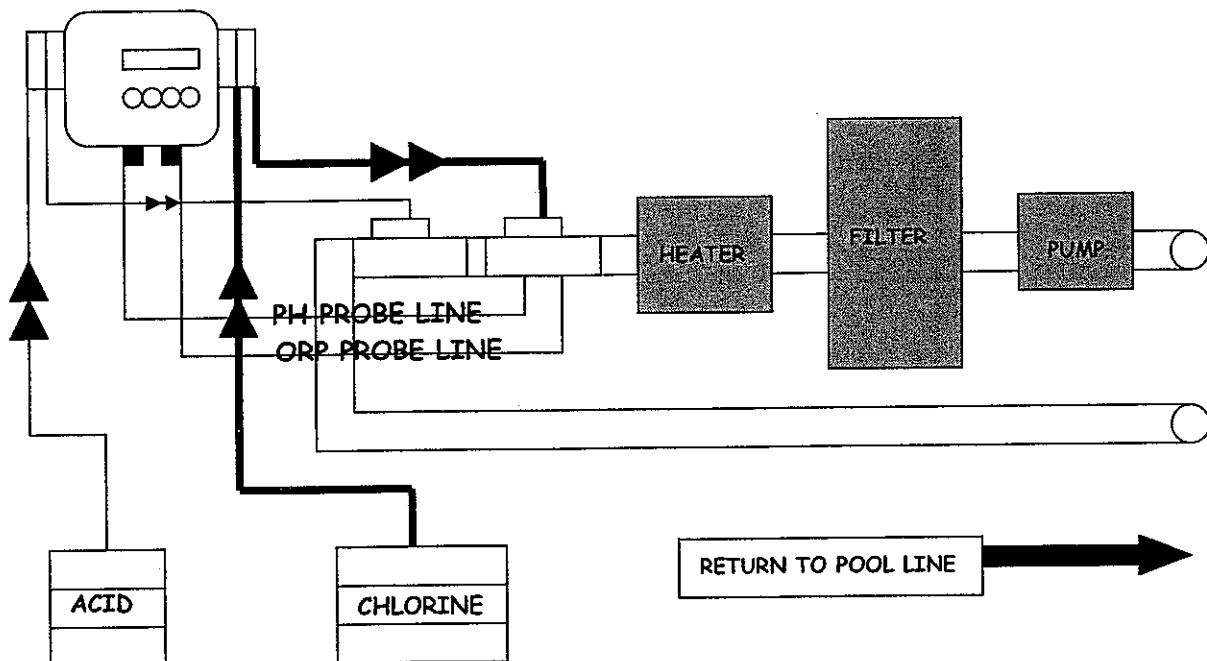
- 1 Switch power onto the unit (Siesta and Filter Pump). Siesta will first appear on the screen and will be in ON mode. The current pH and ORP readings will scroll across the screen and pumps will run.
- 2 There are two modes of operation and each is accessible by pressing the ENTER button to the desired mode.

ON Mode - used for reading and changing settings. (pH and ORP/Chlorine)

OFF Mode - turns off power to Siesta operation.

6.

# SIESTA SET-UP



15.

## CHANGING SETTINGS (SYSTEM PARAMETERS) CONT.....

### (B) ORP (mV) Set point (Range:- 999mV to 999mV)

- 1 Following on from step 3a, use the arrow UP or DOWN buttons until the ORP SET POINT appears on the screen.
- 2 Press ENTER once. The current ORP set point is displayed.
- 3 To adjust the ORP set point, push the arrow UP or DOWN buttons to the desired setting.
- 4 To save the adjusted setting, press the MODE button once.

Once all desired settings are obtained, the unit will need to be placed back into ON mode. To do this carry out the following:

- 1 Following from any of the settings above, press the MODE button once. Press the arrow UP or DOWN until MONITOR appears on the screen.

The Siesta is now operational and has retained all changed parameter settings.

14.

## OPERATION CONT.....

### (A) Power up displays - continued

The display scrolls between the items as shown below:

MODE	DISPLAY SHOWN
ON	ON, Ph reading, ORP/Chlorine reading
OFF	OFF

NOTE: Figure shown in brackets on display are the set points for pH and ORP/Chlorine.

### (B) Adjustments

- 1 Factory settings can only be changed on ON mode. The following settings are pre-set. To adjust any of the settings see page 11 - Changing Settings.

FACTORY SETTINGS	
pH Set Point	7.5
ORP Set Point	700mV

7.

(B) Adjustments cont.....

- 1 The chlorine pump will start whenever the ORP/Chlorine probe senses a need for more chlorine to be injected into the pool system. It will start and stop automatically and according to the settings preset.
- 2 The acid/pH pump will start whenever the pH probe senses a need for more acid to be injected into the pool system. It will start and stop automatically and according to the settings preset.
- 3 Allow a few hours for the Siesta to stabilise.
- 4 During heavy bathing periods or excessive rain, the Siesta will dose the correct amount of chlorine and acid to keep your pool at the required set chlorine and pH levels.

**Important:** The pool pH level must be kept at the correct level for efficient control.

8.

## CHANGING THE SETTINGS-(System Parameters)

**NOTE:** Adjustments to settings can only be made in the ON mode. To change to ON mode do the following:

- 1a Press the ENTER button until ON appears on the screen. Settings can now be changed.

To change the settings (A) or (B) below, it is necessary to be in SYS.PARAMETERS.

- 2a Following on from step 1 above now press the MODE button.
- 3a Press the arrow UP button until SYS. PARAMETERS appears on the screen. Then press the ENTER button once.

(A) pH Set Point (Range: 0.0 to 14.0)

- 1 Following on from step 3a (above), use the arrow UP or DOWN buttons until the pH Set Point appears on the screen.
- 2 Press ENTER once. The current pH set point is displayed.
- 3 To adjust pH set point press arrow UP or DOWN buttons to the desired setting.
- 4 To save the adjusted setting, press the mode button once.

13.

## SERVICING

- Clean the injection points regularly.
- Lubricate the squeeze tubes regularly with approved lubricant every three months.
- Replace the squeeze tubes every twelve months.
- Check the chlorine probe periodically. Clean with mild acid solution.
- Check the pH probe periodically.
- A Pool Shop should check probes every twelve months.

### NOTE:

- 1 It is strongly advised that a sun-screening chemical (stabiliser) be used when using liquid chlorine.
- 2 The use of copper based algaecides is not recommended as this may cause coating of the probe.
- 3 The use of calcium hypo may cause scaling.
- 4 Operate the controller at the same time every day.

For sales and service advice, please call your authorised Pool Store or:

DEMA AUSTRALIA - 5/7-11 PARRAWEENA RD

CARINGBAH, NSW 2229

TEL: (02) 9525-5177 FAX: (02) 9525-5033

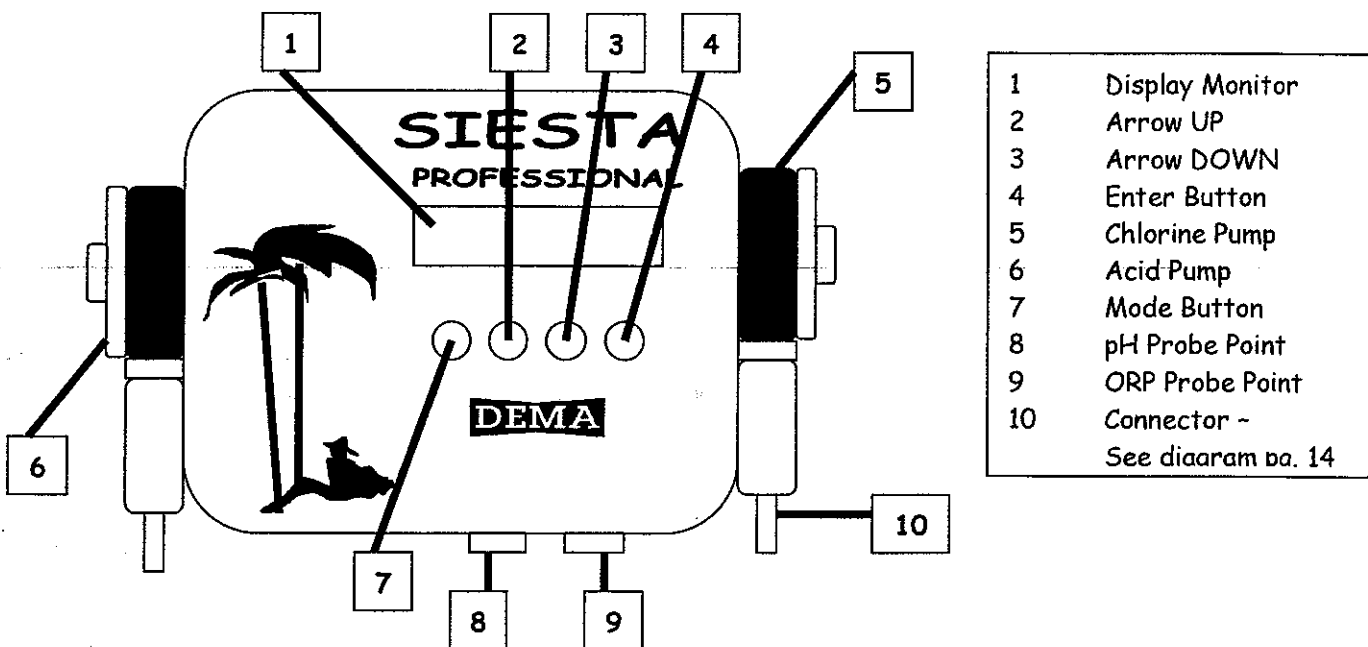
[www.demaeng.com](http://www.demaeng.com)

Manufactured by: DEMMA AUSTRALIA

Product approval number: Q93184 (IP23 Specification)

12.

# SIESTA CPHP/CPHTP CONTROLLER



## COMPONENTS CHECKLIST

1pc. Control box with pumps

### Parts for Liquid Chlorine Feed Pump

1pc. 6mm Poly Delivery tubing, 4 metres

1pc. Drum weight and Retainer

1pc. 6mm Poly Tube Connector

1pc. 6mm Poly Non-Return Valve

### Parts for Water Line Connection

2pcs. 40mm x 12mm Poly Pipe Tee

2pcs. 6mm x 12mm bsp Connector Injection Fittings

1pc. Chlorine Probe and 2 metre Lead

1pc. pH Probe and 2 metre Lead

### Parts for Acid Feed Pump

1pc. 6mm Poly Delivery Tubing, 4 metre

1pc. Drum Weight and Retainer

2pcs. 6mm Poly Tube Connector

10.

## IMPORTANT - WATER CARE

The Siesta Automatic Chlorine and pH Controller is designed to automatically control the chlorine and pH levels in your pool or spa, however it is important to test your pool water everyday to ensure correct water balance.

The Siesta Controller measures the chlorine level in the water via a probe which is reading the ORP (Oxidation Reduction Potential) level. ORP is a measurement of the oxidising property of the chlorine in the water. It is essential to test chlorine levels using a manual test kit to ensure adequate free available chlorine levels.

It is advisable to take a water sample to your local Pool Shop at least once a month to maintain correct levels.

Your local Pool Shop Professional will conduct a comprehensive test of all chemical levels including;

- Chlorine
- pH Balance
- Total Alkalinity
- Calcium Hardness
- Stabiliser

It is essential that all levels are correct to ensure safe, healthy water and to confirm the correct operation of the Siesta Controller.

11.