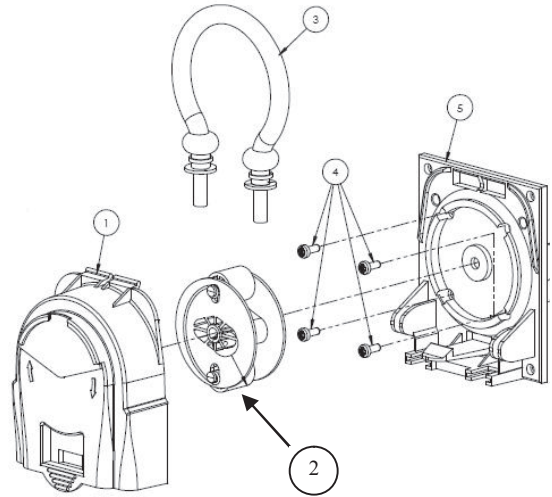


SHOWN  
WITH AC  
MOTORS

NO.	DEMA NO.	DESCRIPTION
1	81.289.230MK	230V AC 50/60HZ 60 RPM MOTOR
	80.59.105MK	24V DC 105 RPM GEAR MOTOR
2	81.122.1	PUMP BLANK PLUG
3	81.69	LOCK AND KEY SET
4	81.148.3	1/2" CONDUIT FITTING
5	81.15.4	BARRIER STRIPS



NO.	DEMA NO.	DESCRIPTION
1	84.209.1	PUMP COVER ASSEMBLY (P)
	81.174.1	PUMP COVER ASSEMBLY (J)
2	84.207.1	ROLLER BLOCK ASSEMBLY (P)
	81.172.1	ROLLER BLOCK ASSEMBLY (J)
3	84.208.1	SQUEEZE TUBE ASSEMBLY, EPDM (P)
	81.177.1	SQUEEZE TUBE ASSEMBLY, EPDM (J)
	84.208.3	SQUEEZE TUBE ASSEMBLY, SILICONE (P)
	81.177.4	SQUEEZE TUBE ASSEMBLY, SILICONE (J)
	84.208.5	SQUEEZE TUBE ASSEMBLY, VITON (P)
	81.177.5	SQUEEZE TUBE ASSEMBLY, VITON (J)
4	25.85.2	10-32 X 1/2 SS PHIL SCREW
5	84.188.1	LARGE PUMP BASE (P)
	81.128.2	SMALL PUMP BASE (J)