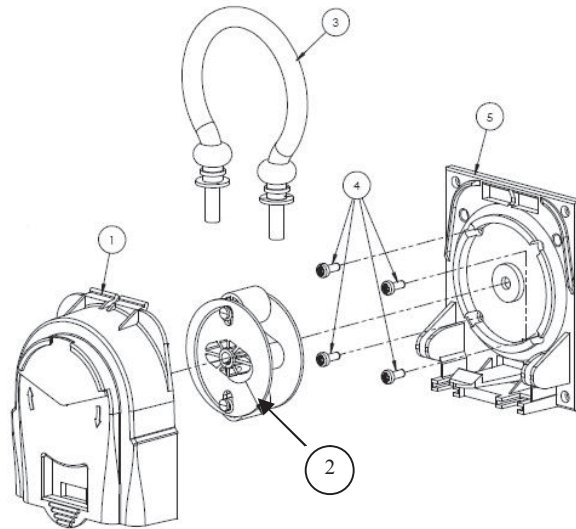


NO.	DEMA NO.	DESCRIPTION
1	81.289.230MK	230V 50/60HZ GEAR MOTOR
2	81.122.1	PUMP BLANK PLUG
3	81.69	LOCK AND KEY SET
4	81.148.3	1/2" CONDUIT FITTING
5	81.15.4	BARRIER STRIPS



NO.	DEMA NO.	DESCRIPTION
1	84.209.1	PUMP COVER ASSEMBLY
2	84.207.1	ROLLER BLOCK ASSEMBLY
3	84.208.1	SQUEEZE TUBE ASSEMBLY, EPDM
	84.208.3	SQUEEZE TUBE ASSEMBLY, SILICONE
	84.208.5	SQUEEZE TUBE ASSEMBLY, VITON
4	25.85.2	10-32 X 1/2 SS PHIL SCREW
5	84.188.1	LARGE PUMP BASE