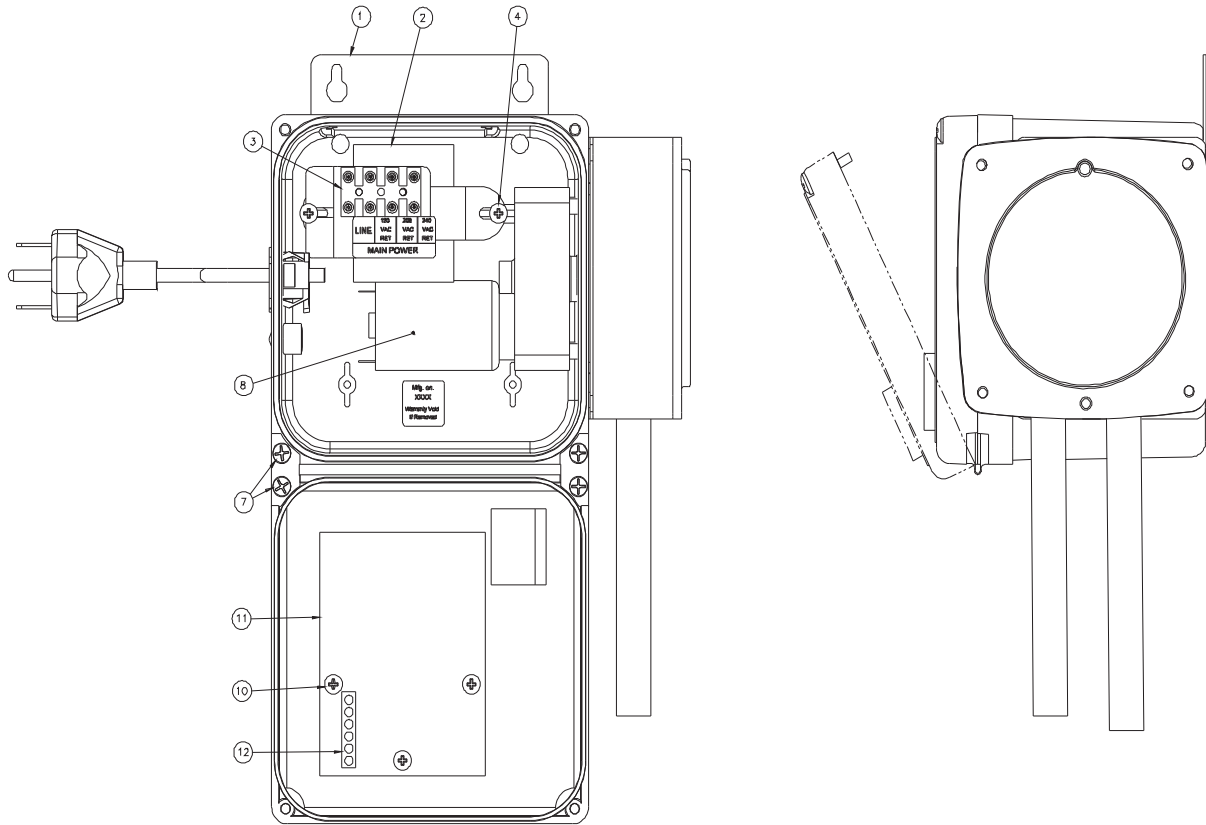


DEMA DC830 TMP-I (Timed Metering Pump)



No.	DEMA Part Number	Description
1	81-1	Mounting Bracket Kit
2	80-70	Transformer (40VA)
3	81-10-4	Terminal Block and Bracket Assy
4	44-116-2	#8 X 3/8" Hi-Lo Screw (for mounting transformer)
5	81-41	TMP-I box lid with captive screws
6	81-40	TMP-I box with gasket and threaded inserts
7	81-6	Hinge and Screw Kit
8	80-59-60	60 RPM Gear/Motor
10	81-20-2	#4 Hi-Lo Screw (used for mounting circuit board)
11	85-38-7	Single Product Laundry Control Board (circuit board)
12	81-13-6	Modular 6 Pole Terminal Block (used on circuit board)
13	81-35	Fuse Holder