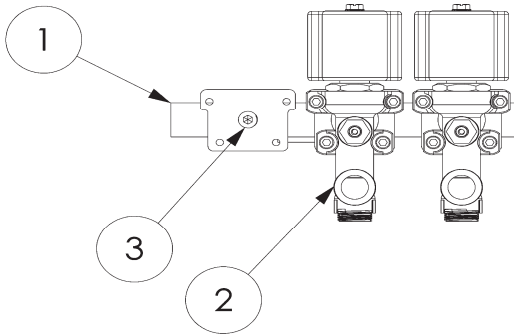
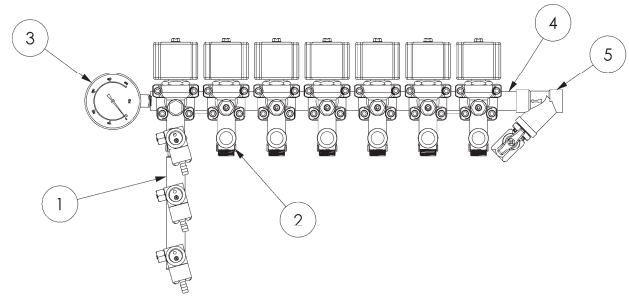


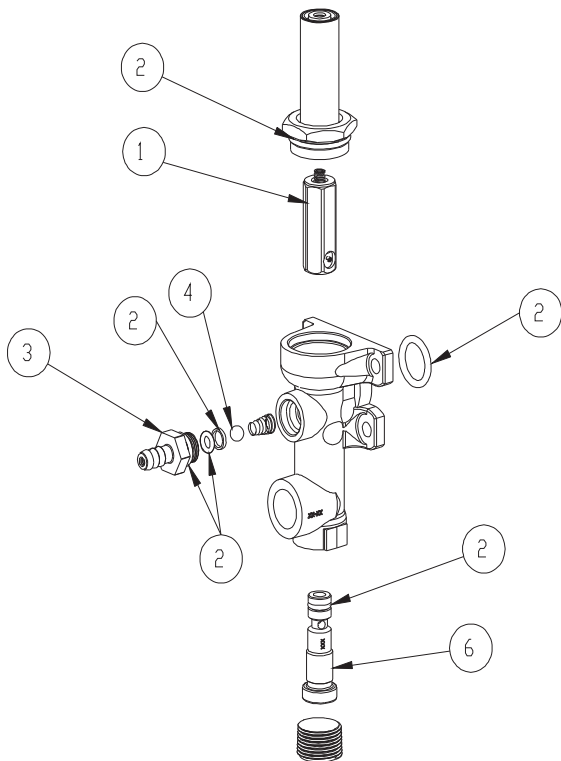
# Dema Chemical Delivery System



NO.	PART NO.	DESCRIPTION
1		3 STATION MANIFOLD ADDITION
2	CDS.VI	VALVE-INJECTOR READY
3		1/8" NPT PLUG



NO.	PART NO.	DESCRIPTION
1	CDS.VF	VALVE ASSEMBLY W/FOAM CHAMBER
2	CDS.VI	VALVE-INJECTOR READY
3	95.15.3	PRESSURE GAUGE
4		7 STATION MANIFOLD
5	S4BN.3.80	Y-STRAINER W/BALL VALVE FLUSH



NO.	PART NO.	DESCRIPTION
1	CDS.2	PLUNGER ASSEMBLY KIT
2	CDS.4	O-RING KIT
3	CDS.3	CHECK BARB ASSEMBLY KIT (INCLUDES BARB, O-RINGS, RETAINING COLLAR, BALL, AND SPRING)
4		TEFLON BALL, 7/32 DIA. (IN CHECK BARB ASSEMBLY KIT)
5	-----	O-RING RETAINING COLLAR (IN CHECK BARB ASSEMBLY KIT)
6	CDS.1.059	INJECTOR CHOKE TUBE KIT (INCLUDES O-RING)
	CDS.1.073	
	CDS.1.086	
	CDS.1.098	
	CDS.1.110	