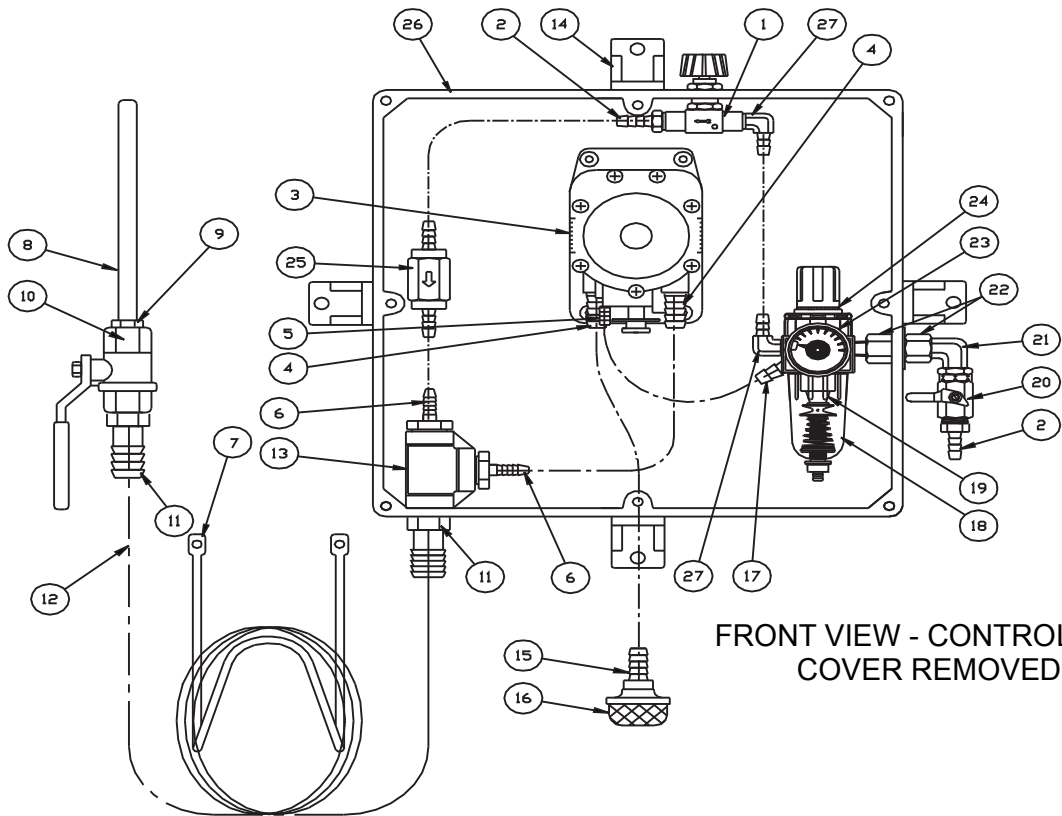


DEMA®

900-WALL



FRONT VIEW - CONTROL BOX
COVER REMOVED

ITEM	PART NO.	DESCRIPTION
8-11	9SSWA38	S.S. WAND ASSEMBLY
1	9NV14Y	NEEDLE VALVE (WET FOAM / DRY FOAM)
2	9HBB1438	BRASS HOSE BARB 1/4"X3/8"
3	9P56	PUMP
4	9HB5638	PUMP HOSE BARB 3/8"
5	9HB14P	PUMP HOSE BARB 1/4"
6	9HBSS1238	S.S. HOSE BARB 1/2"X3/8"
7	9SSHH	S.S. HOSE HANGER
8	9W387	S.S. WAND 3/8"X7"
9	9HHSB1238	S.S. HEX HEAD BUSHING 1/2"X3/8"
10	9HV60	S.S. BALL VALVE 1/2"
11	9HBSS1234	S.S. HOSE BARB 1/2"X3/4"
12	9H34-50'	DISCHARGE HOSE 3/4" IDX50'
13	9SST12	S.S. TEE 1/2"
14	9PBFT	POLYETHYLENE BOX MOUNTING FOOT WITH SCREW
15	9HB1438	POLY HOSE BARB 1/4"X3/8"
16	9STR14	STRAINER
17	9HBBEL1814	BRASS HOSE BARB ELBOW 1/8"X1/4"
18	9ABR15	REPLACEMENT AIR BOWL
19	9ARF15	REPLACEMENT AIR FILTER ELEMENT
20	9BVB14	BRASS BALL VALVE 1/4"
21	9BEL14M14M	BRASS ELBOW 1/4"
22	9BA25	BRASS MALE / FEMALE ADAPTER 1/4"
23	9AG100	AIR PRESSURE GAUGE
24	9R15	AIR REGULATOR / FILTER UNIT (INCLUDES# 18 & 19)
25	9CV38	PVC CHECK VALVE
26	9PB12126	12X12X6 POLYETHYLENE BOX
27	9HBBEL1438	BRASS HOSE BARB ELBOW 1/4"X3/8"
28	9PL1212	12X12 POLYETHYLENE LID