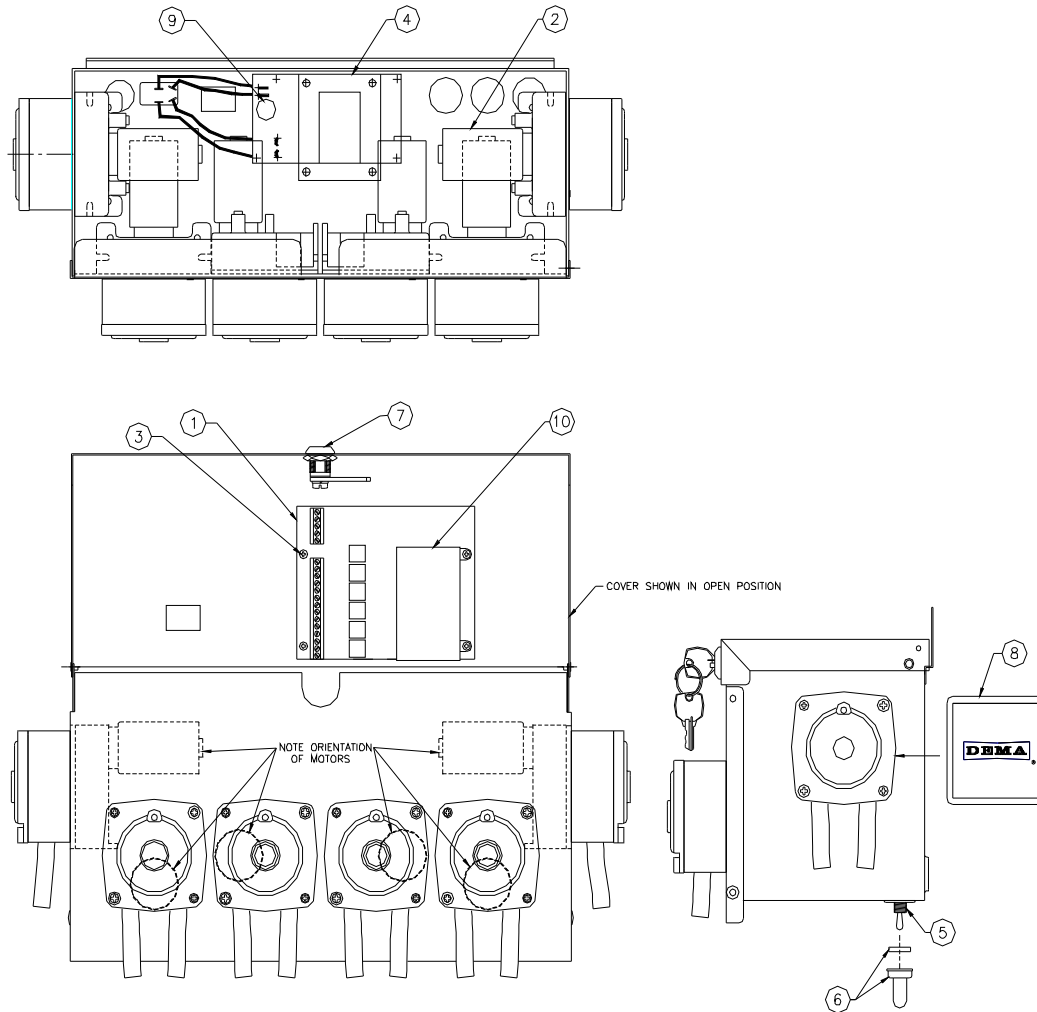


DEMA 844R & 845R LAUNDRY MASTER

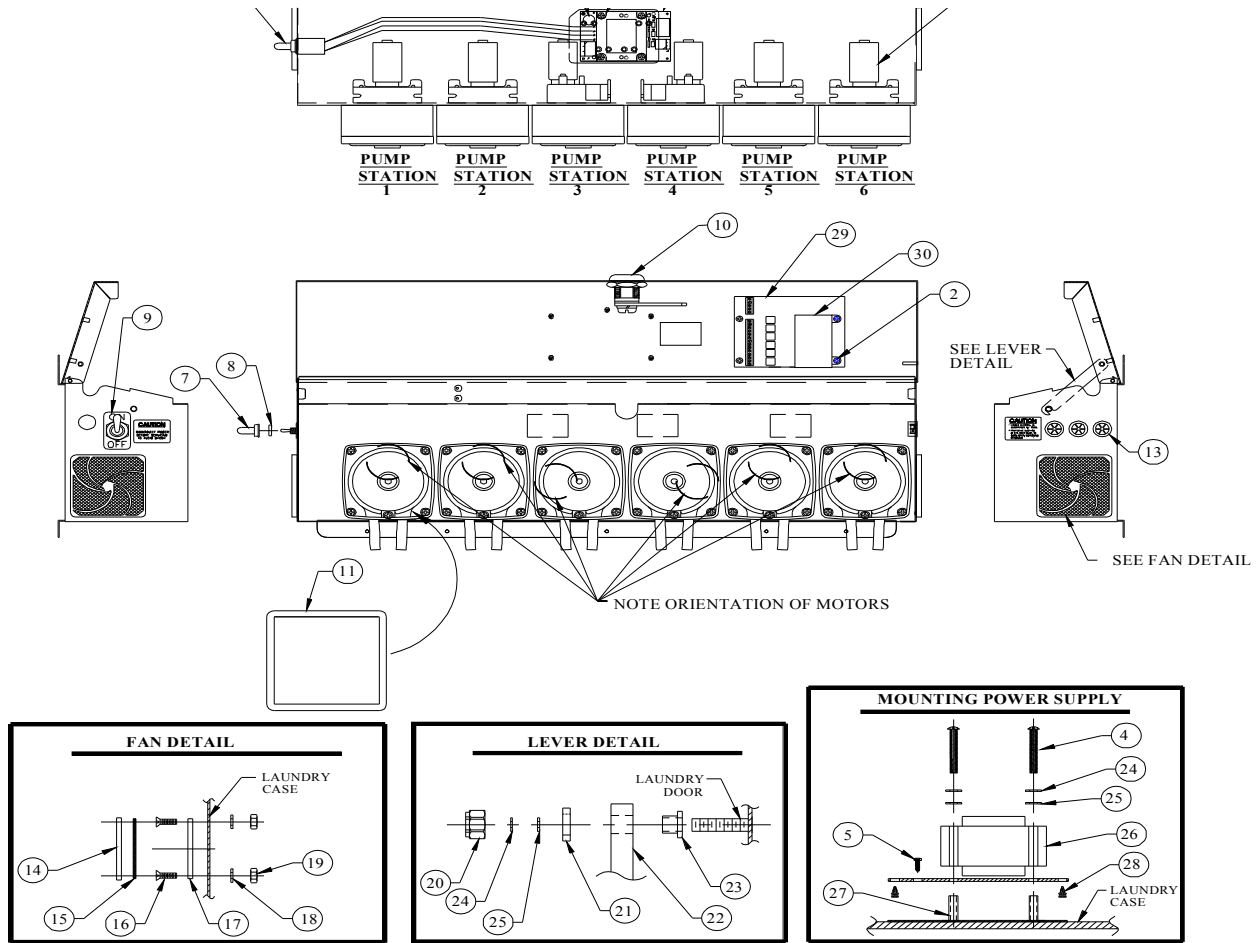


REPLACEMENT PARTS

Item No.	DEMA Part Number	Description
1	84-65-22	DC Relay Board
2	80-59-60 80-59-105	60 RPM Gear/Motor 24VDC 105 RPM Gear/Motor 24VDC
3	41-40	P.C. Board Screw
4	84-65-9	80VA Power Supply Kit
5	83-11	Power Switch (Toggle Switch)
6	84-65-4	Toggle Switch Boot & Mounting Nut
7	84-65-13	Lock and Key Kit
8	81-122-1	Pump Blank Label
9	84-48-2	Fuse 2A, 250V 5 X 20mm Kit
10	84-104-1	DC Relay Board Cover

DEMA 844R & 845R LAUNDRY MASTER

Replacement Parts 845R



Replacement Parts			
Item No.	DEMA Part Number	QTY	Description
1	80-59-60 80-59-105	1 per pump	60 RPM Gear/Motor 24VDC 105 RPM Gear/Motor 24VDC
2	41-40	4	P.C. Board Screw
3	84-2-2	1	80VA Power Supply
4	41-63-12	4	10/32 X 2 1/4 Machine Screws
5	41-40-2	1	#6-32 X 1/2 Machine Screw
6	83-11-2	1	Power Switch (Toggle Switch)
7	84-13-1	1	Toggle Switch Boot
8	84-14-1	1	Toggle Switch Boot Mounting Nut
9	83-14-1	1	On/Off Switch Plate
10	66-21	1	Lock and Key Assembly
11	L732-1	1	Pump Blank Label
12	25-138-3	1	Fuse 2A, 250V 5 X 20mm
13	25-124-5	3	Universal Bushing
14	84-52-1	2	Foam Filter Retainer
15	84-51-1	2	Foam Filter-Cooling Fan
16	84-62-4	8	#6-32 Flat Head Screw
17	84-50-1	2	Fan Guard
18	44-133-5	8	Lock Washer
19	84-32-1	8	#6-32 Stainless Steel Nut
20	84-23-1	1	#10 Lock Nut
21	84-59-1	1	Flat Washer
22	84-58-1	1	Support Lever
23	84-60-1	1	Screw Insulator
24	44-29-1	4	#8 Lockwasher
25	84-22-2	4	#8 Stainless Washer
26	84-2-3	1	80VA Power Supply
27	84-44-1	1	Power Supply Bracket
28	84-26-1	3	Nylon Snap Standoff
29	84-65-22	1	DC Relay Board
30	84-104-1	1	DC Relay Board Cover