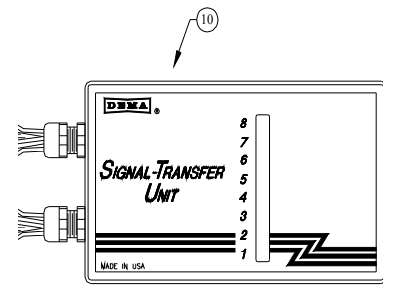
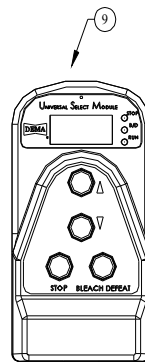
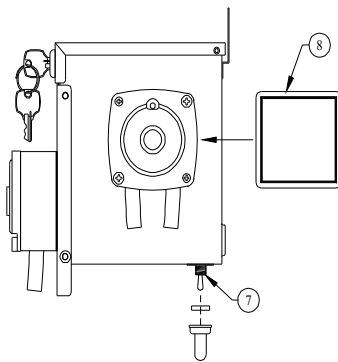
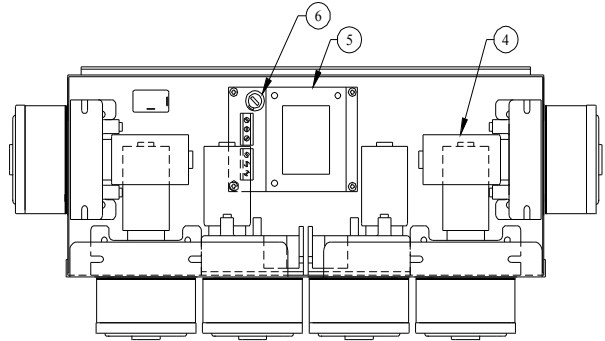
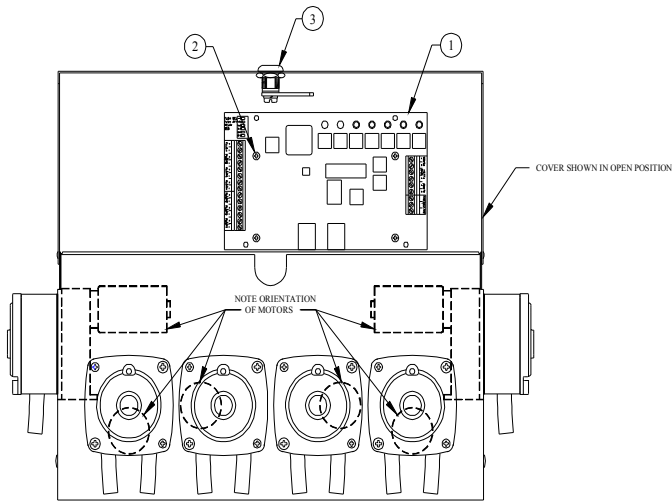


DEMA 844 LAUNDRY MASTER



Item No.	DEMA Part Number	Description
1	84.65.2	IQ-80 Control Board
2	41.40	P.C. Board Screw
3	84.65.13	Lock and Key Kit
4	80.59.60 80.59.105	60 RPM Gear/Motor 24VDC 105 RPM Gear/Motor 24VDC
5	84.65.9	80VA Power Supply Kit
6	84.48.2	Fuse 2A, 250V 5 X 20mm Kit
7	83.11	Power Switch (Toggle Switch)
8	81.122.1	Pump Blank Label
9	84.65.31	USM Kit
10	84.65.6	STU Kit