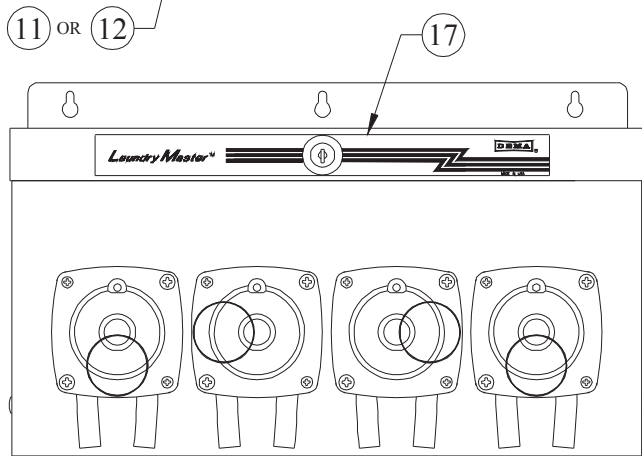
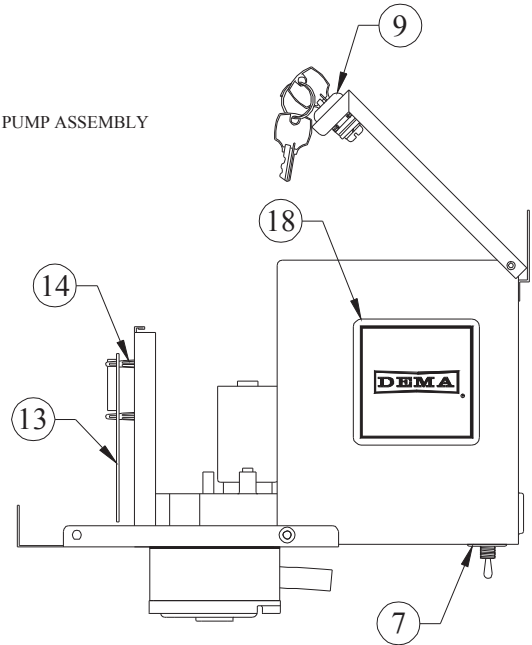


TOP VIEW SHOWN WITHOUT COVER



SEE "C2" PUMP ASSEMBLY



Item No	DEMA No.	Qty. Required	Description
1	80-70	1	Transformer 40VA
2	81-10-3	1	Terminal Block and Bracket Assembly
3	83-23-1	1	# 8 Sheet Metal Screw (mounting transformer)
*4	81-35	1	Fuse Holder
*5	81-34-16	1	Fuse 1A 250V
*6	83-11	1	Toggle Switch
7	83-14-1	1	On-Off Switch Plate
8	25-124-4	4	Universal Bushing
9	66-21	1	Key and Lock Assembly
*10	81-14-15	2	Female Quick Connect
11	80-59-60	Depends on Model	60 RPM Gear/Motor
12	80-59-105	Depends on Model	105 RPM Gear/Motor
13	85-38-3	Depends on Model	Single Product Laundry Control Board (Circuit board)
14	83-38-1	3/circuit board	Snap-in Standoffs
*15	81-36-4	2	Yellow Wire Nuts
*16	81-16-2	3	Wire Tie Wraps
17	L708-1	1	Laundry Master Label
18	L732-1	Depends on Model	Pump Blank Label
**19	L604	1	Caution Label – Electrical
**20	L605	1	Caution Label - Chemical

\*These parts are illustrated in the wiring diagram on page 7.

\*\*These parts are not illustrated in diagram.