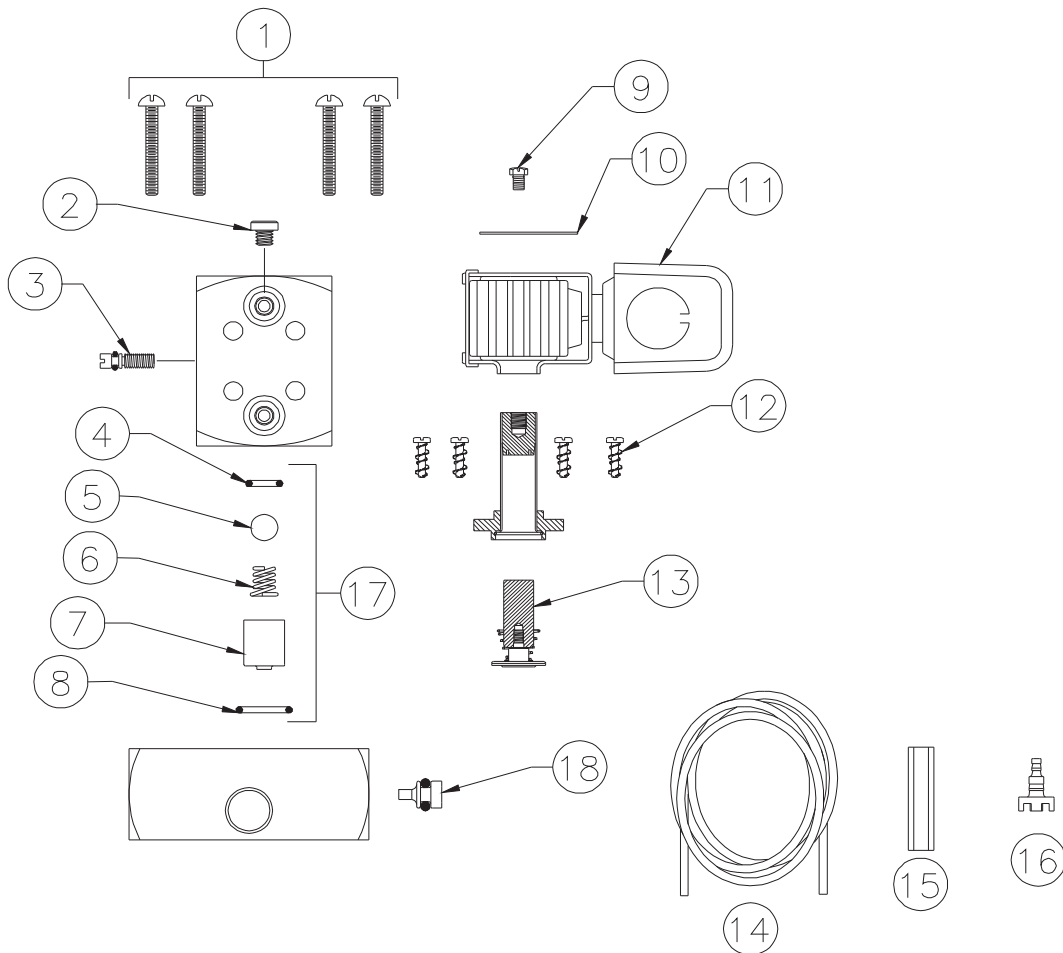


DEMA SINGLE STAGE INJECTOR WITH DUAL SOLENOID VALVES MODELS 716, 716T



NO.	PART NO.	DESCRIPTION
1	24-33-2	Screw #8-32 x 1-3/8 Lg.(4-reqd.)
2	100-15K	Metering Tip Kit (14 Pcs.)
3	100-24P 100-24V	Viton O-Ring EP O-Ring
4	24-25V 24-25	Viton O-Ring EP O-Ring
5	24-24P	¼" Dia. Teflon Ball
6	24-23-2	Hastelloy Spring
7	24-34	Check Valve Core
8	25-29V	Viton O-Ring
9	41-14-1	Top Plug Screw
10	41-13-15	Nameplate
11	41-9-1 41-9C-1	Coil, Junction Box as shown (Specify Voltage) Coil, Conduit Connection (Specify Voltage)
12	66-11	Enclosing Tube Screw
13	41-2-14 41-2-15	Plunger Assembly (E.P. Diaphragm) Plunger Assembly (Viton Diaphragm)
14	100-12	Vinyl Tubing (3/8" O.D. X 8' Long)
15	61-107-2	Ceramic Weight (1/4" I.D.)
16	24-11 MP	Foot Strainer
17	24-62R	Valve Repair Kit
18	See Table 1 For Water Flow	Water Nozzle Bushing