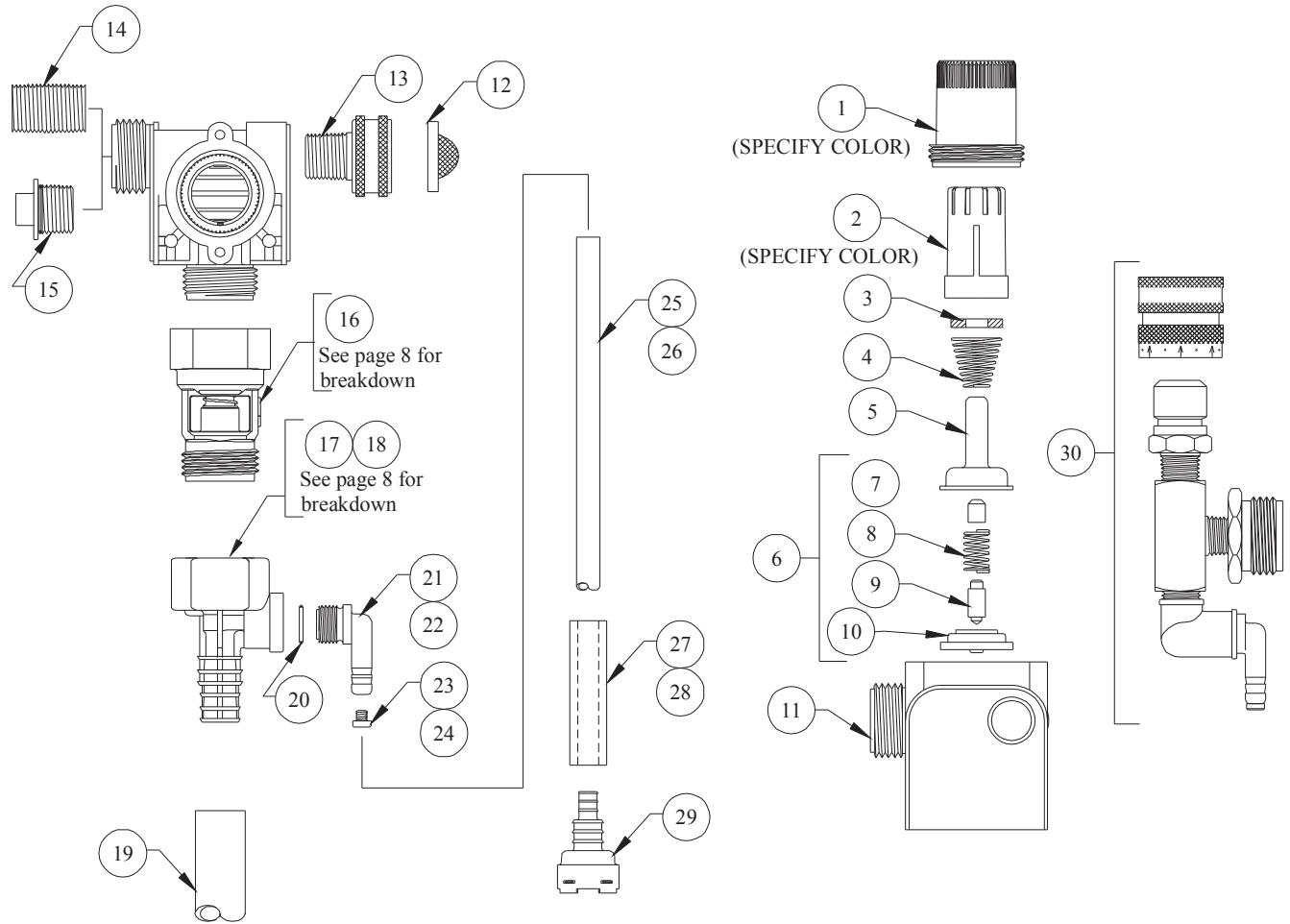


DEMA BLEND CENTER MODEL: 681-5GAP



NO.	PART NO.	DESCRIPTION
1	66-139	Magnet Housing (Specify Color)
2	66-140	Push Button (Specify Color)
3	63-35	Magnet
4	63-36	Spring
5	41-7-25	Enclosing Tube
6	63-87	Valve Repair Kit
7	63-37	Spacer
8	41-1-8	Kick-off spring
9	63-38	Plunger
10	41-15-5	Diaphragm, EP
11	63-39	Valve Body
12	100-38	Strainer Washer
13	93-44	Pipe To Garden Hose Adaptor
14	66-31	Close Nipple
15	66-153	Pipe Plug & O-Ring Assy.
16	16-30	Action Gap Assembly
17	61-22GAP-2	4 GPM (1/4" Barb) Proportioner (Gray)
18	61-99GAP-2	1 GPM (1/4" Barb) Proportioner (Green)

NO.	PART NO.	DESCRIPTION
19	61-21	1/2" ID X 6' Lg. Vinyl Outlet Tube (4 GPM Only)
20	16-3-6	1/2" I.D. X 6" Lg. Vinyl Outlet Tube (1 GPM Only)
21	63-78	O-Ring, EP
22	63-79	Inlet Barb (1/4" Barb)
23	63-80	Inlet Barb (3/8" Barb)
24	100-15K	Metering Tip Kit (1/4" Barb)
25	61-9K	Metering Tip Kit (3/8" Barb)
26	100-12	1/4" ID X 8' Lg. Vinyl Supply Tubing
27	61-107-2	Ceramic Weight (For 1/4" Tube)
28	61-107	Ceramic Weight (For 3/8" Tube)
29	100-16E-1	Foot Valve

ACCESSORIES

NO.	PART NO.	DESCRIPTION
30	68-6-QD2	Pressure Indicating Tee
31	61-25-2	Fresh Water Outlet Kit