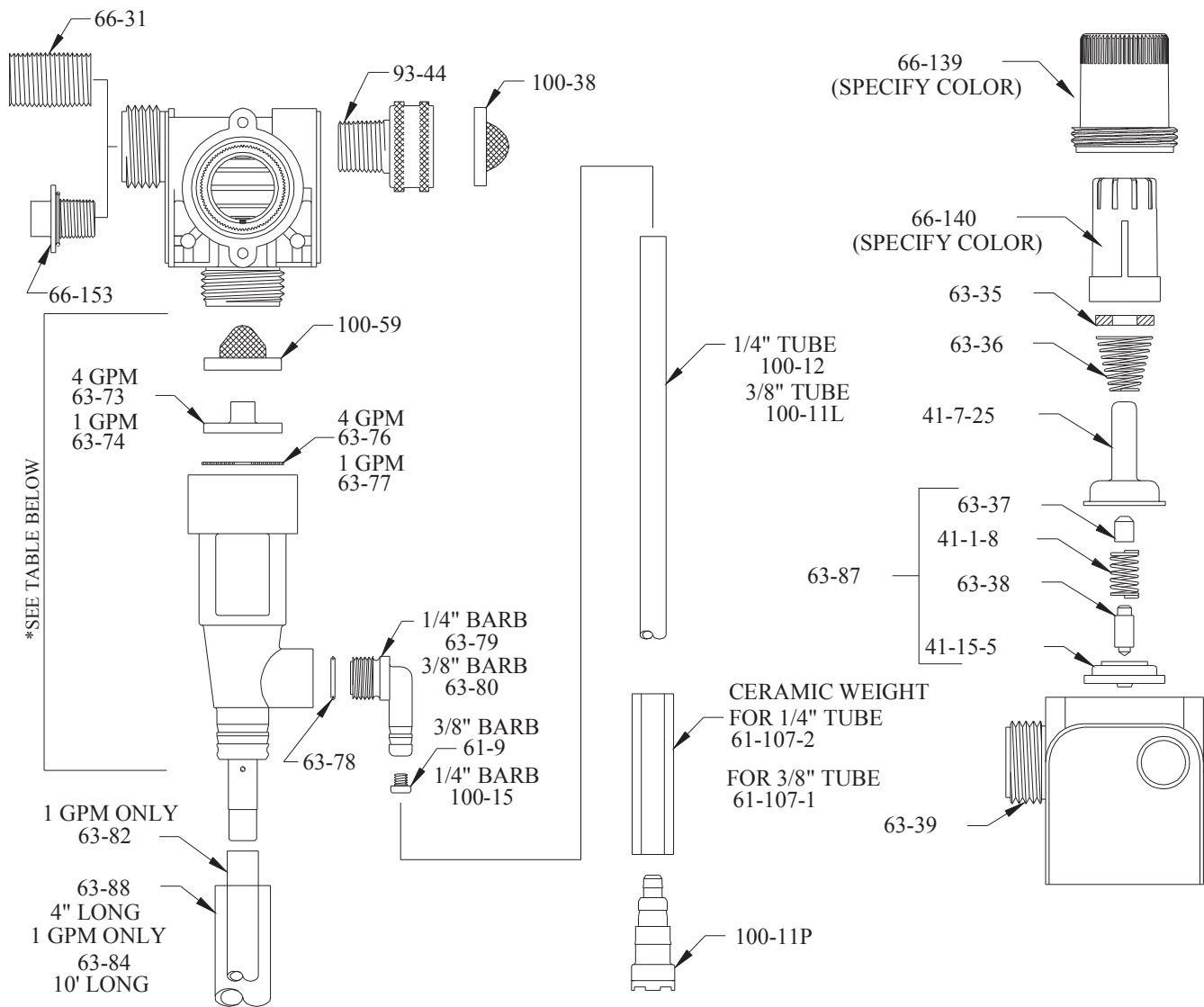


# BLEND CENTER, MODEL 681AG-2P



| PART NO.   | DESCRIPTION                           | PART NO. | DESCRIPTION                              |
|------------|---------------------------------------|----------|------------------------------------------|
| 41-1-8     | KICK-OFF SPRING                       | 63-82    | VINYL TUBE (3/16" ID X 7" LG) 1 GPM ONLY |
| 41-7-25    | ENCLOSING TUBE                        | 63-84    | VINYL TUBE (9/16 ID X 10' LG)            |
| 41-15-5    | DIAPHRAGM                             | 63-87    | VALVE REPAIR KIT                         |
| 61-22AG-4  | *4-GPM (3/8" BARB) PROPORTIONER ASSY. | 63-88    | VINYL TUBE (9/16" ID X 4" LG) 1 GPM ONLY |
| 61-22BAG-4 | *4-GPM (1/4" BARB) PROPORTIONER ASSY. | 66-31    | CLOSE NIPPLE                             |
| 61-32AG-1  | *1-GPM (3/8" BARB) PROPORTIONER ASSY. | 66-139   | MAGNET HOUSING (SPECIFY COLOR)           |
| 61-32BAG-1 | *1-GPM (1/4" BARB) PROPORTIONER ASSY. | 66-140   | PUSH BUTTON (SPECIFY COLOR)              |
| 61-107-1   | CERAMIC WEIGHT (FOR 3/8" TUBE)        | 66-153   | PIPE PLUG & O-RING                       |
| 61-107-2   | CERAMIC WEIGHT (FOR 1/4" TUBE)        | 93-44    | PIPE TO GARDEN HOSE ADAPTOR              |
| 63-35      | MAGNET                                | 100-11L  | VINYL TUBE 3/8" ID X 8' LG.              |
| 63-36      | SPRING                                | 100-11P  | FOOT VALVE                               |
| 63-37      | SPACER                                | 100-12   | VINYL TUBE (1/4 ID X 8' LG.)             |
| 63-38      | PLUNGER                               | 100-38   | INLET WASHER SCREEN                      |
| 63-39      | VALVE BODY                            | 100-59   | STRAINER WASHER                          |
| 63-73      | NOZZLE (4 GPM)                        |          |                                          |
| 63-74      | NOZZLE (1 GPM)                        |          |                                          |
| 63-76      | SCREEN (4 GPM)                        |          |                                          |
| 63-77      | SCREEN (1 GPM)                        |          |                                          |
| 63-78      | O-RING                                |          |                                          |
| 63-79      | INLET BARB (1/4")                     | 61-9K    | METERING TIP KIT (15 SIZES)              |
| 63-80      | INLET BARB (3/8")                     | 61-25-2  | FRESH WATER OUTLET KIT                   |
|            |                                       | 100-15K  | METERING TIP KIT (14 SIZES)              |

### ACCESSORIES