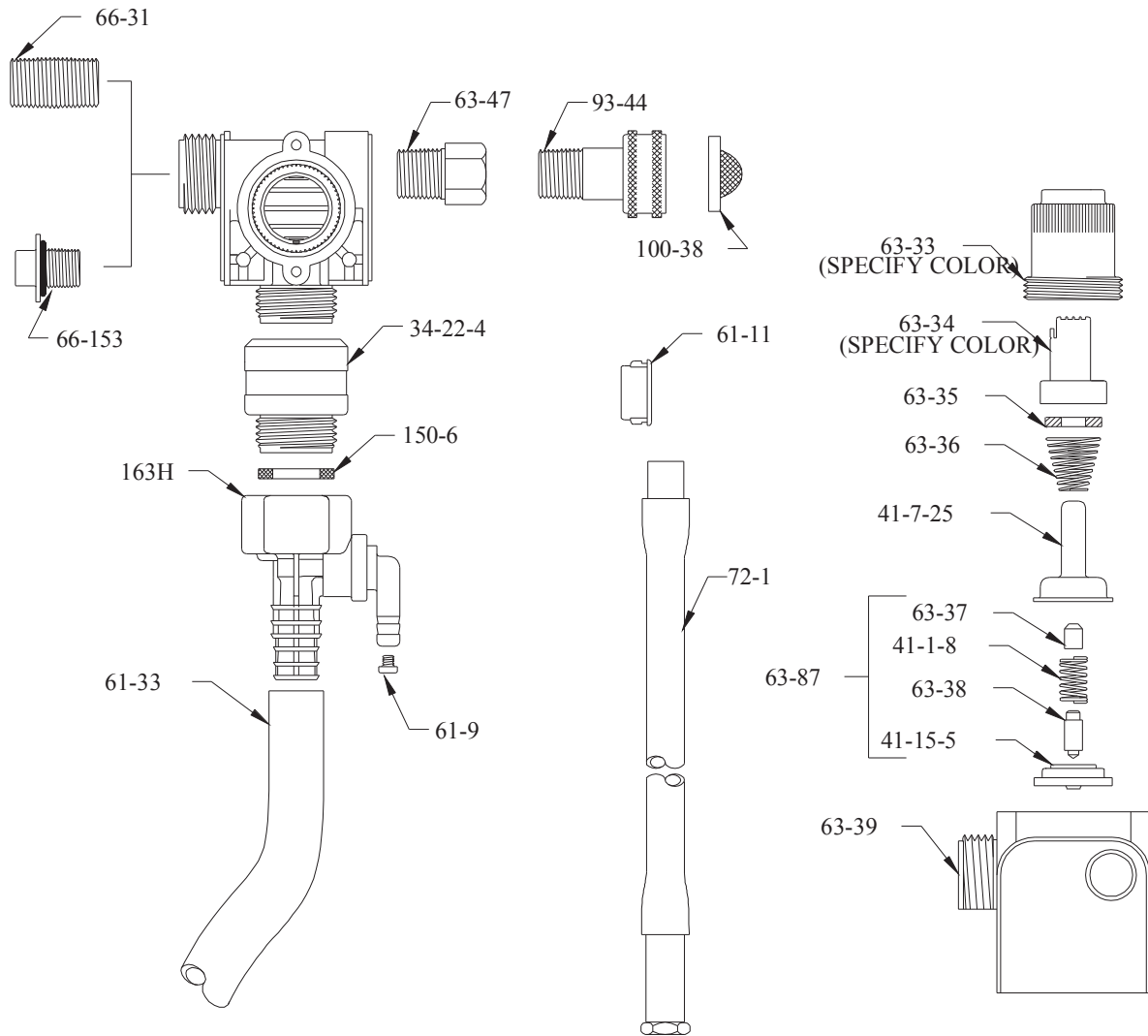


DEMA BLEND CENTER

MODEL: 681-2SP



PART NO.	DESCRIPTION
34-22-4	SIPHON BREAKER
41-1-8	KICK-OFF SPRING
41-7-25	ENCLOSING TUBE
41-15-5	DIAPHRAGM
61-11	SNAP BUSHING
61-33	VINYL TUBE (1/2 ID X 10' LG.)
63-33	MAGNET HOUSING (SPECIFY COLOR)
63-34	PUSH BUTTON (SPECIFY COLOR)
63-35	MAGNET
63-36	SPRING
63-37	SPACER
63-38	PLUNGER
63-39	VALVE BODY
63-47	ADAPTER
63-87	VALVE REPAIR KIT

PART NO.	DESCRIPTION
66-31	CLOSE NIPPLE
66-153	PIPE PLUG & O-RING
72-1	FOOT VALVE & TUBING ASSEMBLY
93-44	PIPE TO GARDEN HOSE ADAPTER
100-38	INLET SCREEN
150-6	GARDEN HOSE RUBBER WASHER
163H	PROPORTIONER

ACCESSORIES

61-9K	METERING TIP KIT
61-22-2	4 GPM PROPORTIONER
61-25-5	FRESH WATER OUTLET KIT
61-32	1 GPM PROPORTIONER
163CB	MEDIUM CAPACITY PROPORTIONER