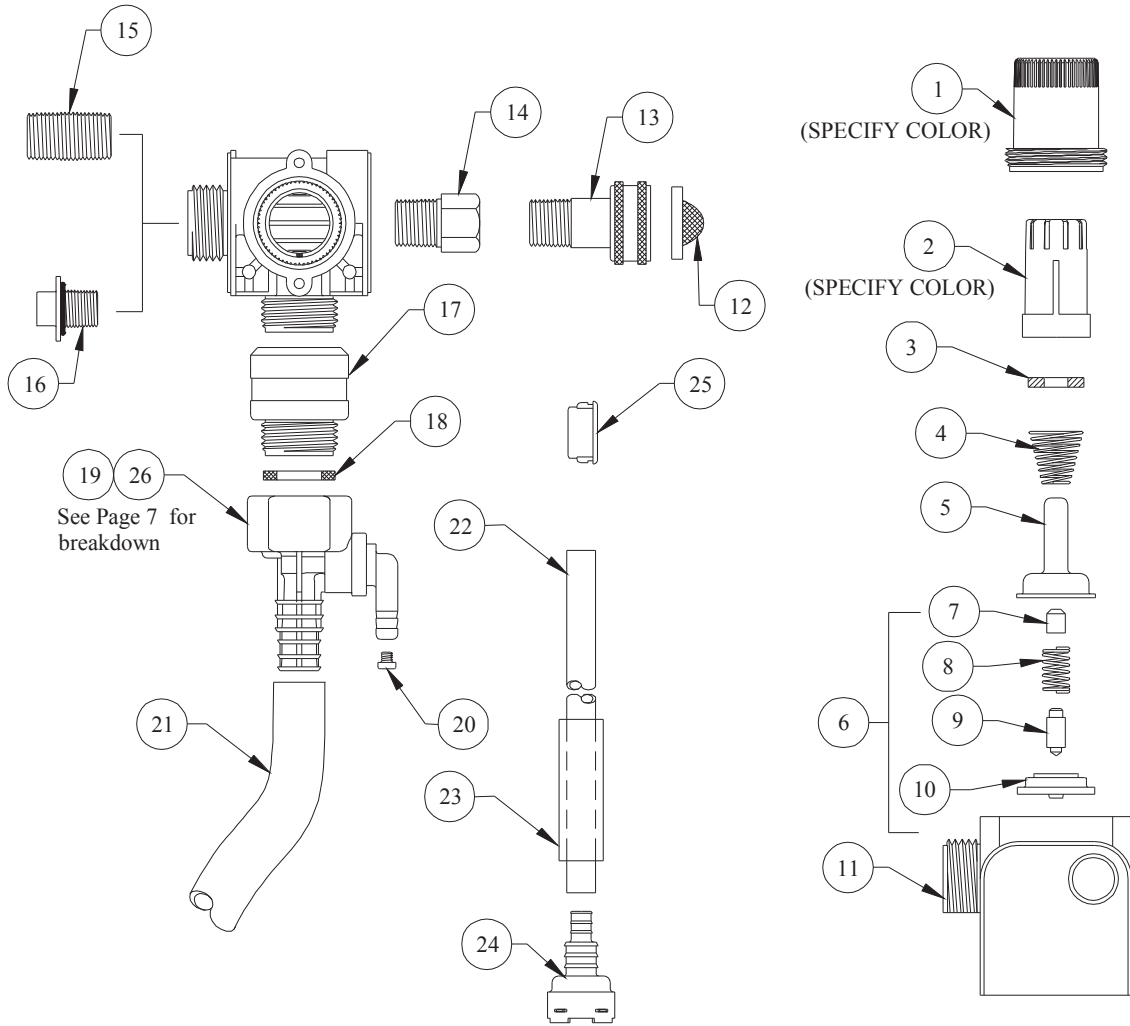


DEMA BLEND CENTER

MODEL: 681-2



| QTY. | PART NO. | DESCRIPTION |
|------|----------|--------------------------------|
| 1 | 66-139 | Magnet Housing (Specify Color) |
| 2 | 66-140 | Push Button (Specify Color) |
| 3 | 63-35 | Magnet |
| 4 | 63-36 | Spring |
| 5 | 41-7-25 | Enclosing Tube |
| 6 | 63-87 | Valve Repair Kit |
| 7 | 63-37 | Spacer |
| 8 | 41-1-8 | Kick-Off Spring |
| 9 | 63-38 | Plunger |
| 10 | 41-15-5 | Diaphragm |
| 11 | 63-39 | Valve Body |
| 12 | 100-38 | Inlet Screen |

| QTY. | PART NO. | DESCRIPTION |
|------|------------|---|
| 13 | 93-44 | Pipe To Garden Hose Adapter |
| 14 | 63-47 | Adapter |
| 15 | 66-31 | Close Nipple |
| 16 | 66-153 | Pipe Plug & O-Ring |
| 17 | 34-22-4 | Siphon Breaker |
| 18 | 150-6 | Garden Hose Rubber Washer |
| 19 | 61-22GAP-3 | 4 GPM Dual Barb Proportioner |
| 20 | 100-15 | Metering Tip (Specify Size (For 1/4" Barb)) |
| 21 | 61-33 | 1/2 ID X 6' Lg. Vinyl Tubing |
| 22 | 100-12 | 1/4" ID X 8' Lg. Vinyl Tubing |
| 23 | 61-107-2 | Ceramic Weight (1/4" ID) |
| 24 | 100-16E-1 | Foot Valve (For 163B, 163T) |
| 24 | 61-11 | Snap Bushing |

ACCESSORIES

| | | |
|----|---------|-----------------------------|
| 25 | 61-25-2 | Fresh Water Outlet Kit |
| 26 | 100-15K | Metering Tip Kit (14 Sizes) |
| 27 | 61-32B | 1 GPM Proportioner |