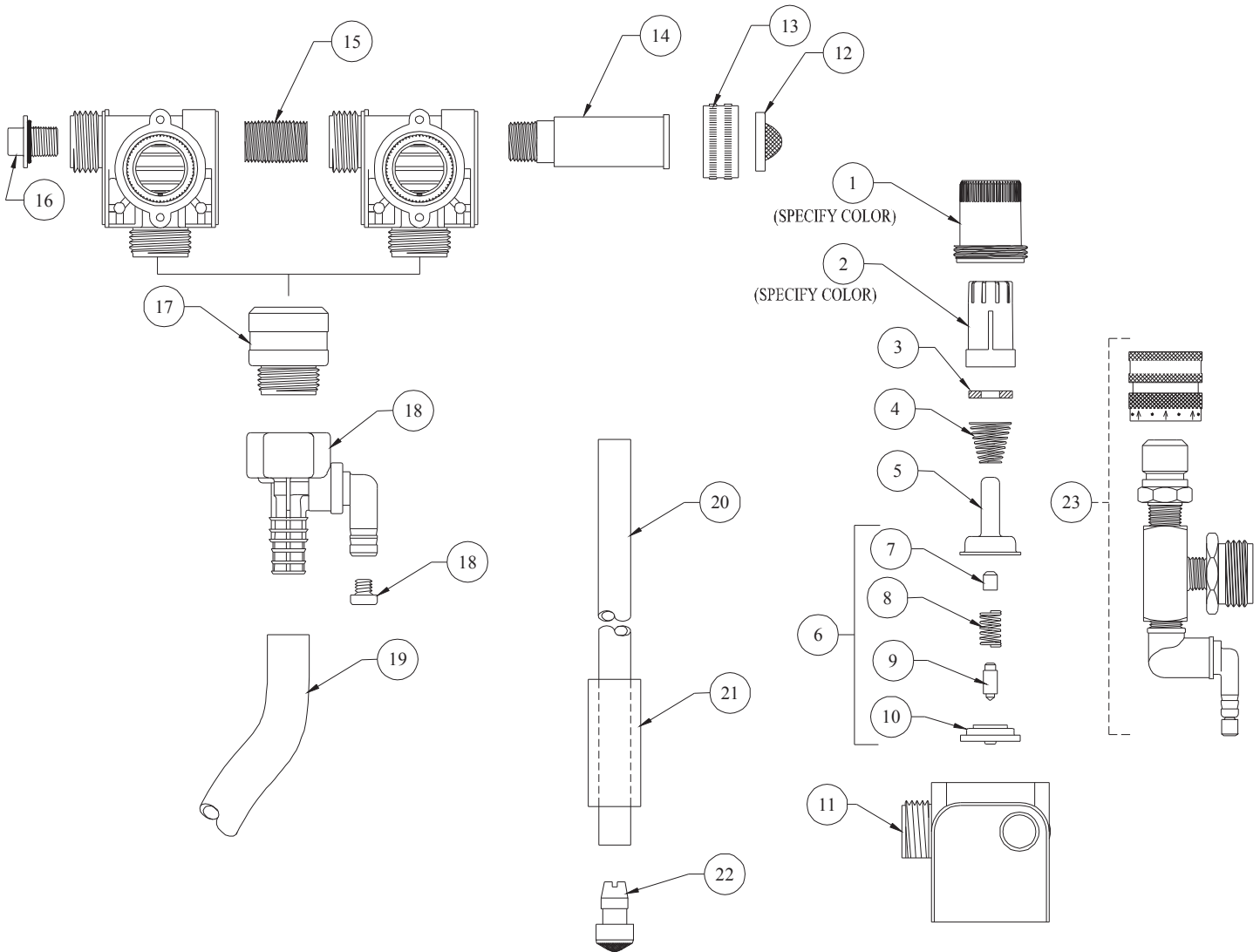


DEMA BLEND CENTER

MODEL: 681-2-163T

INSTALLATION INSTRUCTIONS



QTY.	PART NO.	DESCRIPTION
1	66-139	Magnet Housing (Specify Color)
2	66-140	Push Button (Specify Color)
3	63-35	Magnet
4	63-36	Spring
5	41-7-25	Enclosing Tube
6	63-87	Valve Repair Kit
7	63-37	Spacer
8	41-1-8	Kick-off spring
9	63-38	Plunger
10	41-15-5	Diaphragm
11	63-39	Valve Body

QTY.	PART NO.	DESCRIPTION
12	100-38	Strainer Washer
13	65-10-2	Coupling
14	65-14-2	Hose Fitting Stem 2.56" Lg.
15	66-31	Close Nipple
16	66-153	Pipe Plug & O-Ring Assy.
17	34-22-4	Siphon Breaker
18	61-22GAP-1	4 GPM (3/8" Barb) Proportioner (Gray)
19	61-9K	Metering Tip Kit (15 Sizes) (3/8" Barb)
20	61-21	1/2" ID X 6' Lg. Vinyl Outlet Tube (4 GPM Only)
21	100-12L	3/8" ID X 8' Lg. Vinyl Supply Tubing
22	61-107	Ceramic Weight (3/8" ID Tube)

ACCESSORIES		
23	68-6-QD2	Pressure Indicating Tee