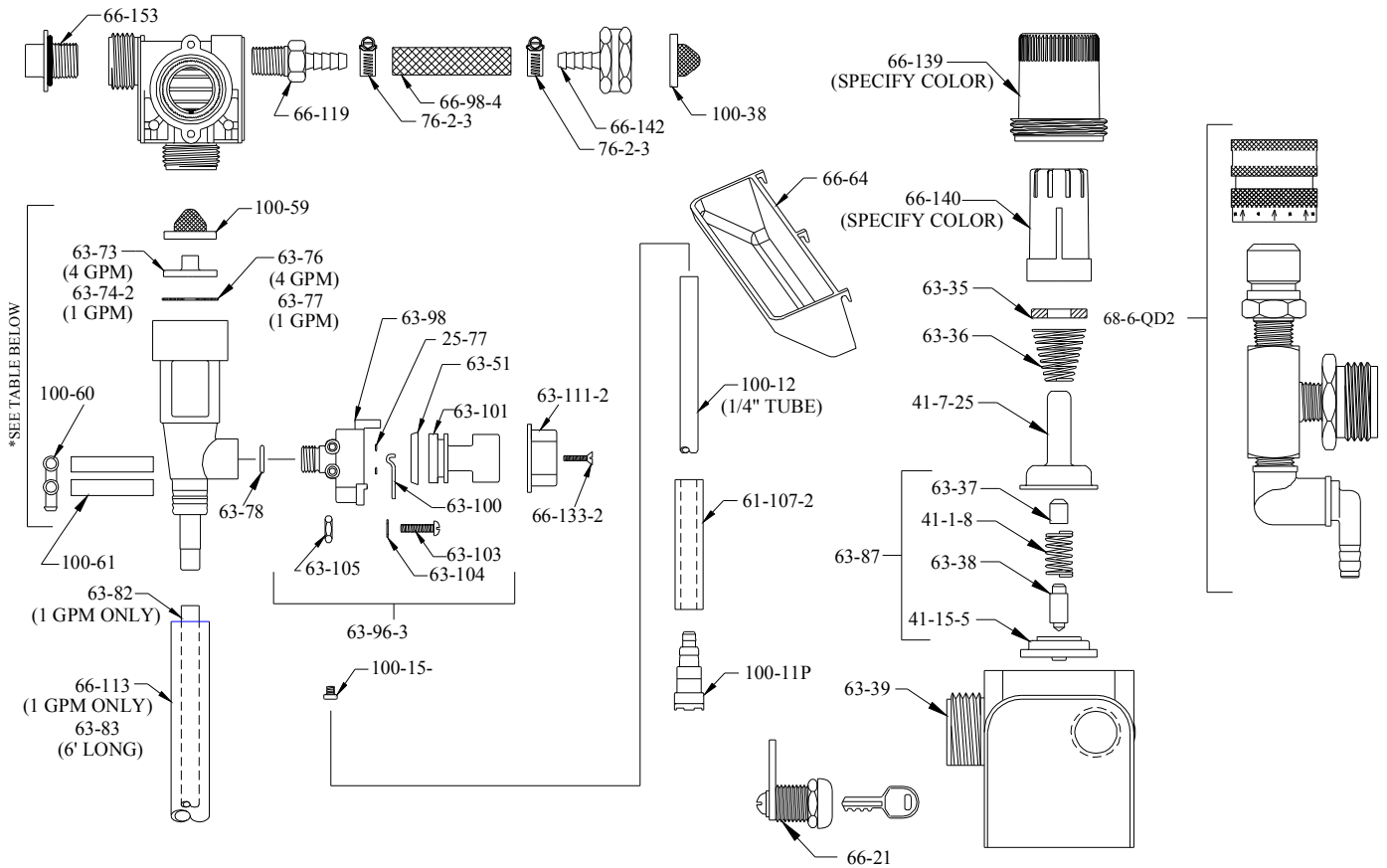


DEMA 662-635AG BLEND SAFE



PART NO.	DESCRIPTION
25-77	O-RING
41-1-8	KICK-OFF SPRING
41-7-25	ENCLOSING TUBE
41-15-5	DIAPHRAGM
61-22BAG-4	*4 GPM PROPORTIONER ASSY
61-126AG-1	*1 GPM PROPORTIONER ASSY
61-107-2	CERAMIC WEIGHT
63-35	MAGNET
63-36	SPRING
63-37	SPACER
63-38	PLUNGER
63-39	VALVE BODY
63-51	"U" CUP
63-73	NOZZLE (4 GPM)
63-74-2	NOZZLE (1 GPM)
63-76	SCREEN (4 GPM)
63-77	SCREEN (1 GPM)
63-78	O-RING
63-82	VINYL TUBE (3/16" ID X 7" LG)
63-82	VINYL TUBE (3/16" ID X 7" LG)
63-87	VALVE REPAIR KIT
63-96-3	SELECTOR VALVE ASSEMBLY
63-98	SELECTOR VALVE BODY
63-100	SPRING
63-101	KNOB
63-103	SCREW

PART NO.	DESCRIPTION
63-104	WASHER
63-105	NUT
63-111-2	SELECTOR KNOB
63-133-2	SCREW
66-21	CASE LOCK
66-64	DRIP TRAY (1 GPM ONLY)
66-98-4	NYLON BRAIDED TUBE (3/8" ID X 3" LG.)
66-113	VINYL TUBE (9/16" ID X 6.5" LG) 1 GPM ONLY
66-119	HOSE BARB (3/8" BARB X 3/8" MPT)
66-139	MAGNET HOUSING (SPECIFY COLOR)
66-140	PUSH BUTTON (SPECIFY COLOR)
66-142	HOSE BARB (3/8" BARB X FEMALE G.H. SWIVEL)
66-153	PIPE PLUG & O-RING ASSY.
76-2-3	HOSE CLAMP
100-11P	FOOT VALVE
100-12	VINYL TUBE (1/4 ID X 8" LG.)
100-15-	METERING TIP (SPECIFY COLOR)
100-38	STRAINER WASHER
100-59	STRAINER WASHER
100-60	TEE
100-61	VINYL TUBING (1/4 I.D. X 4" LG)

ACCESSORIES

61-25-2	FRESH WATER OUTLET KIT
68-6-QD2	PRESSURE INDICATING TEE
100-15K	METERING TIP KIT (14 SIZES)