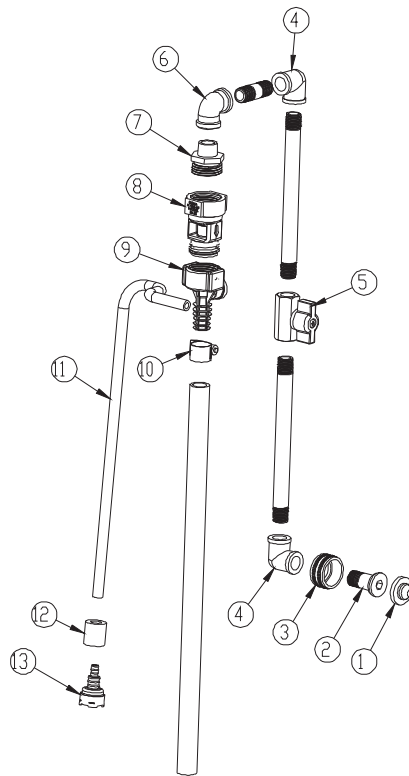


DEMA MODEL 661GAP-1-PIA BLEND SAFE FOR THE CALIFORNIA PRISON SYSTEM



NO.	PART NO.	DESCRIPTION
1	100-38	STRAINER WASHER
2	65-10	COULPING
3	65-17-2	GARDEN HOSE SWIVEL ADAPTER
4	25-136-1	1/4" NPT ELBOW
5	16-11	1/4" NPT BALL VALVE
6	26-19	1/4" X 3/8" FPT ELBOW
7	65-18-1	HOSE ADAPTER
8	16-30	ACTION GAP ASSEMBLY
9	61-22-3	4 GPM PROPORTIONER
10	76-2-1	HOSE CLAMP
11	100-164-14	TUBING AND FOOT VALVE ASSEMBLY
12	61-107-2	WEIGHT
13	100-16E-2	FOOT VALVE

* Foot Valve also available with silicone (100-16S-2) or Viton
(100-16V-2) rubber seals. Please specify material when ordering