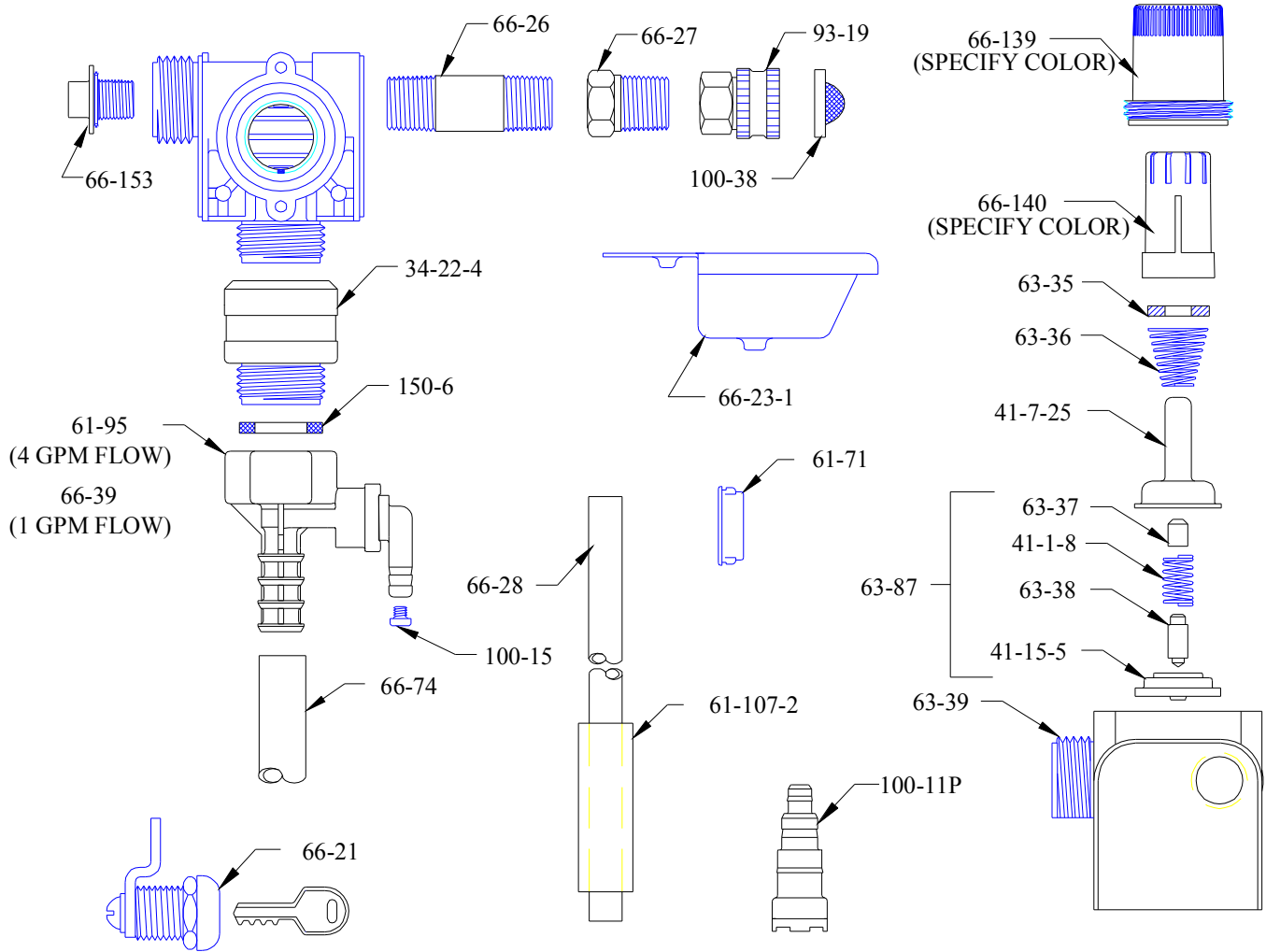


BLEND SAFE, MODEL 661 B



PART NO.	DESCRIPTION
34-22-4	SIPHON BREAKER
41-1-8	KICK-OFF SPRING
41-7-25	ENCLOSING TUBE
41-15-5	DIAPHRAGM
61-71	SNAP BUSHING
61-107-2	CERAMIC WEIGHT
63-35	MAGNET
63-36	SPRING
63-37	SPACER
63-38	PLUNGER
63-39	VALVE BODY
63-87	VALVE REPAIR KIT
66-21	CABINET LOCK
66-23-1	DRIP TRAY
66-26	PIPE, 2" LG.
66-27	BUSHING

PART NO.	DESCRIPTION
66-28	VINYL TUBING
66-39	1 GPM PROPORTIONER
66-74	1/2 I.D TUBE X 6" LG 1 GPM ONLY.
66-139	MAGNET HOUSING (SPECIFY COLOR)
66-140	PUSH BUTTON (SPECIFY COLOR)
66-153	PIPE PLUG & O-RING
93-19	SWIVEL ADAPTOR
100-11P	FOOT VALVE
100-38	INLET SCREEN
150-6	GARDEN HOSE RUBBER WASHER

ACCESSORIES

61-95	4 GPM PROPORTIONER
100-15K	METERING TIP KIT (13 SIZES)
163CB	MED. CAPACITY PROPORTIONER
163CH	HIGH CAPACITY PROPORTIONER