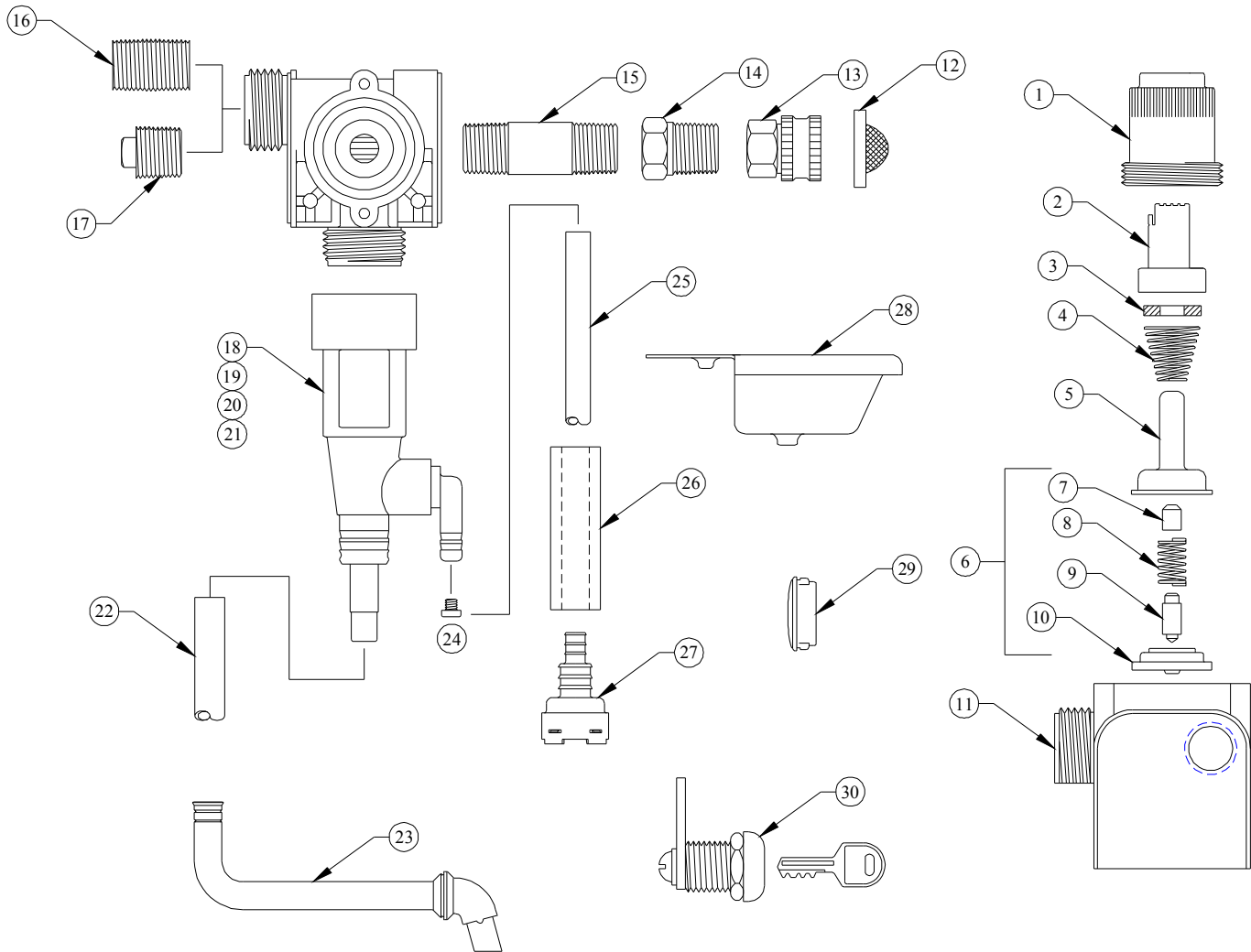


# DEMA BLEND SAFE MODEL 660AG-4DA



NO.	PART NO.	DESCRIPTION
1	63-33	Magnet Housing (Specify Color)
2	63-34	Push Button (Specify Color)
3	63-35	Magnet
4	63-36	Spring
5	41-7-25	Enclosing Tube
6	63-87	Valve Repair Kit
7	63-37	Spacer
8	41-1-8	Kickoff Spring
9	63-38	Plunger
10	41-15-5	Diaphragm
11	63-39	Valve Body
12	100-38	Inlet Screen
13	93-19	Swivel Adaptor
14	66-27	Bushing 1/2" MPT x 3/8" FNPT
15	66-26-2	PVC Nipple 7-1/4"
16	66-31	Close Nipple
17	63-31	Pipe Plug
18	61-32BAG-1	1 GPM Proportioner-1/4" Barb
19	61-22BAG-4	4 GPM Proportioner-1/4" Barb

NO.	PART NO.	DESCRIPTION
22	66-38	3/16"ID Tube x 15.5Lg (1GPM )
23	66-37	Outlet Adapter (1GPM only)
25	66-28	Vinyl Pickup Tube 21"
26	61-107-2	Ceramic Weight for 1/4" ID x 3/8" OD Tubing
27	100-16E	Foot Valve
28	66-23-2	Drip Tray
29	66.32	Plug
30	66.21	Cabinet Lock

ACCESSORIES		
NO.	PART NO.	DESCRIPTION
20	61-32AG-1	1 GPM Proportioner-3/8" Barb
21	61-22AG-4	4 GPM Proportioner-3/8" Barb
24	100-15K	Metering Tip Kit for 1/4" Barb
	61-9K	Metering Tip Kit for 3/8" Barb