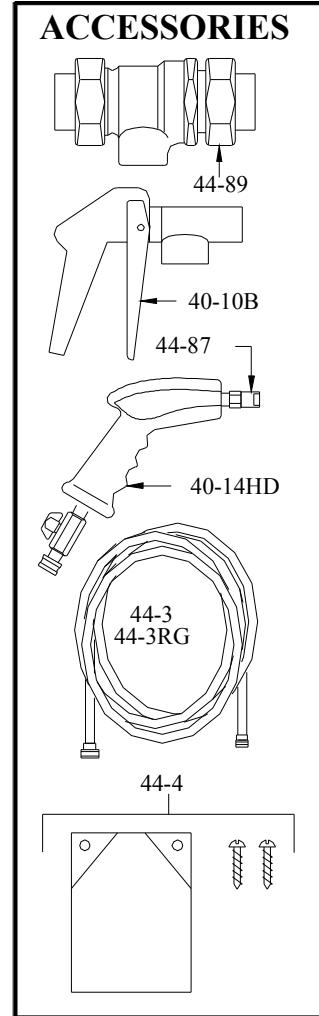
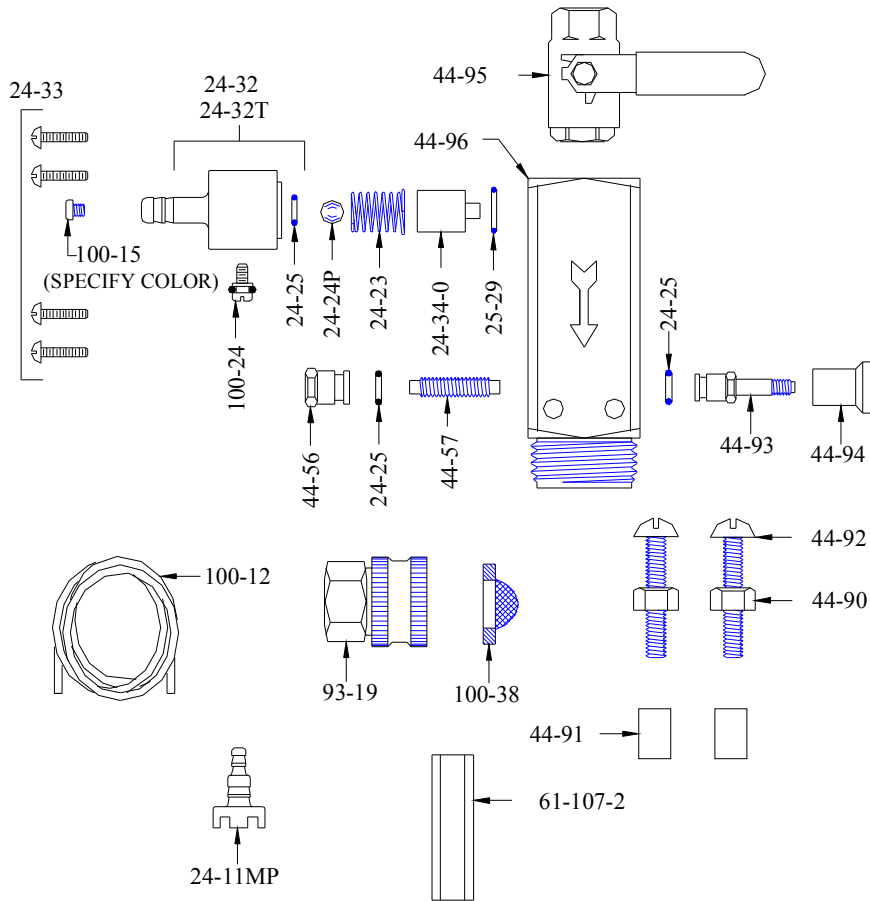


MODEL 644B & 644BT



PART NO.	DESCRIPTION
24-11MP	FOOT STRAINER
24-23	CHECK VALVE SPRING
24-24P	CHECK VALVE BALL
24-25	O-RING
24-32	METERING KNOB W/ O-RING (MODEL 644B)
24-32T	METERING KNOB W/ O-RING (MODEL 644BT)
24-33	METERING KNOB SCREWS (4)
24-34-0	METERING KNOB CORE
25-29	O-RING
44-56	BYPASS VALVE TOP
44-57	CONNECTING STUD
44-90	MOUNTING NUTS, #10-24 (2)
44-91	SPACER (2)
44-92	MOUNTING SCREWS, #10-24 (2)
44-93	BYPASS VALVE BOTTOM
44-94	BYPASS VALVE KNOB
44-95	BALL VALVE
44-96	INJECTOR BODY
61-107-2	CERAMIC WEIGHT
93-19	SWIVEL ADAPTER (GHT-1/2 NPT)
100-12	VINYL TUBING
100-15	METERING TIP (SPECIFY COLOR)
100-24	METERING SCREW W/ O-RING (MODEL 644B)
100-38	STRAINER WASHER

ACCESSORIES

PART NO.	DESCRIPTION
40-14HD	HEAVY DUTY SPRAY GUN
40-10B	VARIABLE POSITION GUN
44-3	BLACK HOSE 1/2 ID X 25' LG
44-3RG	RED HOSE 1/2 ID X 25' LG W/ SPRING GUARDS EA. END
44-4	HOSE BRACKET
44-87	4 GPM SPRAY NOZZLE
44-89	CONSTANT PRESSURE BACK-FLOW PREVENTER, 1/2 NPT