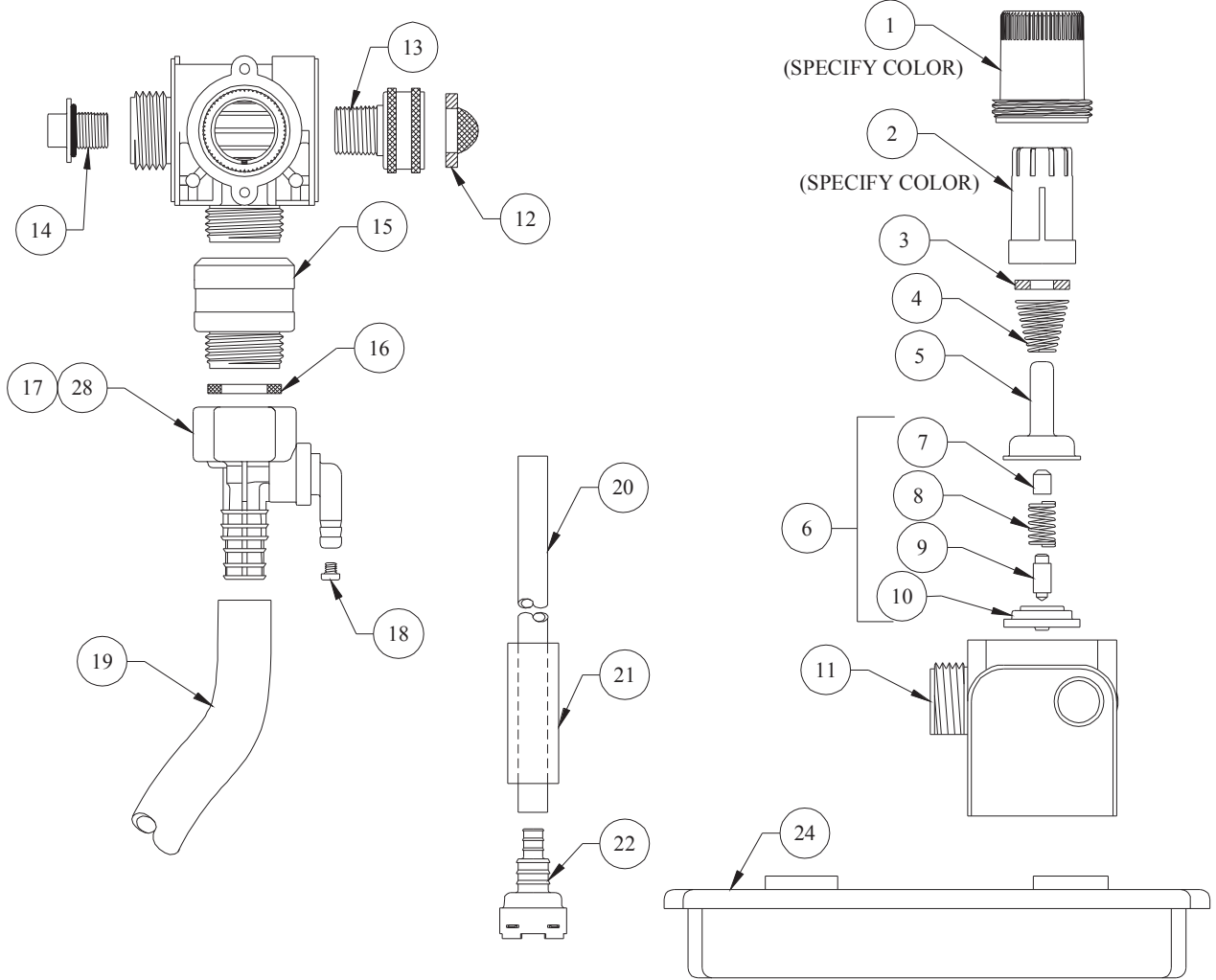


DEMA CLEANING CENTER

MODEL: 636



NO.	PART NO.	DESCRIPTION
1.	66-139	Magnet Housing (Specify Color)
2.	66-140	Push Button (Specify Color)
3.	63-35	Magnet
4.	63-36	Spring
5.	41-7-25	Enclosing Tube
6.	63-87	Valve Repair Kit
7.	63-37	Spacer
8.	41-1-8	Kick-Off Spring
9.	63-38	Plunger
10.	41-15-5	Diaphragm
11.	63-39	Valve Body
12.	100-38	Inlet Screen
13.	63-32	Pipe To Garden Hose Adaptor
14.	66-153	Pipe Plug and O-Ring Assy.
15.	34-22-4	Siphon Breaker
16.	150-6	Garden Hose Rubber Washer

NO.	PART NO.	DESCRIPTION
17.	61-32B	1 GPM Proportioner
18.	100-15K	Metering Tip Kit (13 Sizes)
19.	61-21-2	Vinyl Tube (1/2 ID X 12" Lg.)
20.	100-12	Vinyl Tube (1/4 ID X 8' Lg.)
21.	61-107-2	Ceramic Weight
22.	100-16E-1	Foot Valve
23.	61-109	Mounting Base (Not shown)
24.	61-110	Drip Tray
25.	63-46	Valve & Cover Screw (Not Shown)

ACCESSORIES

26.	61-25-2	Fresh Water Outlet Kit
27.	61-22GAP-2	4 GPM Proportioner
28.	163CB	Medium Capacity Proportioner
29.	163CH	High Capacity Proportioner
30.	61-21	Vinyl Tube (1/2 ID X 6' Lg.)