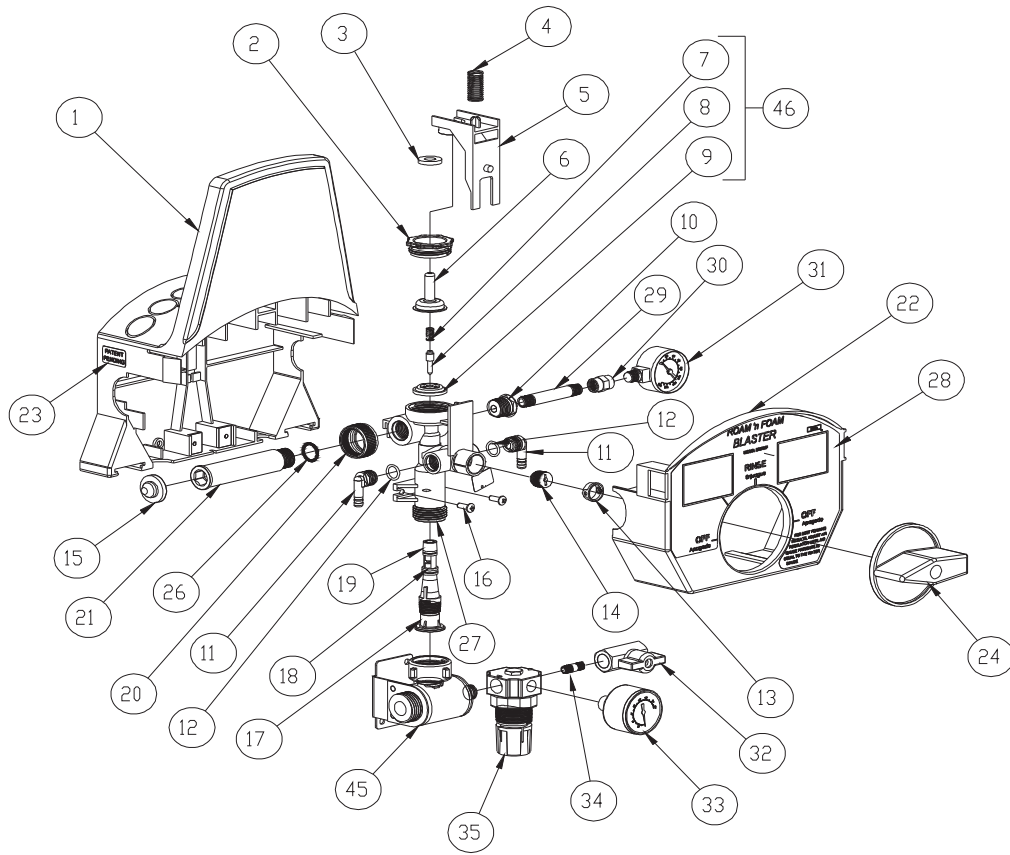


# ROAM 'n FOAM "BLASTER" MODELS 626RNF, 626RNF-1, 626RNFE, 626RNFE-1, 626RNFBAE-2, 626RNFBAE-3



ITEM NO.	QTY.	DEMA NO.	DESCRIPTION	MATERIAL
1	1	63-162-1	Base	POLYPROPYLENE
2	1	98-7-1	Nut, Enclosing Tube Retaining	POLYPROPYLENE
3	1	63-35	Magnet	NEODYMIUM
4	1	35-39	Spring	STNLS. STL
5	1	35-47	Magnet Holder	POLYPROPYLENE
6	1	41-7-25	Enclosing Tube	STNLS. STL
7	1	98-41-1	Kickoff Spring	STNLS. STL
8	1	98-24-1	Plunger	STNLS. STL
9	1	41-15-10	1 1/16" Diaphragm	EDPM
10	1	44-127-8	3/8" NPT x 1/8" NPT Bushing	BRASS
11	*	63-79	Inlet Barb	POLYPROPYLENE
12	*	63-78	O-Ring	EPDM
13	1	57-10-105-4	2 Port Seal	EPDM
		57-10-105-5	2 Port Seal	VITON
14	1	88-5-2	Check Valve Assembly	PVC
15	1	100-38	Strainer Washer	BUNA\STNLS.STL.
16	2	44-116-5	#8 HiLo Screw	STNLS. STL
17	1	20-1-10RF	Injector 2.1 GPM	POLYPROPYLENE
		20-1-11RF	Injector 2.7 GPM	
		20-1-12RF	Injector 3.3 GPM	
18	1	25-29	O-Ring	EPDM
19	1	26-18	O-Ring	EPDM
20	1	65-10	Coupling	BRASS
21	1	44-108-1	Hose Fitting	BRASS
22	1	63-163-1	Front Cover	POLYPROPYLENE
23	1	L915	Label	MYLAR
24	1	63-164-1	Selector Knob	POLYPROPYLENE
26	1	619-15	O-Ring	EPDM
27	1	35-48-1	Valve Body	POLYPROPYLENE
28	1	**	Label	MYLAR
29	1	35-23-1	1/8" NPT Pipe Nipple	BRASS
30	1	58-98-2	1/8" NPT Pipe Coupling	
31	1	93-15-1	Pressure Gage	
32	1	16-11	1/4" NPT Ball Valve	BRASS
33	1	93-2	Pressure Gage	
34	1	25-137-1	1/4" NPT Pipe Nipple	BRASS
35	1	93-1	Pressure Regulator	
45	1	***	Foam Generator Assembly	
46	1	98-25-1	Repair Kit	VARIOUS

\* For 626RNF-1, 626RNFE-1, 626RNFBAE-3 and 2 ea. for 626RNF, 626RNFE, and 626RNFBAE.2

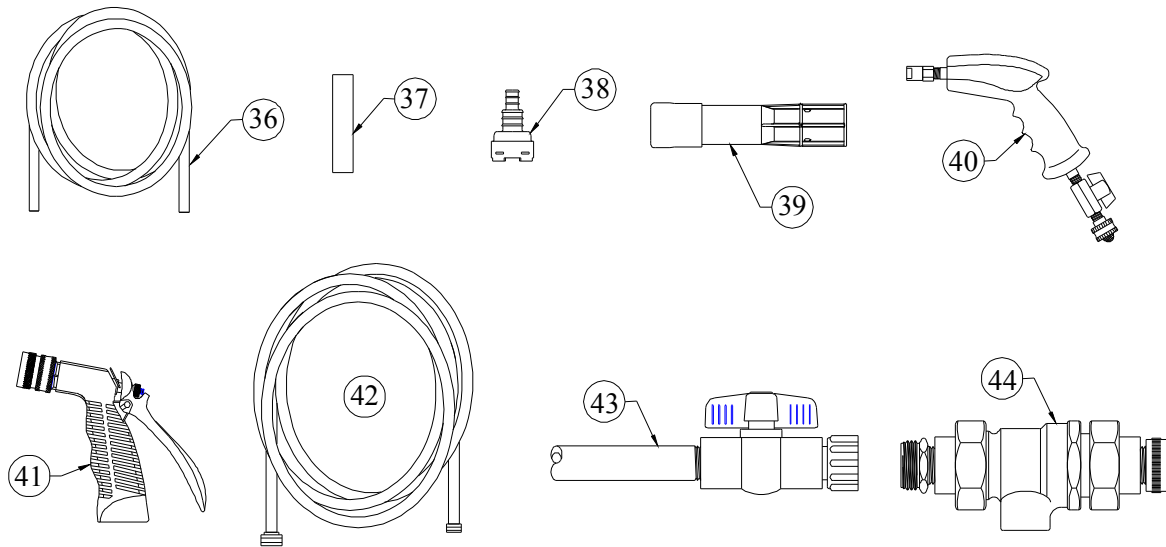
\*\* L980-1 for 626RNF, -2, -3, -4, -5 and 626RNFE

L980-2 for 626RNF-1 and 626RNFE-1

\*\*\* 93-26-5 for 625RNF, 625RNF-1, -2, -3, -4, -5

93-26-5E for 625RNF, 625RNFE-1, 625RNFBAE-2, -3

**ROAM 'n FOAM "BLASTER" MODELS  
626RNF, 626RNF-1, 626RNFE, 626RNFE-1, 626RNFBAE-2, 626RNFBAE-3**



ITEM NO.	DEMA NO.	DESCRIPTION	MATERIAL
36	100-12	Vinyl Tubing 1/4"i.d. x 8'lg	Vinyl
37	61-107-2	Ceramic Weight 1/4"i.d.	Ceramic
38	100-16E	Foot Valve Assembly	Polypropylene & E.P.

**OPTIONAL ACCESSORIES**

ITEM NO.	DEMA NO.	DESCRIPTION	MATERIAL
39	292QD	Wand (for 1/4 turn valve gun #40)	Polypropylene
	292GQD	Wand (for trigger handle gun #41)	Polypropylene
40	40-14QD	Spray gun (Blue Handle) (1/4 turn valve gun)	Stainless Steel With Insulated Rubber Handle
41	28-1QD	Spray gun w/ Quick Disconnect (trigger handle gun)	Metal and Plastic With Insulated Rubber Handle
42	93-14	3/4" I.D. x 25' lg. outlet hose	Black Rubber
43	93-18-3	Plastic Foam Wand	PVC
44	44-89-112	Backflow Assy. w/ Garden Hose Fittings	Brass