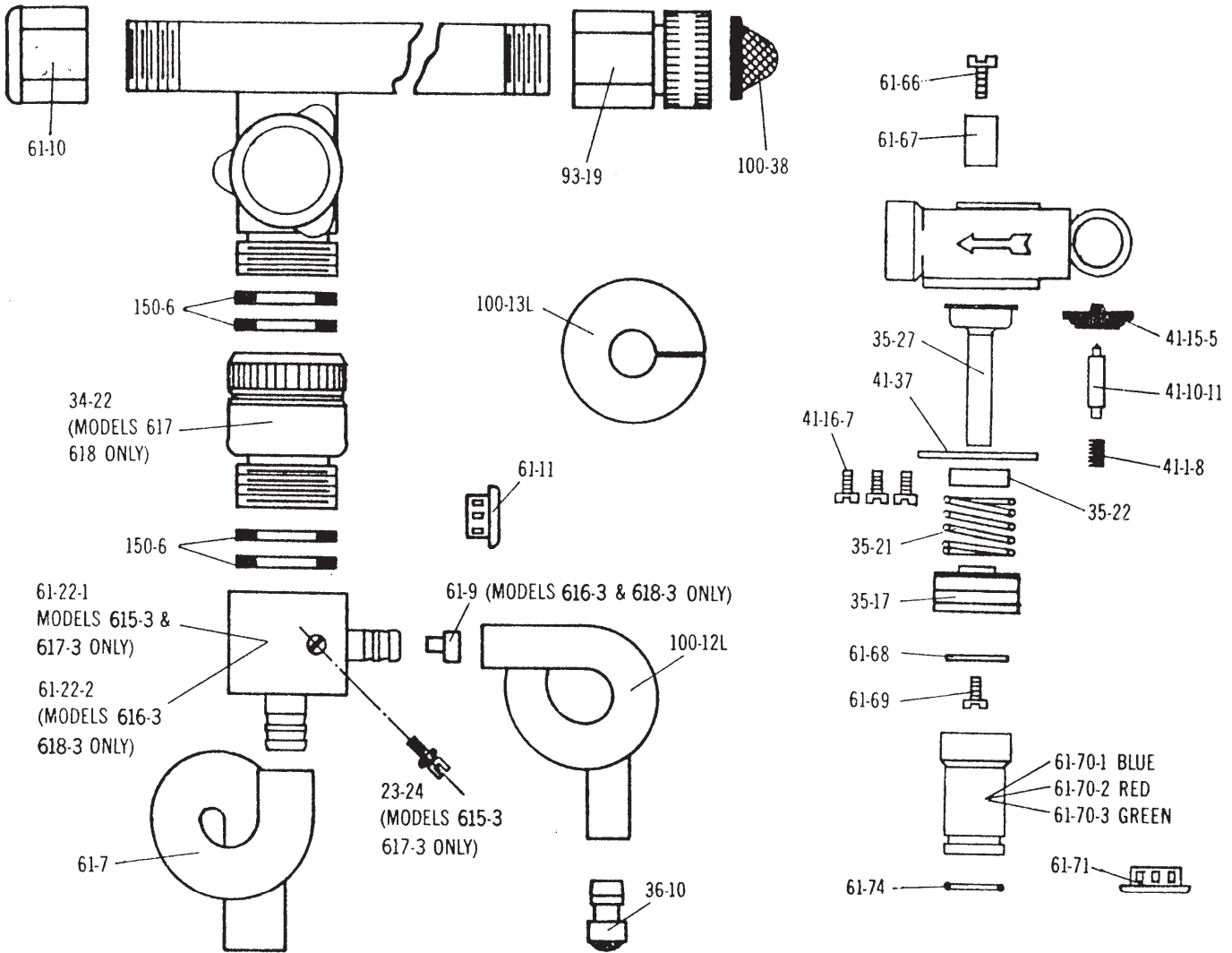


BLEND CENTER, MODELS 615-3, 616-3, 617-3 and 618-3



PART NUMBER	DESCRIPTION
23-24	Metering Screw
34-22	Backflow Preventer
35-17	Magnet Assembly
35-21	Magnet Spring
35-22	Impact Spacer
35-27	Enclosing Tube Assembly
36-10	Foot Valve
41-18	Kick-Off Spring
41-10-11	Plunger
41-15-5	Diaphragm
41-16-7	Hex Head Screw
41-37	Flange
61-7	Vinyl Tubing (1/2" I.D. x 20' Lg.)
61-9	Metering Tip Specify Color
61-10	Pipe Cap
61-11	Snap Bushing - Inlet Tubing
61-22-1	Proportioner - Specify Model
61-22-2	Proportioner - Specify Model
61-66	Machine Screw, #10-24, 1" Lg.

PART NUMBER	DESCRIPTION
61-67	Standoff Spacer
61-68	Washer
61-69	Machine Screw, 8-32, 1/4" Lg.
61-70-1	Blue Button
61-70-2	Red Button
61-70-3	Green Button
61-71	Snap Bushing - Push Button
61-74	O-Ring
93-19	Pipe To Garden Hose Adapter
100-12L	Vinyl Tubing (3/8" I.D. x 8' Lg.)
100-13L	Drum Protector Cover
100-38	Inlet Screen
150-6	Garden Hose Rubber Washer
ACCESSORIES	
61-9K	Metering Tip Kit (13 Sizes)
61-25	Fresh Water Outlet Kit
61-32	1 GPM Proportioner
61-72	Locking Push Button
163H	High Capacity Proportioner