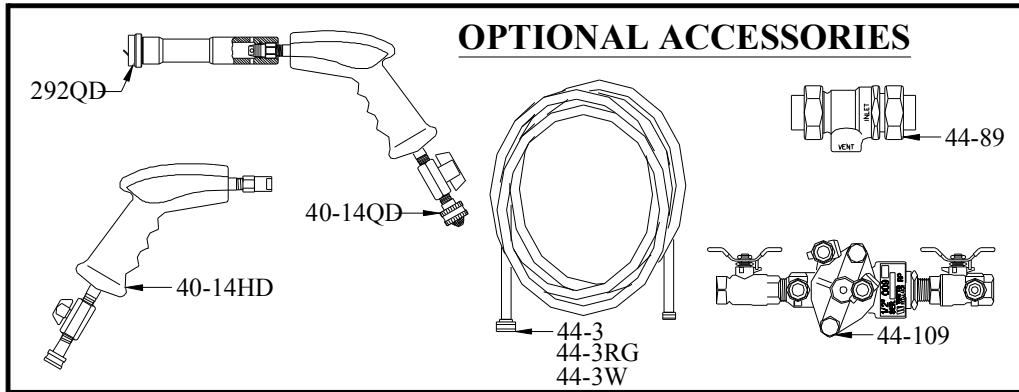
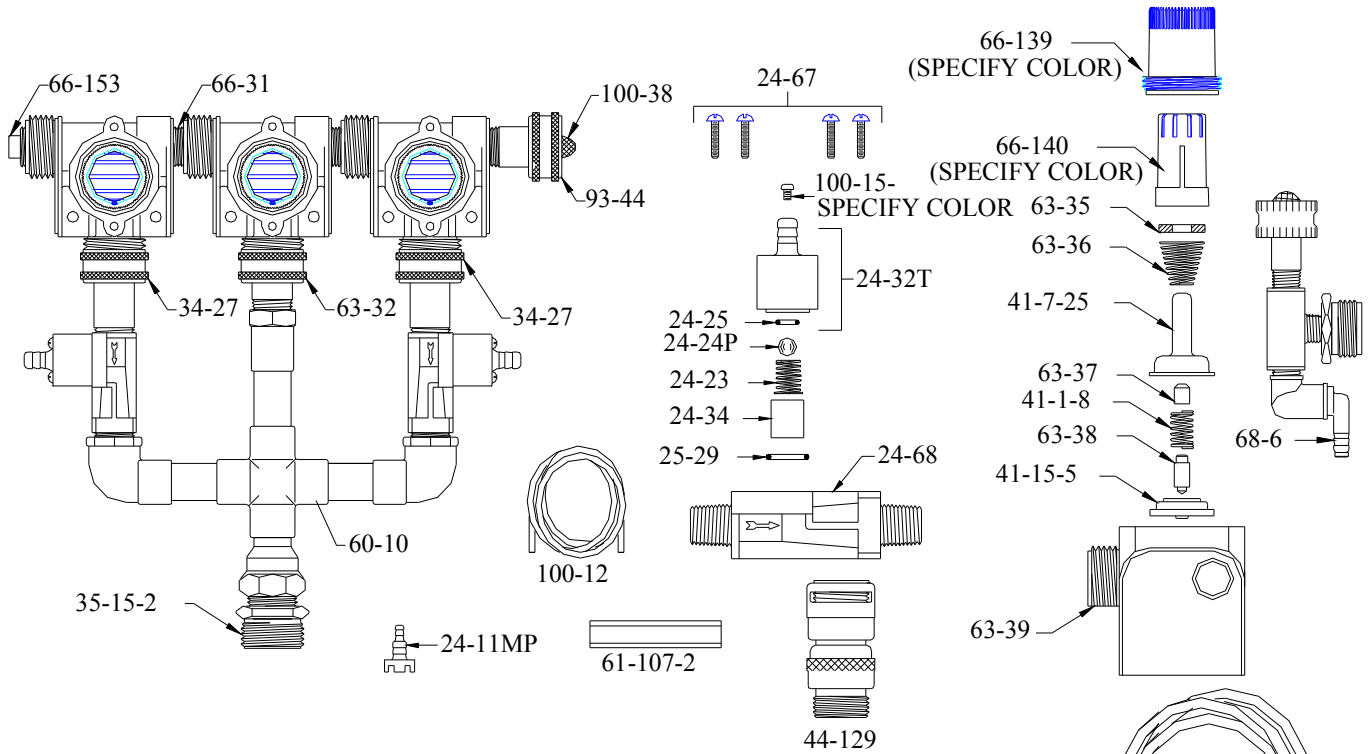


# DEMA MODEL 604T-WI SELECT-O-MATIC



PART NO.	DESCRIPTION
24-11MP	FOOT STRAINER
24-23	CHECK VALVE SPRING
24-24P	CHECK VALVE BALL
24-25	CHECK VALVE O-RING
24-32T	METERING KNOB
24-34	CHECK VALVE CORE
24-67	SCREW (1" LG 4-REQD.)
24-68	VALVE BODY
34-27	PIPE TO GARDEN HOSE ADAPTER
35-15-2	HOSE ADAPTER
41-1-8	KICK-OFF SPRING
41-7-25	ENCLOSING TUBE
41-15-5	DIAPHRAGM
44-3N-6	NYLON BRAIDED INLET HOSE
44-129	BACKFLOW PREVENTER
60-10	MANIFOLD
61-107-2	CERAMIC WEIGHT
63-32	PIPE TO GARDEN HOSE ADAPTER
63-35	MAGNET
63-36	SPRING
63-37	SPACER
63-38	PLUNGER

PART NO.	DESCRIPTION
66-31	CLOSE NIPPLE
66-139	MAGNET HOUSING (SPECIFY COLOR)
66-140	PUSH BUTTON (SPECIFY COLOR)
66-153	PIPE PLUG
68-6	PRESSURE INDICATING TEE
93-44	PIPE TO GARDEN HOSE ADAPTER
100-12	VINYL TUBING 1/4ID X 8'LG
100-15-	METERING TIP SPECIFY COLOR
100-24	METERING SCREW
100-38	STRAINER WASHER

OPTIONAL ACCESSORIES	
44-3	HOSE (BLACK) 25' X 1/2 ID
44-3RG	HOSE (RED) SPRING GARD 25' X 1/2 ID
44-3W	HOSE (WHITE) 25' X 1/2 ID
40-14HD	HEAVY DUTY SPRAY GUN
40-14QD	HEAVY DUTY SPRAY GUN W/ DISCONNECT
44-89	BACKFLOW PREVENTER (A.S.S.E. 1012)
44-109	BACKFLOW PREVENTER (A.S.S.E. 1013)
292B	FOAM WAND
292QD	FOAM WAND W/ DISCONNECT