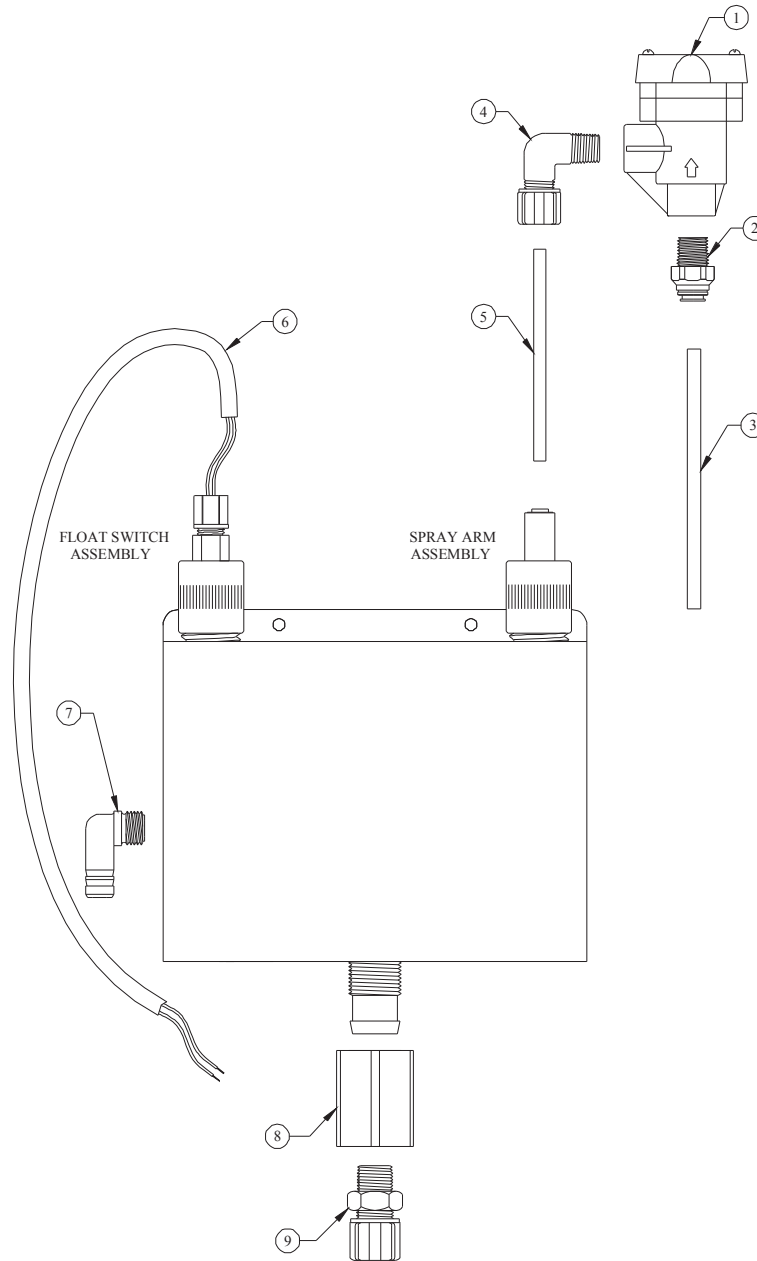


# DEMA® MODEL 581-SP

## SOLID BOWL FEEDER

(MOUNTED ON A BOARD)

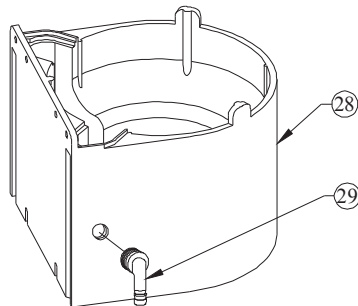
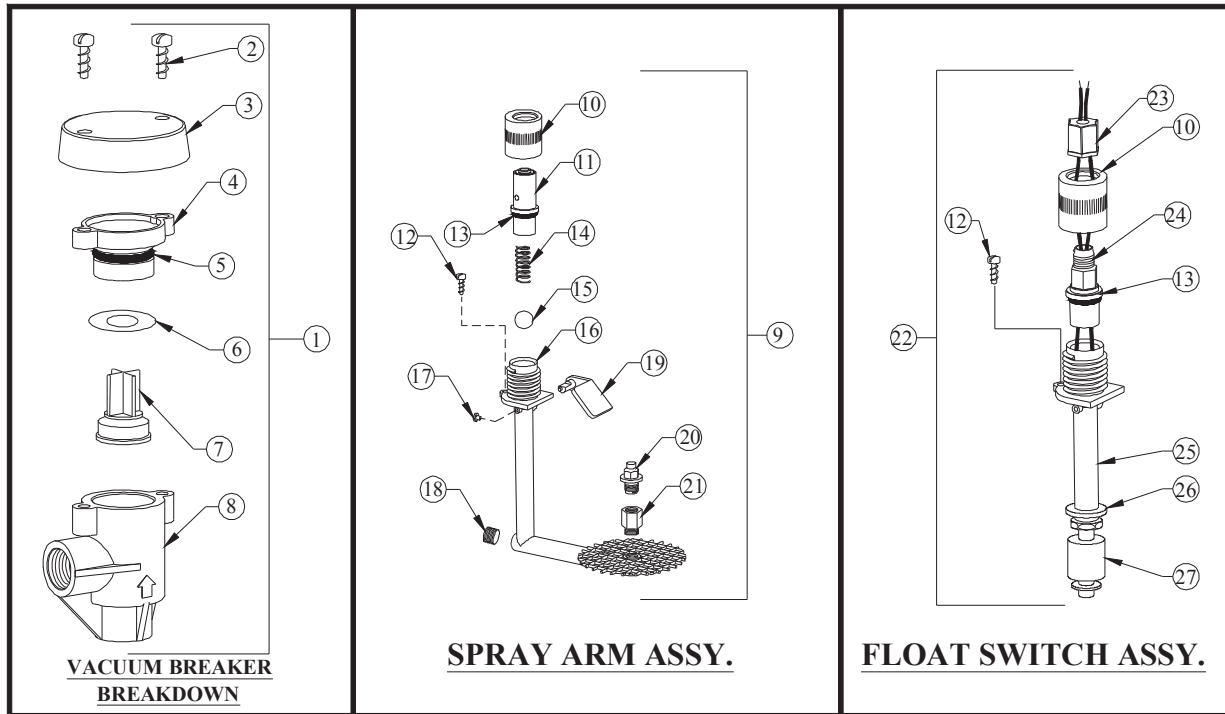


| NO. | PART NO. | DESCRIPTION                              |
|-----|----------|--|
| 1   | 58-1     | Vacuum Breaker                           |
| 2   | 58-103-2 | J.G. Fitting 1/4 X 1/4 (Plastic)         |
| 3   | 58-6-6   | Stainless Steel Tube (1/4" OD X 6" Lg.)  |
| 4   | 58-29    | Compression Elbow                        |
| 5   | 58-6     | Stainless Steel Tube (1/4" OD X 8" Lg.)  |
| 6   | 58-97-16 | Plastic Tubing (1/4" OD X 16" Lg.)       |
| 7   | 63-80    | Inlet Barb (For Overflow Draining)       |
| 8   | 58-98-1  | Plastic Coupling                         |
| 9   | 59-97-9  | Compression Fitting (3/8" OD X 1/2" MPT) |

# DEMA® MODEL 581-SP

## SOLID BOWL FEEDER

(MOUNTED ON A BOARD)



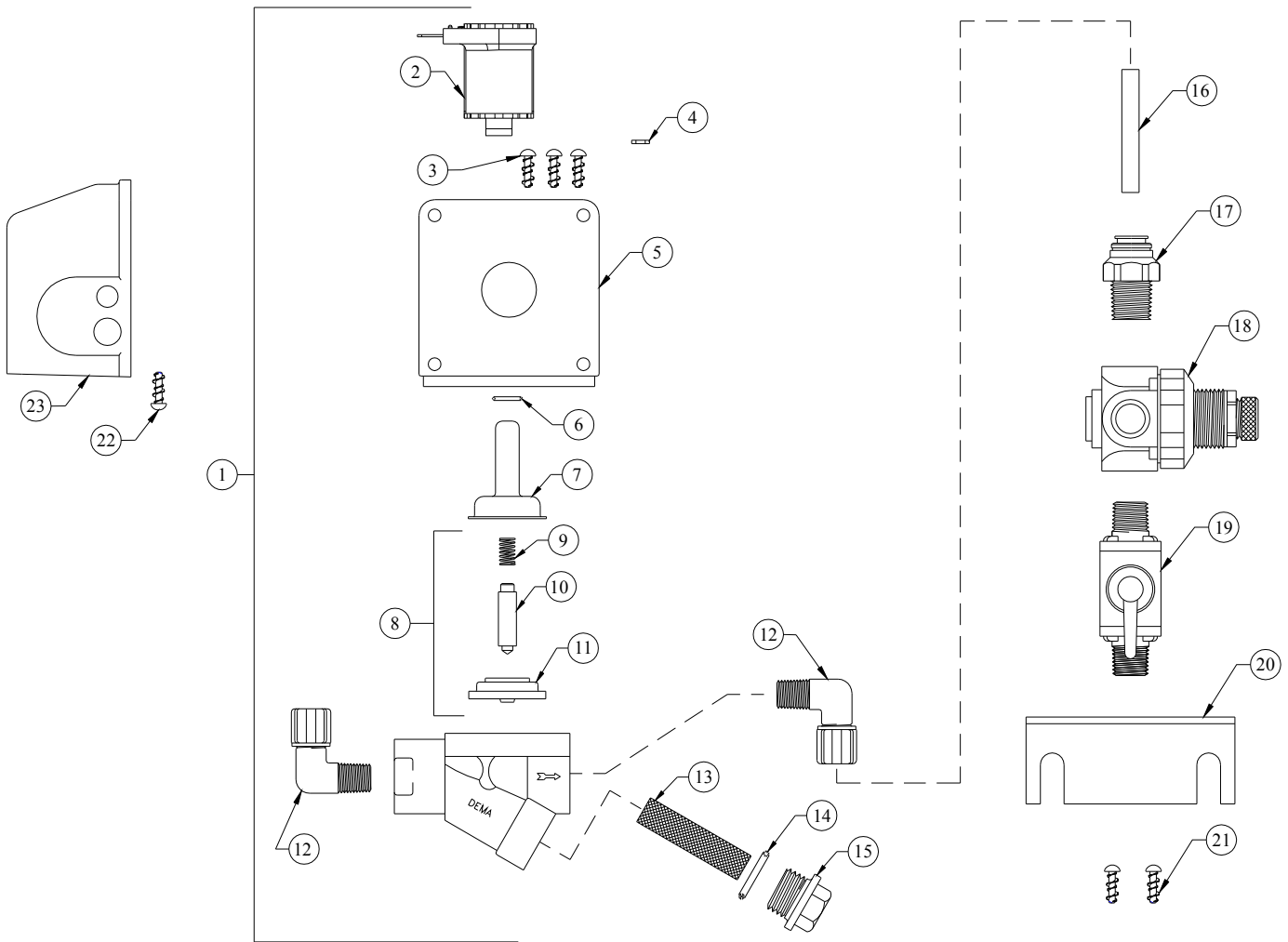
| NO. | PART NO. | DESCRIPTION                  |
|-----|----------|------------------------------|
| 1   | 58-1     | Vacuum Breaker (Plastic)     |
| 2   | 24-67    | #8 HiLo Screw                |
| 3   | 58-23    | Splash Guard                 |
| 4   | 58-87    | Vacuum Seat                  |
| 5   | 58-51    | O-Ring                       |
| 6   | 58-86    | Rubber Washer                |
| 7   | 58-21    | Vacuum Breaker Poppet        |
| 8   | 58-20    | Vacuum Breaker Body          |
| 9   | 85-13B   | Spray Arm Assembly           |
| 10  | 58-8     | Compression Nut              |
| 11  | 58-112-1 | Top Fitting W/O-Ring (Brass) |
| 12  | 44-116-2 | #8 Screw                     |
| 13  | 58-9     | O-Ring only (EP)             |
| 14  | 58-28    | Spring                       |

| NO. | PART NO.  | DESCRIPTION                          |
|-----|-----------|--------------------------------------|
| 15  | 58-113-1  | Ball (Teflon)                        |
| 16  | 58-18     | Spray Arm                            |
| 17  | 58-14     | Arm Plug                             |
| 18  | 58-109-1  | Hex Socket Plug                      |
| 19  | 58-27     | Safety Paddle                        |
| 20  | 58-16-2   | Spray Nozzle 1/8" NPT                |
| 21  | 58-82     | Adapter                              |
| 22  | 85-14     | Float Switch Assy. (Plastic)         |
| 23  | 80-67-3   | Compression Nut (For 1/4" O.D. Tube) |
| 24  | 58-26     | Top Fitting w/O-Ring (Plastic)       |
| 25  | 58-63     | Level Switch Mounting                |
| 26  | 58-70     | Spacer                               |
| 27  | 58-64     | Level Switch                         |
| 28  | 58-111-SP | Solid Bowl Feeder                    |
| 29  | 63-80     | Inlet Barb 3/8"                      |

# DEMA® MODEL 581-SP

## SOLID BOWL FEEDER

(MOUNTED ON A BOARD)



| NO. | PART NO.   | DESCRIPTION                    |
|-----|------------|--------------------------------|
| 1   | 44-123-14B | Valve Assembly Less Cover      |
| 2   | 41-9-5-2   | Solenoid Coil – 12 VDC         |
| 3   | 41-16-7    | Screw (3 Req'd)                |
| 4   | 41-41      | Nylon Washer                   |
| 5   | 44-135-1   | Flange                         |
| 6   | 41-34      | Spacer Ring                    |
| 7   | 41-7-25    | Enclosing Tube                 |
| 8   | 61-78      | Valve Repair Kit               |
| 9   | 41-1-8     | Kick-Off Spring                |
| 10  | 41-10-11   | Plunger                        |
| 11  | 41-15-5    | Diaphragm                      |
| 12  | 58-29      | Male Elbow Compression Fitting |

| NO. | PART NO. | DESCRIPTION                           |
|-----|----------|---------------------------------------|
| 13  | 41-36-1  | Strainer Screen                       |
| 14  | 23-27    | O-Ring Seal (Buna-N)                  |
| 15  | 41-35-2  | Screen Cap                            |
| 16  | 58-6-2   | ¼" O.D. x 2" Tube                     |
| 17  | 58-103-2 | J.G. Straight Fitting ¼ x ¼ (Plastic) |
| 18  | 73-13-2  | Pressure Regulator w/2 Gauge Ports    |
| 19  | 73-14-1  | Ball Valve                            |
| 20  | 73-15-1  | Mounting Bracket                      |
| 21  | 44-116-2 | HiLo Screw (#8 x 3/8" Lg.) (4 Req'd)  |
| 22  | 58-60    | #6 Stainless Hi Lo Screw ½" Lg.       |
| 23  | 73-17-1  | Solenoid Cover                        |