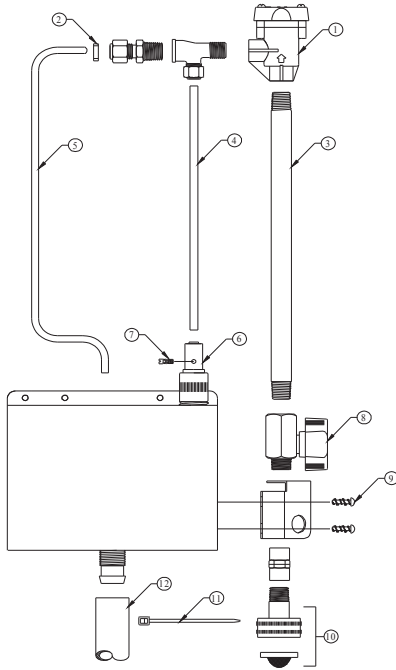
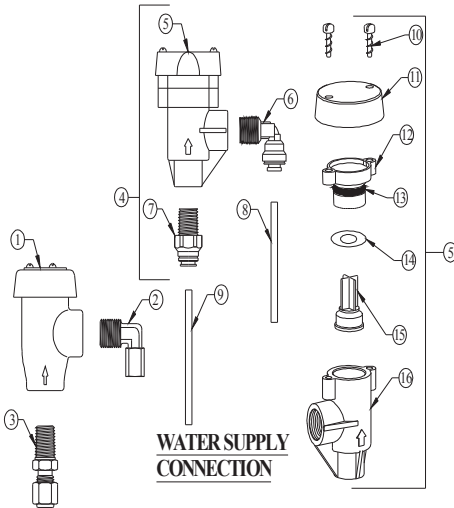


DEMA 581-1BV

MANUAL SOLID BOWL FEEDER



NO.	PART NO.	DESCRIPTION
1	58-1	Vacuum Breaker
2	58-92	Flow Disc
3	58-83	1/4" X 12d" Pipe
4	58-6	Stainless Steel Tube (8" Long)
5	58-77	Formed Copper Tube
6	85-13B-2	Spray Arm Assembly
7	100-24	Metering Screw w/O-Ring
8	65-7	Ball Valve
9	44-116-2	#8-18 X 3/8" Lg. Hi-Lo Screw (2 Req'd)
10	16-1	Water Inlet Assembly
11	81-16-1	Tie Wrap
12	58-7	4' Long Tubing



NO.	PART NO.	DESCRIPTION
1	61-93	Vacuum Breaker 1/4" (Brass)
2	58-54-4	Compression Elbow (Brass)
3	58-53-8	Compression Fitting (Brass)
4	58-2	Vacuum Breaker w/J.G. Fittings (Plastic)
5	58-1	Vacuum Breaker (Plastic)
6	58-104-2	J.G. Elbow Fittings 1/4" X 1/4" (Plastic)
7	58-103-2	J.G. Straight Fittings 1/4" X 1/4" (Plastic)
8	58-6	Stainless Steel Tube 1/4" X 8" Lg.
9	58-58	Plastic Tubing 1/4" O.D. X 2" Lg. (LDPE)
10	24-67	#8 HiLo Screw 1"
11	58-23	Splash Guard
12	58-87	Vacuum Seat
13	58-51	O-Ring (E.P.)
14	58-86	Rubber Washer (E.P.)
15	58-21	Vacuum Poppet
16	58-20	Vacuum Breaker Body
17	85-13B-2	Spray Arm Assembly
18	58-8	Compression Nut
19	58-112-2	Top Fittings w/O-Ring (Brass)
20	100-24	Metering Screen Assembly
21	58-9	O-Ring Only (EP)
22	58-28	Spring
23	58-113-1	Ball (Teflon)
24	58-18	Spray Arm
25	44-116-2	#8-18 X 3/8" Lg. Screw (1 Req'd)
26	58-14	Arm Plug
27	58-109-1	Hex Socket
28	58-27	Safety Paddle
29	58-16-2	Spray Nozzle 1/8" NPT
30	24-31-5	Backup Washer

