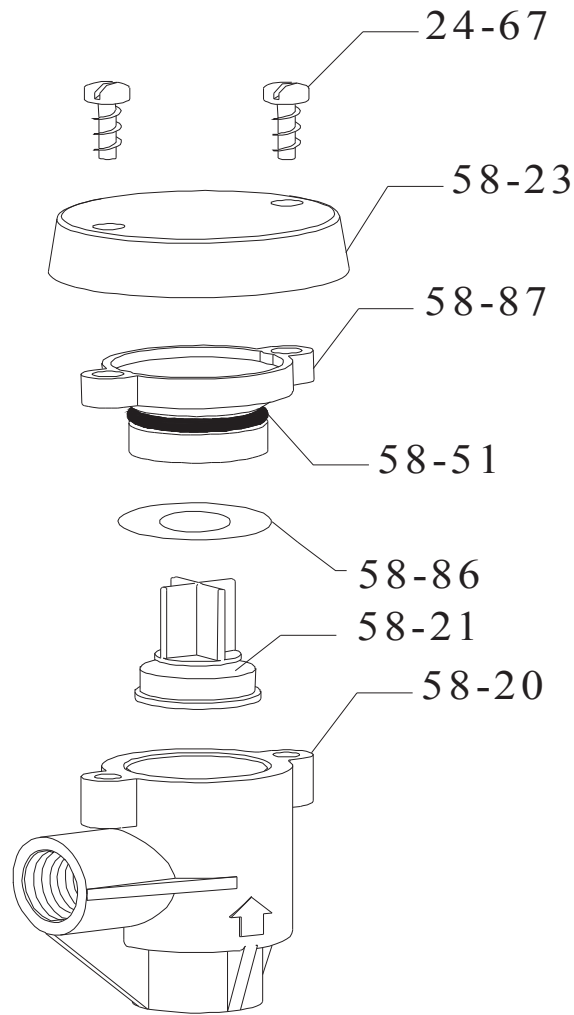


DEMA MODEL 58-1 ANTI-SIPHON VACUUM BREAKER



PART NO.	DESCRIPTION
24-67	#8 HI-LO SCREW
58-20	VACUUM BREAKER BODY
58-21	VACUUM BREAKER POPPET
58-23	SPLASH GUARD
58-51	O-RING
58-86	RUBBER WASHER
58-87	VACUUM SEAT