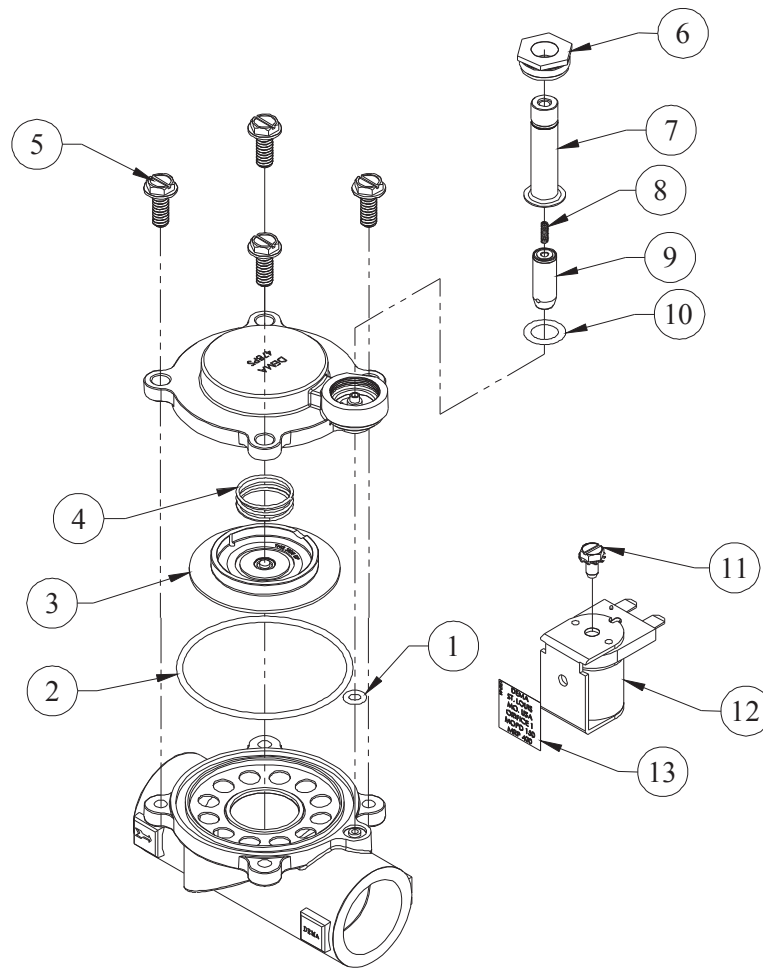


# DEMA NORMALLY CLOSED SOLENOID VALVE Model 478PS



**FIGURE 1**

NO.	PART NO.	DESCRIPTION
1	24-49	O-Ring (Buna-N)
2	41-12-7	O-Ring (Buna-N)
3	41-15-11	Diaphragm Assy.– Buna-N (For 478PS-B)
4	41-4-6	Spring
5	41-16-10	Hex Machine Screw
6	49-5	Tube Nut
7	49-4	Enclosing Tube Assy.
8	49-7	Kick-Off Spring
9	49-3-B	Plunger Assy. - Buna-N (For 478PS-B)
10	41-5-8	O-Ring (Buna-N)
11	41-14-1	Top Plug Screw
12	41-9-7B-3	Coil & Bracket Assy. (24V 60Hz)
	41-9-7B-6	Coil & Bracket Assy. (120V 60Hz)
	41-9D-7-21	Din Coil (230 V 50 Hz) – Not Shown
13	L767-64	Label (For 24V & 120V 60 Hz only)
14	41-56-2	Repair Kit (For 478PS-B) – Not Shown