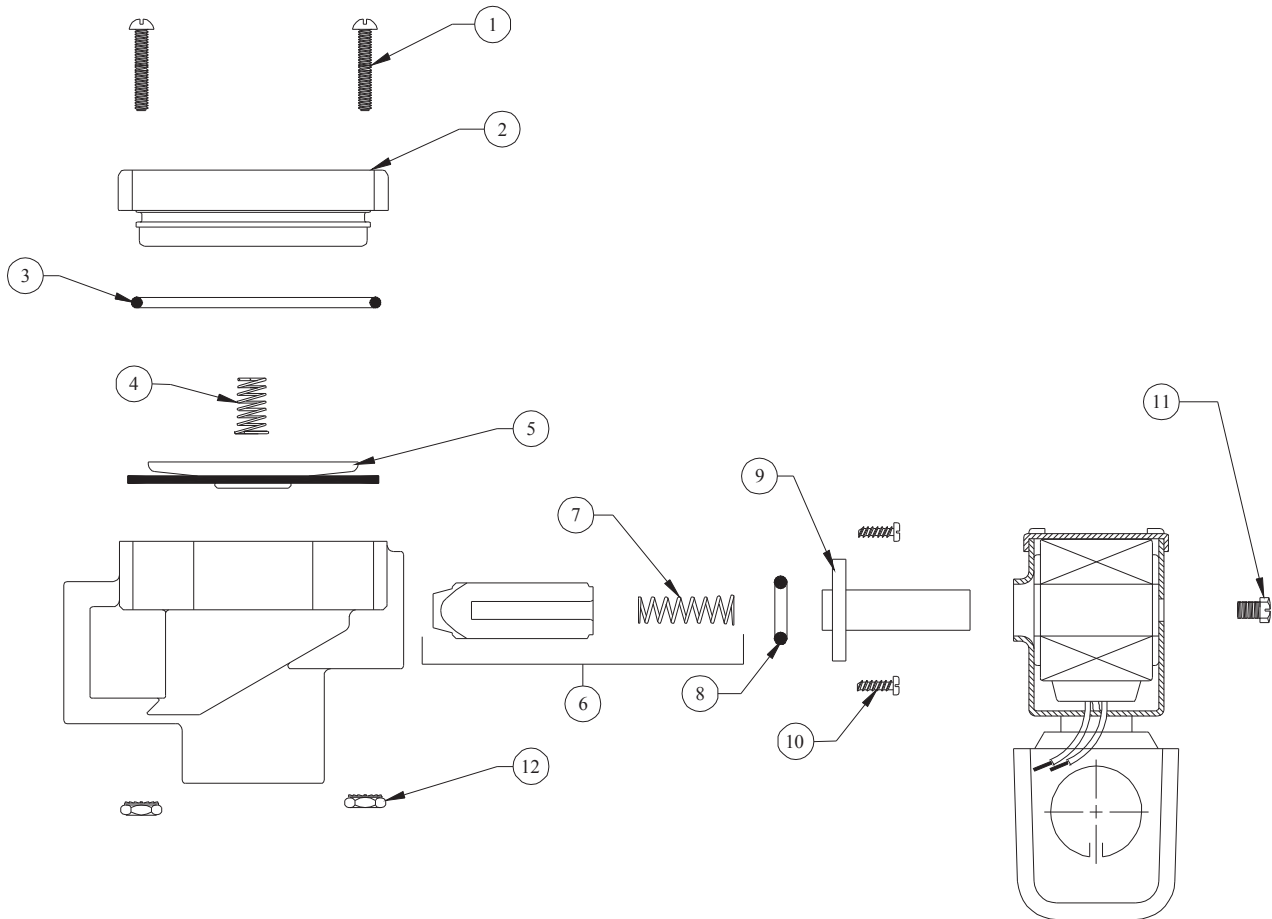


DEMA MODEL 466P SOLENOID VALVE



NO.	PART NO.	DESCRIPTION
1	36-33-4	Screw, Rd Head #8-32 x 1-1/4" Lg. (4 Required)
2	36-27-2	Lid
3	36-3	Valve Cover O-Ring
4	36-4	Closing Spring
5	66-2V	Diaphragm Assy. (Viton)
6	41-2-1	Solenoid Plunger Assy. with Spring
7	41-1-1	Plunger Kickoff Spring
8	26-52	Enclosing Tube O-Ring
9	41-7-9	Enclosing Tube Assy.
10	58-60	Screw Rd. Head #6-32 X 3/8" Lg. (4 Required)
11	41-14-1	Screw, Hex Head, #10-32 X 5/16" Lg.
12	36-32-1	Hex Nut