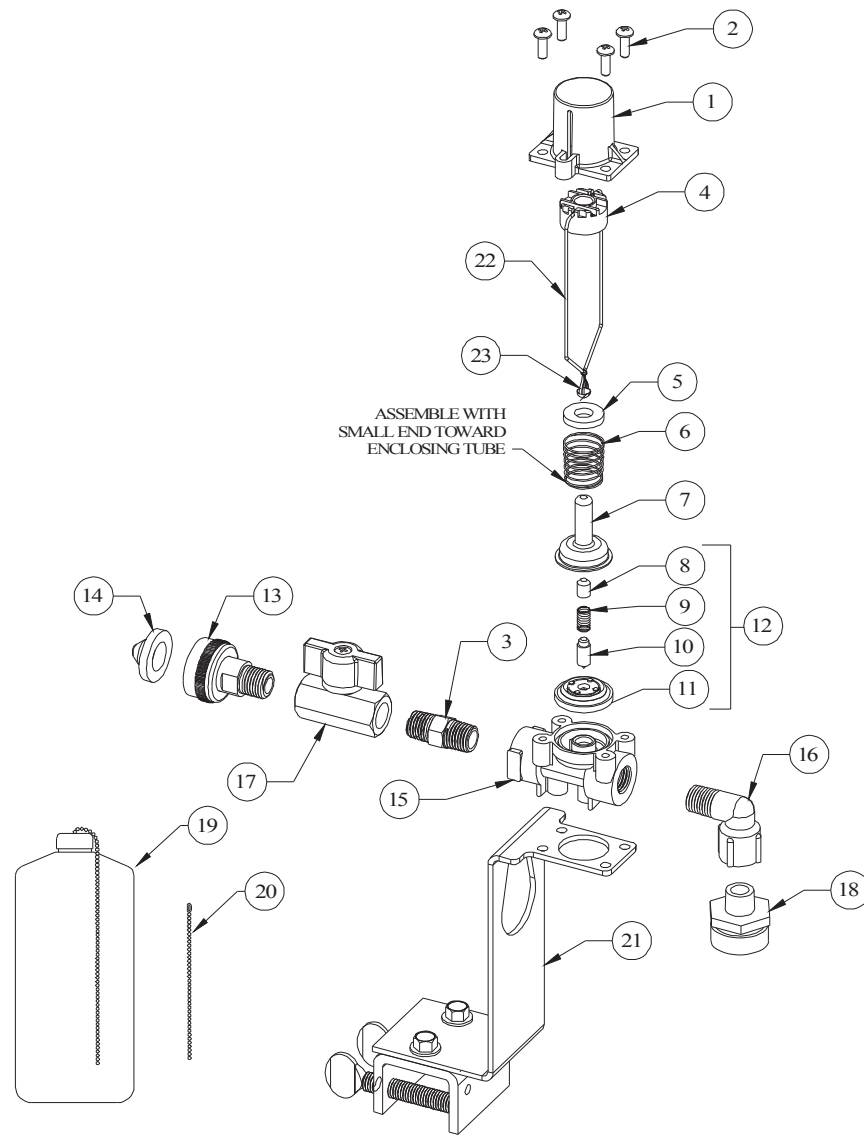


WATCH GUARD MODEL 440N



NO.	PART NO.	DESCRIPTION
1	35-44	Magnet Housing
2	44-116-1	Screws
3	--	1/4" Hex Nipple
4	35-43	Magnet Holder
5	63-35	Magnet
6	35-33	Spring
7	41-7-25	Enclosing Tube
8	63-37	Spacer
9	41-1-8	Spring
10	63-38	Plunger
11	41-15-10	Diaphragm
12	63-87	Valve Repair Kit

NO.	PART NO.	DESCRIPTION
13	61-120	Inlet Hose Adapter
14	100-38	Inlet Strainer
15	35-36	Valve Body
16	50-63	Street Elbow
17	16-11	Ball Valve
18	61-122-2	Adapter (MGHT x 1/4" MNPT)
19	35-18	Float Assembly
20	34-17	16" Chain W/Connector
21	35-34	Mounting Bracket Assembly
22	35-42	Float Hanger Wire
23	35-12	Float Hanger Clip