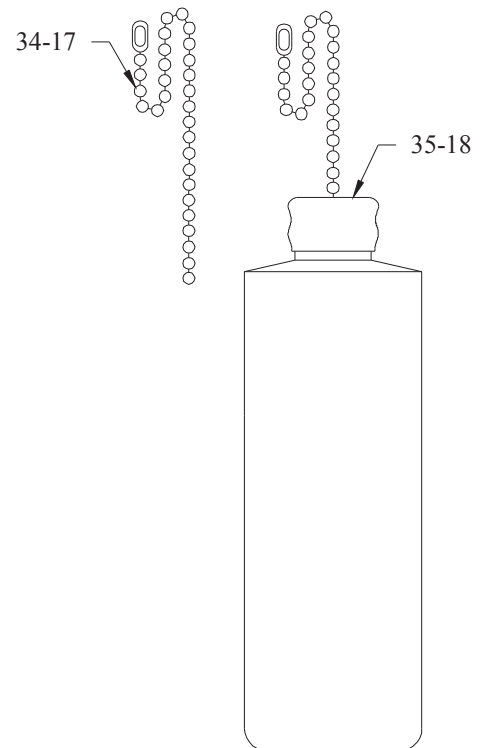
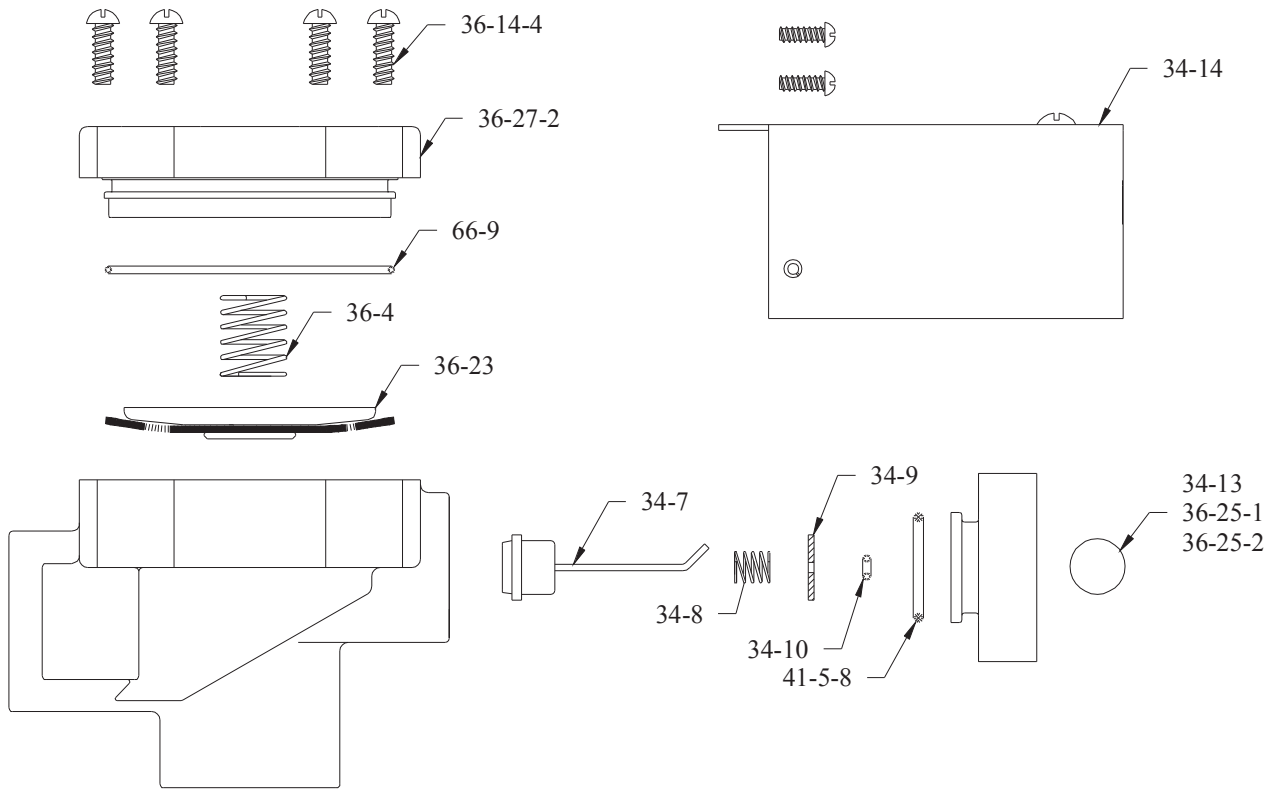


# DEMA FLOAT VALVE

## MODEL 436PN



PART NO.	DESCRIPTION
34-7	PILOT VALVE DISC STEM ASSY.
34-8	PILOT VALVE SPRING
34-9	PILOT VALVE PLATE
34-10	PILOT VALVE STEM O-RING
34-13	STEM NUT W/ SET SCREW
34-14	LEVER ASSEMBLY
34-17	16" CHAIN W/ CONNECTOR
34-24	PILOT VALVE ASSEMBLY
35-18	FLOAT ASSEMBLY
36-4	CLOSING SPRING
36-14-4	VALVE COVER SCREWS (4-REQD)
36-23	DIAPHRAGM ASSEMBLY
36-25-1	STEM NUT
36-25-2	STEM NUT SET SCREW
36-27-2	VALVE COVER W/ O-RING
41-5-8	PILOT VALVE COVER O-RING
66-9	VALVE COVER O-RING