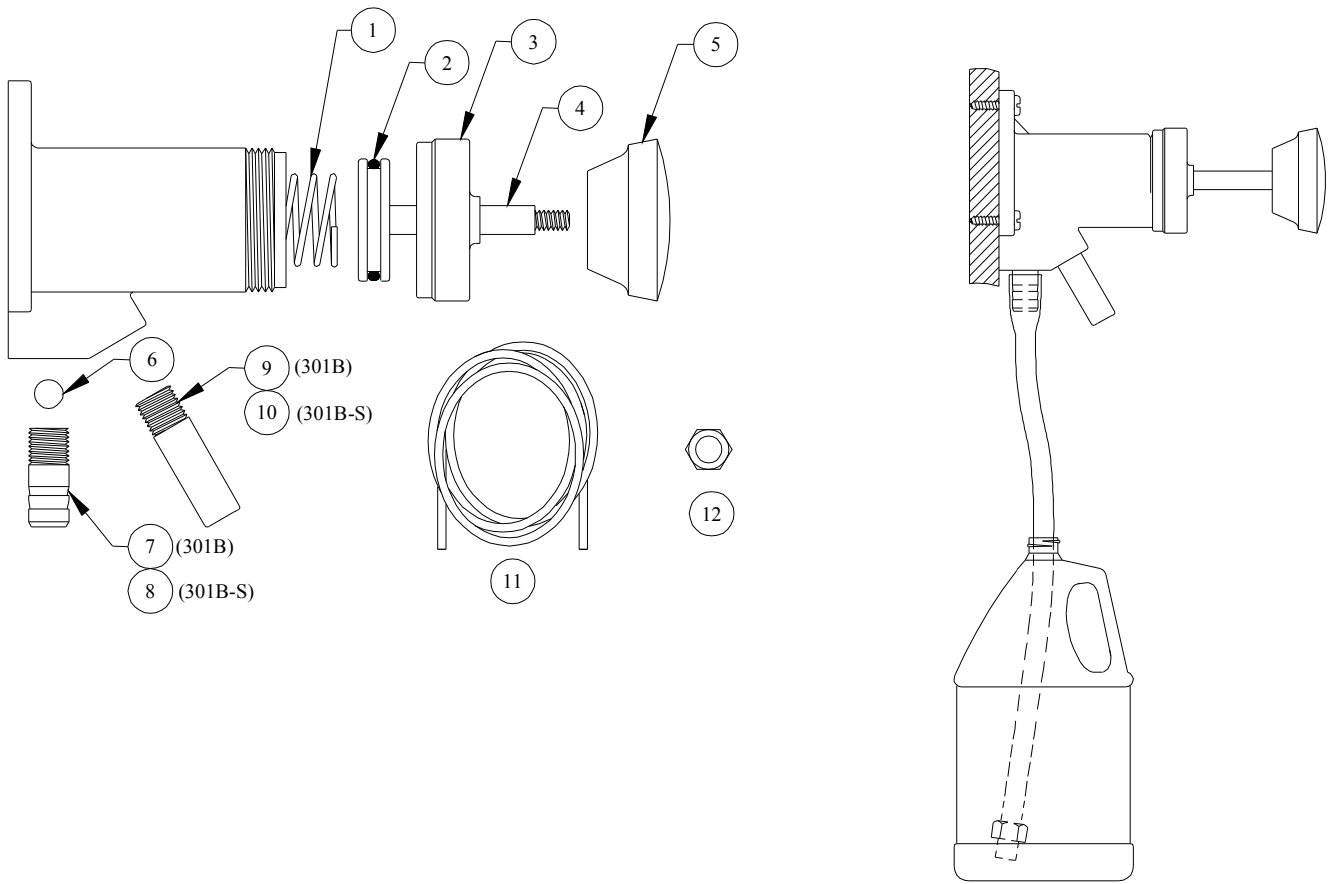


DEMA SURE-MEASURE DISPENSER MODEL 301B, 301B-S



NO.	PART NO.	DESCRIPTION
1	30-7	Spring
2	30-5	O-Ring
3	30-11	Cap
4	30-12	Piston Assembly w/O-Ring
5	30-3	Push Knob
6	30-2	Check Valve Ball
7	30-8	Inlet Fitting (301B)
8	30-8S	Inlet Fitting-Stainless Steel (301B-S)
9	30-10	Outlet Check Valve Assy. (301B)
10	30-10S	Outlet Check Valve Assy.-Stainless Steel (301B-S)
11	100-12L	3/8" ID x 1/2"OD x 8' Lg. Supply Tubing
12	30-23	Weight