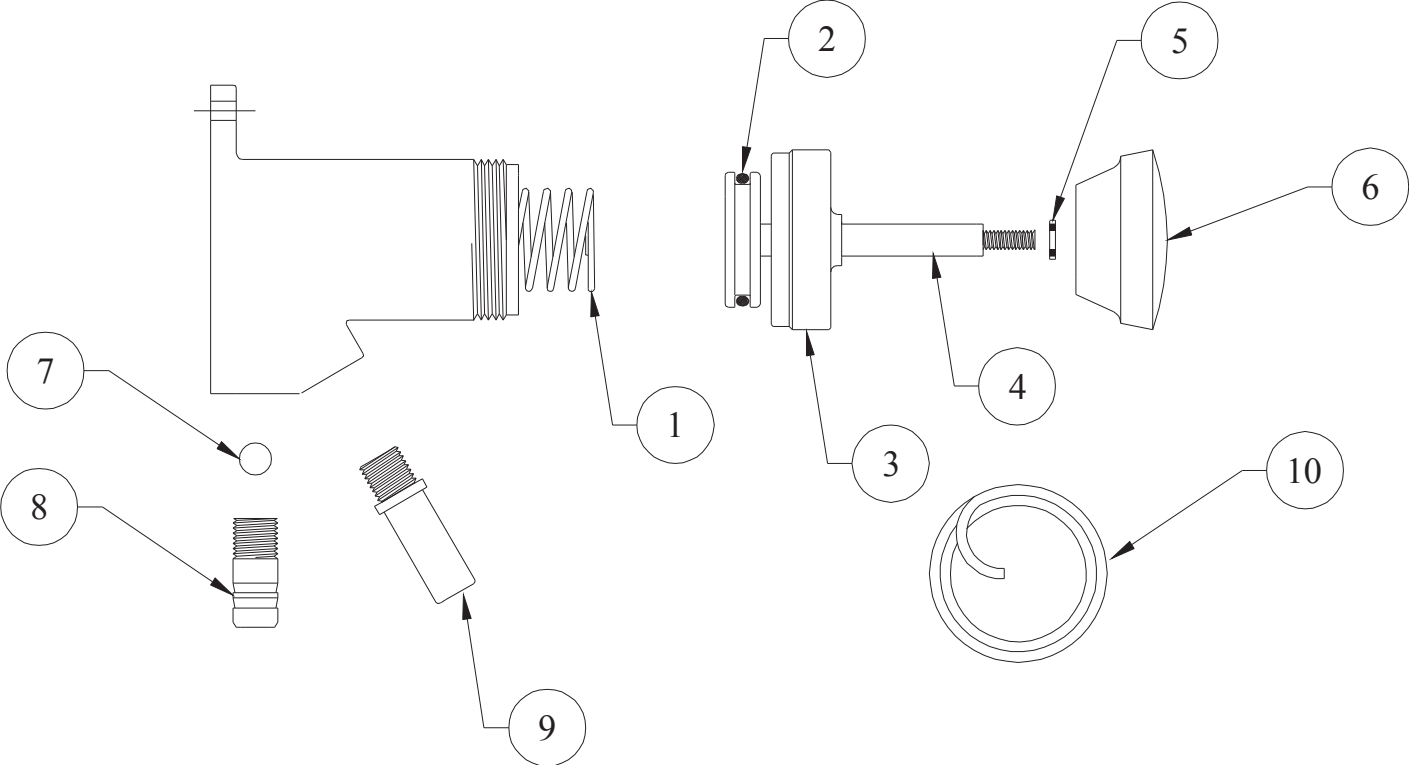


SURE-MEASURE DISPENSER, MODEL 301B-C



| NO. | PART NO. | DESCRIPTION |
|-----|----------|--------------------------|
| 1 | 30-7-2 | Spring |
| 2 | 30-5V | O-Ring - Viton |
| 3 | 30-11 | Cap |
| 4 | 30-12-2 | Piston Assy. with O-Ring |
| 5 | 44-29 | Lockwasher |
| 6 | 30-3-3 | Push Knob – Yellow |
| 7 | 30-2-2 | Check Ball Valve |
| 8 | 30-8-2 | Inlet Fitting |
| 9 | 30-10-2 | Outlet Check Valve Assy. |
| 10 | 100-12L | Supply Tubing, 8' Long |