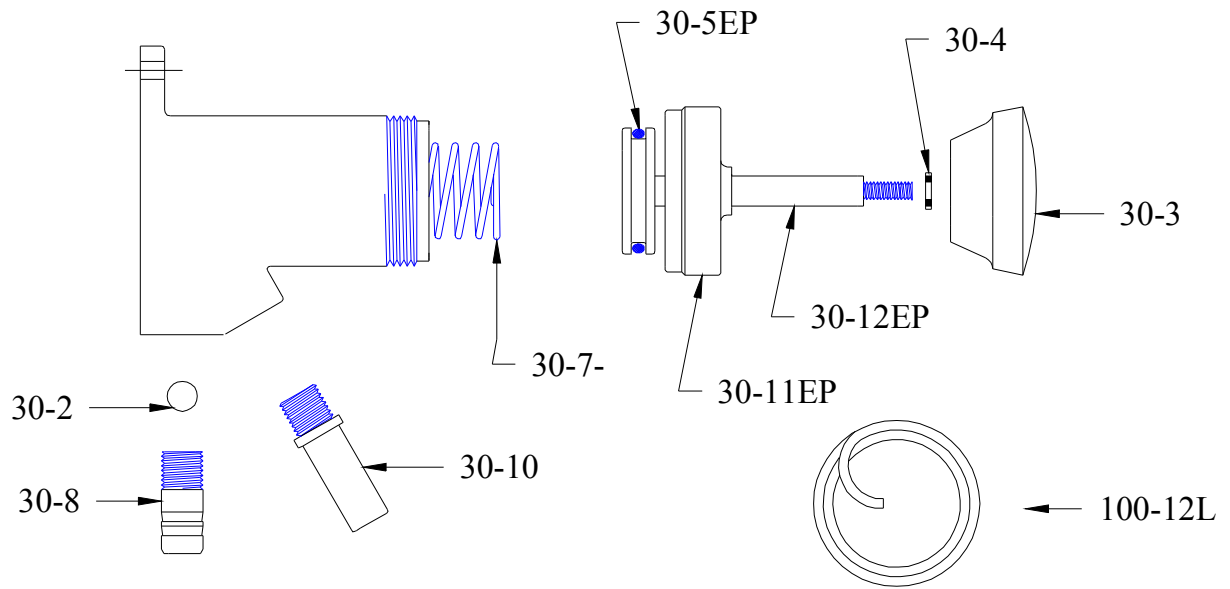


SURE-MEASURE DISPENSER, MODEL 301B-EP



PART NO.	DESCRIPTION
30-2	CHECK BALL VALVE
30-3	PUSH KNOB
30-4	LOCKWASHER
30-5EP	O-RING
30-7	SPRING
30-8	INLET FITTING
30-10	OUTLET CHECK VALVE ASSY.
30-11EP	CAP
30-12EP	PISTON ASSY WITH O-RING
100-12L	SUPPLY TUBING, 8' LONG