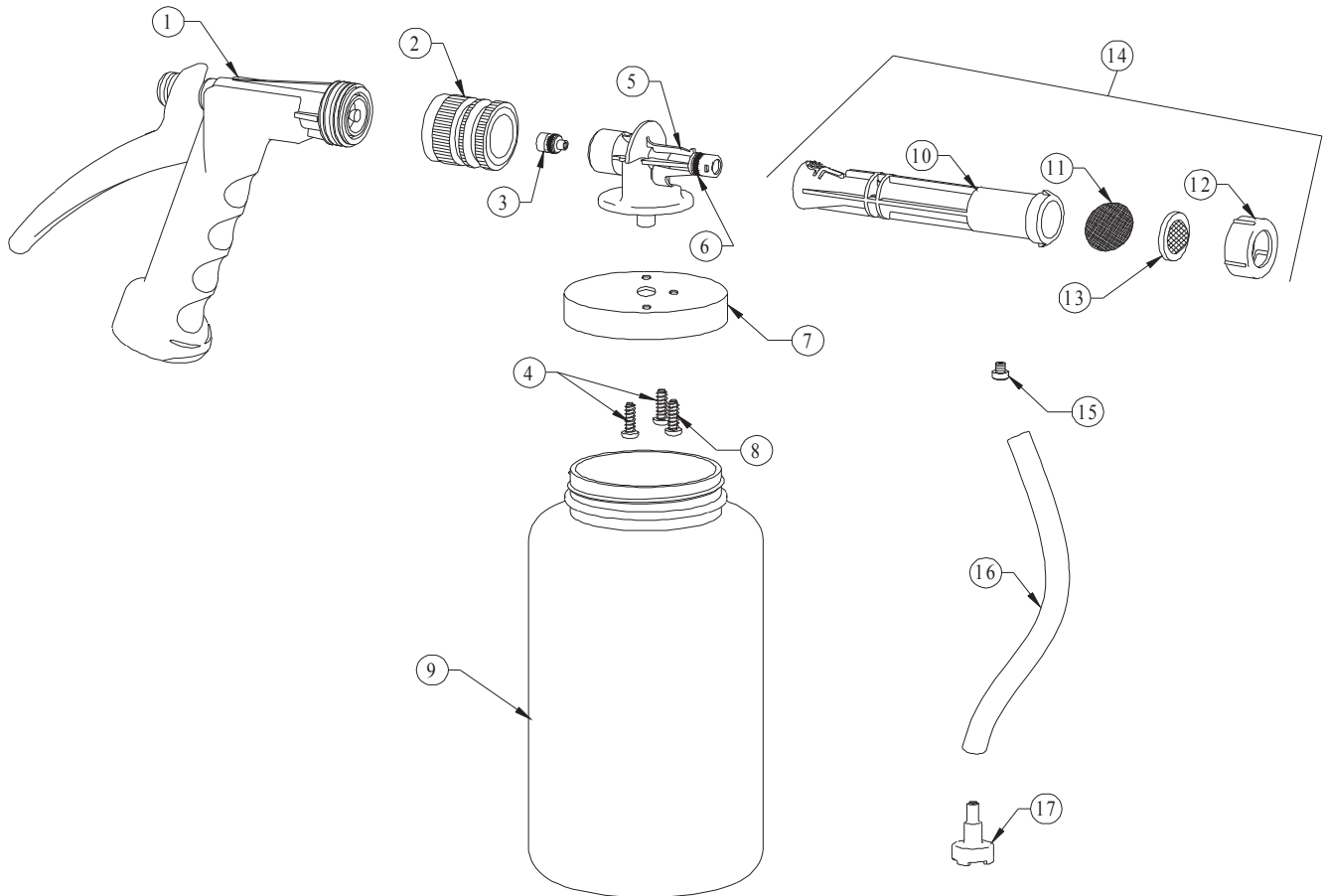


MODEL: 289 PROFOAM



NO.	PART NO.	DESCRIPTION
1	28-1	Spray Gun
2	97-27	Quick Disconnect
3	24-8-8	Water Nozzle
4	44-116-1	Screw 1/2" Lg.
5	28-13	Pro Foam Gun Assembly
6	24-25	O-Ring
7	28-6	Bottle Cap
8	44-116-2	Screw 3/8" Lg.
9	28-7	Bottle

NO.	PART NO.	DESCRIPTION
10	28-4	Pro Foam Wand
11	28-12	Internal Screen
12	28-5	End Cap
13	150-34	Strainer Washer
14	28-400-1	Wand Assembly
15	100-15K	Metering Tip Kit
16	100-12-7	Vinyl Tubing
17	24-11SP	Strainer Washer (80-Mesh)